

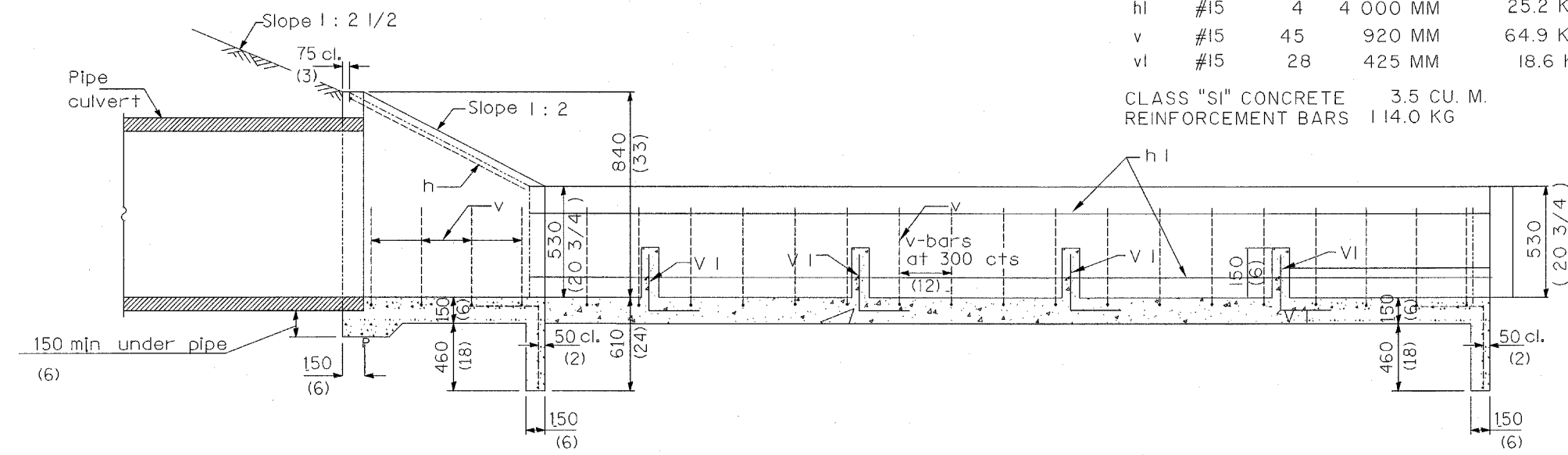
ROUTE NO.	SECTION NO.	TOTAL SHEET NO.	SHEET NO.
F.A.U. 6578	03-00019-11-FP	98	35A
FED. ROAD DIST. NO.	COUNTY	PROJECT	
	PEORIA ILLINOIS	M-5093 (104)	

CONTRACT NO. 89369

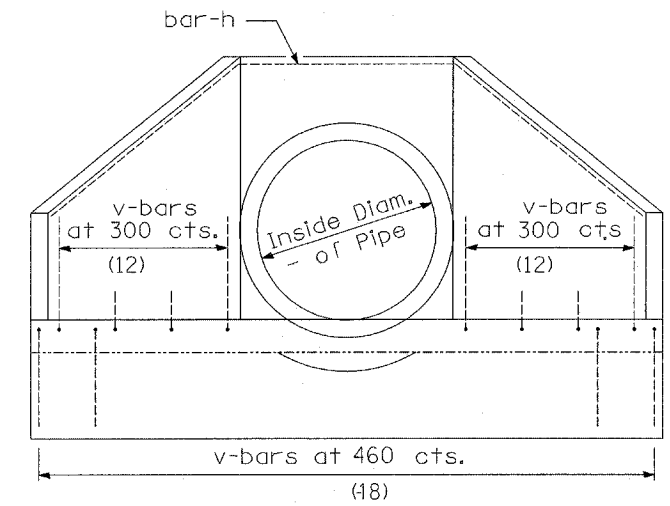
**BILL OF MATERIALS**

MARK	SIZE	NO.	LENGTH	TOTAL WEIGHT
h	#15	1	3 380 MM	5.3 KG
hl	#15	4	4 000 MM	25.2 KG
v	#15	45	920 MM	64.9 KG
vl	#15	28	425 MM	18.6 KG

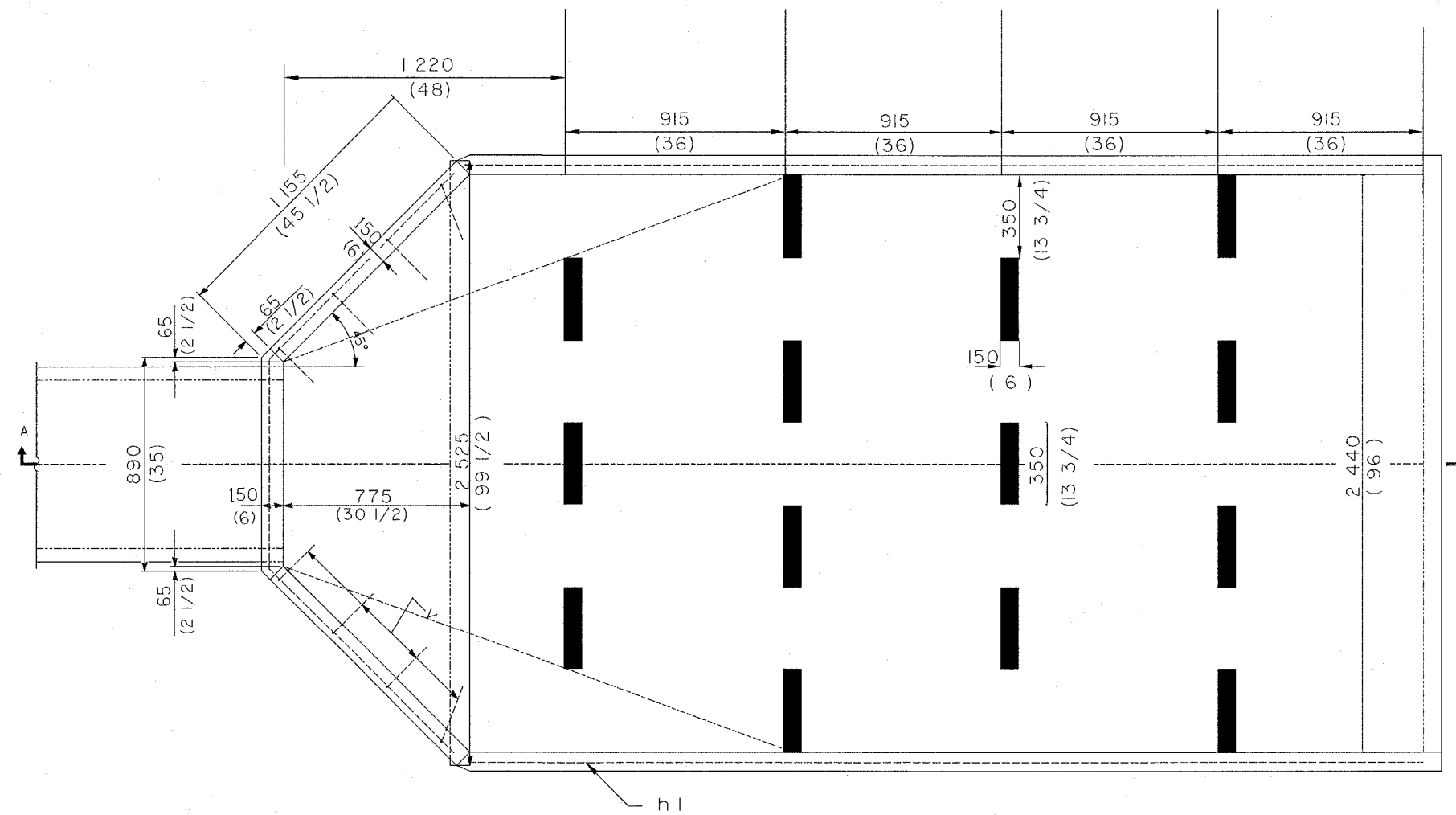
CLASS "SI" CONCRETE 3.5 CU. M.  
REINFORCEMENT BARS 114.0 KG



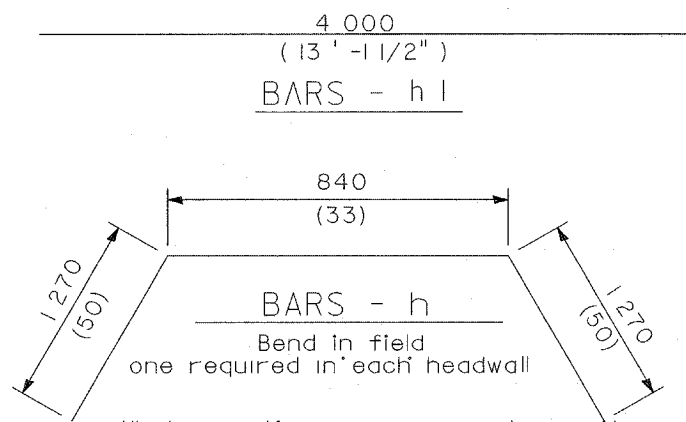
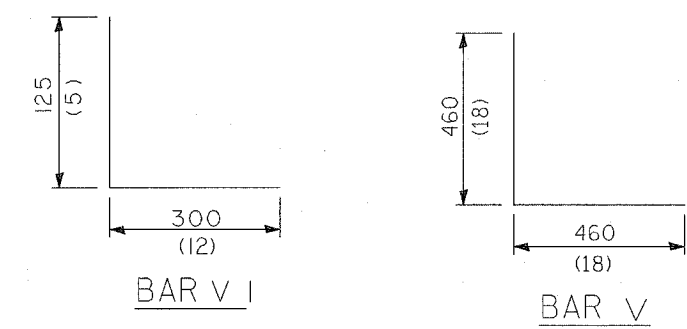
SECTION A-A



END VIEW



PLAN



All slope ratios are expressed as units of vertical displacement to units of horizontal displacement (V:H).  
All dimensions are in millimeters (inches) unless otherwise shown.

NOT TO SCALE

PEORIA COUNTY HIGHWAY DEPARTMENT  
ENERGY DISSIPATOR  
STA. 10+138.875, 9.5 M RT.  
AIRPORT ROAD / PFEIFFER ROAD  
SEC. 03-00019-11-FP