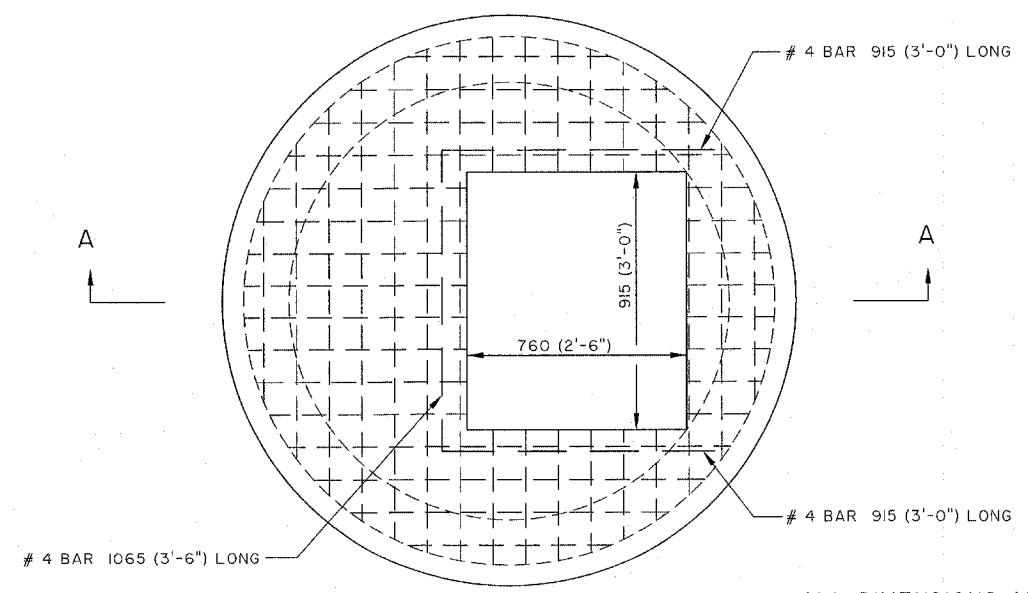
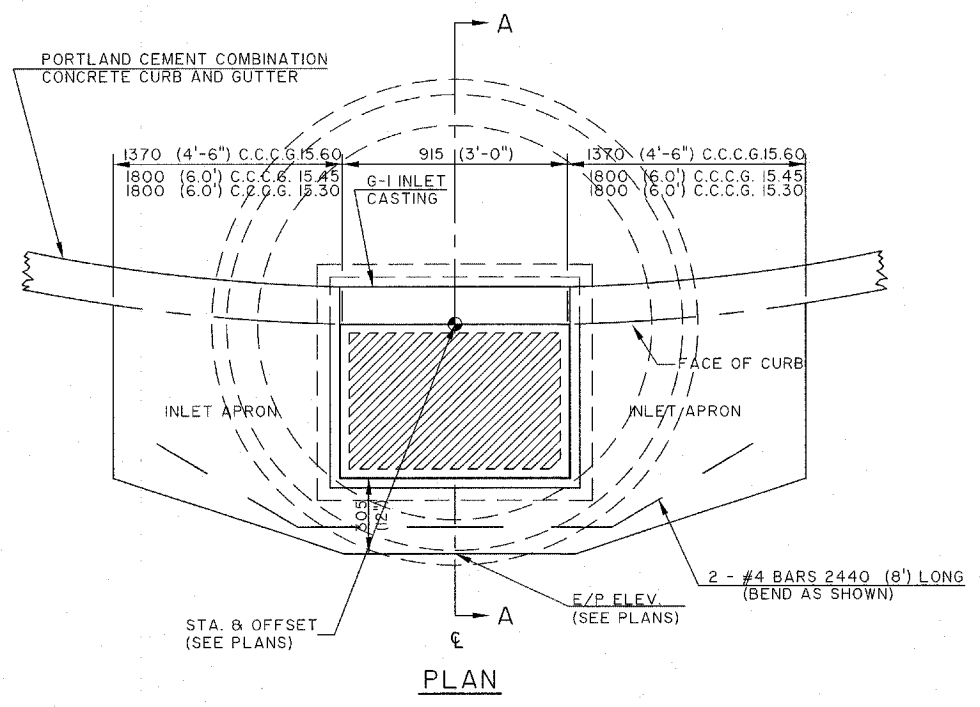
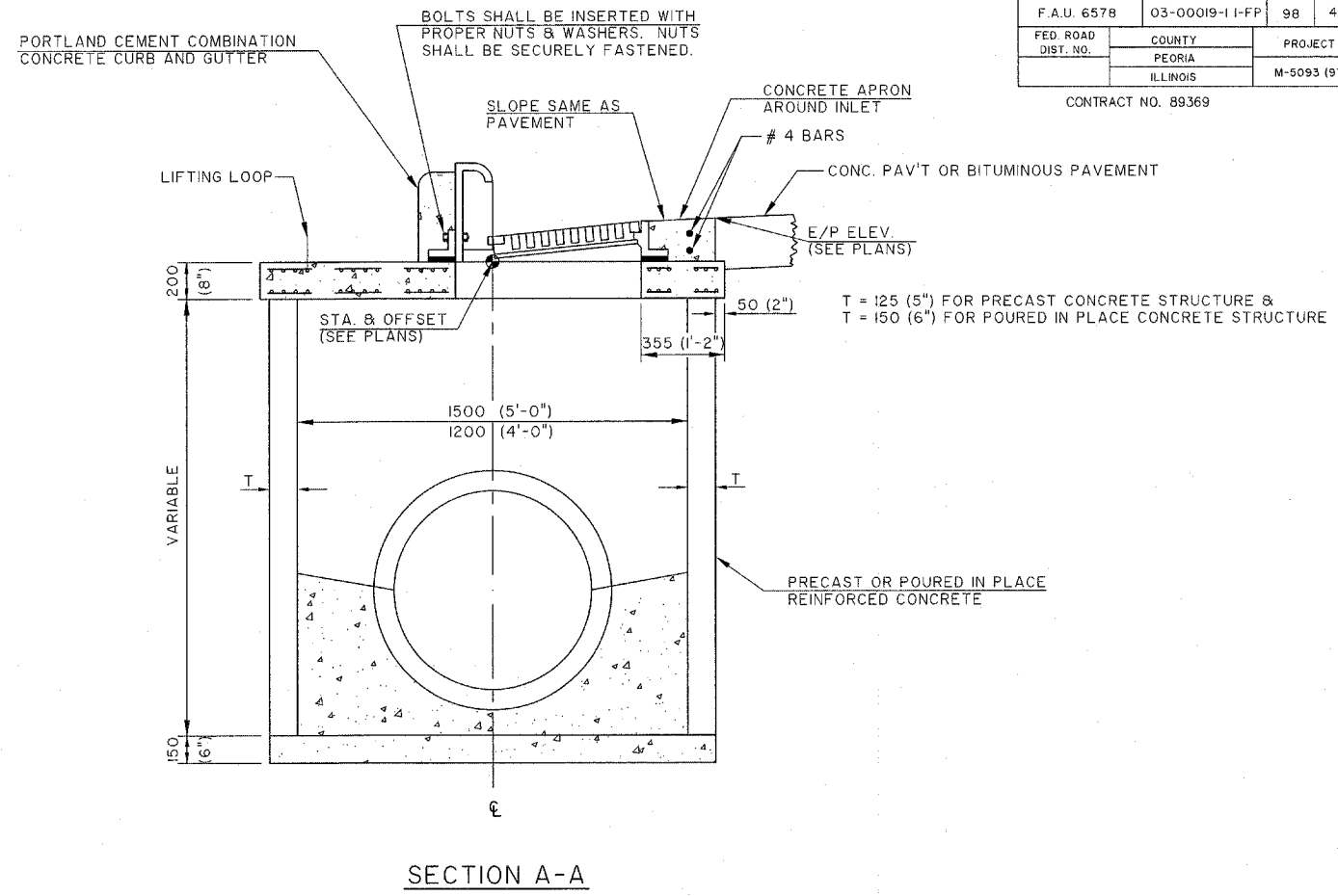
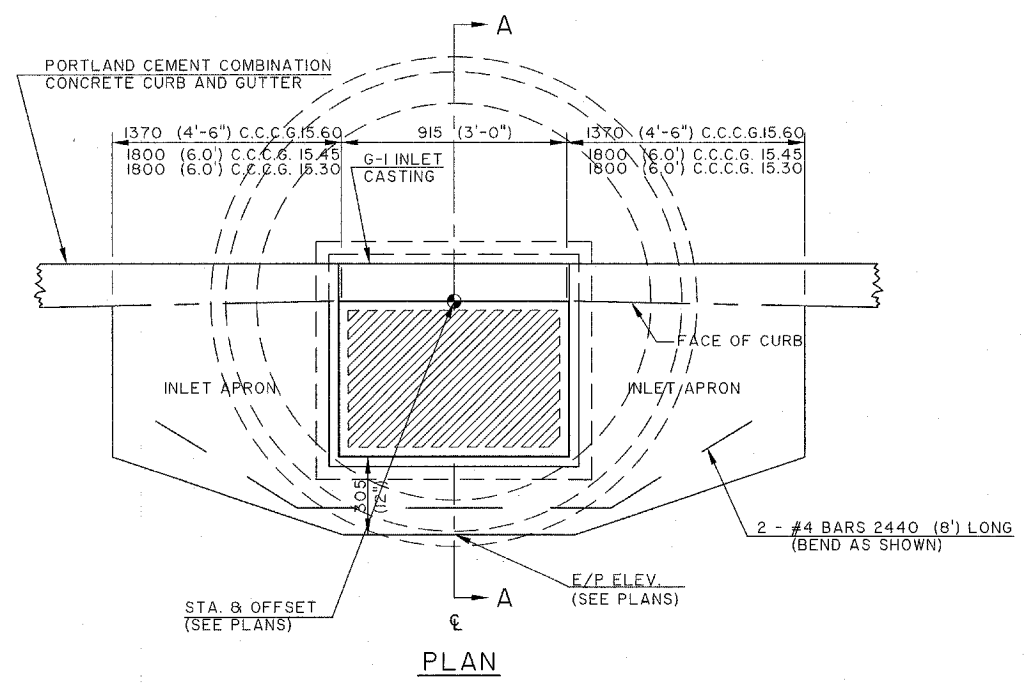


ROUTE NO.	SECTION NO.	TOTAL SHEET NO.
F.A.U. 6578	03-00019-1 I-FP	98 42
FED. ROAD DIST. NO.	COUNTY	PROJECT
	PEORIA	M-5093 (97)
ILLINOIS		

CONTRACT NO. 89369



NOTE: SEE STANDARD 602601 FOR REINFORCEMENT DETAILS

ALL DIMENSIONS ARE IN MILLIMETERS (INCHES) UNLESS OTHERWISE SHOWN

**PRECAST REINFORCED CONCRETE
FLAT SLAB TOP
(FOR MANHOLE)**

PEORIA COUNTY HIGHWAY DEPT.
INLET MANHOLE, INLET TY. G-I AND
INLET TYPE G-I SPECIAL DETAILS
SHEET 2 OF 3
AIRPORT ROAD

NOTES

ALL CONCRETE USED FOR CONSTRUCTION OF THE INLET MANHOLE SHALL BE CLASS "SI" CONCRETE.

THIS ITEM SHALL INCLUDE THE INLET MANHOLE COMPLETE IN PLACE AS INDICATED HEREIN, INCLUDING INLET CASTINGS, NECESSARY EXCAVATION, PRECAST REINFORCED CONCRETE MANHOLE PIPE RINGS, REINFORCEMENT BARS, AND EXPANSION JOINT MATERIAL.

THIS ITEM SHALL BE PAID FOR AT THE CONTRACT UNIT PRICE FOR INLET MANHOLE WHICH SHALL INCLUDE ALL LABOR AND MATERIALS NECESSARY TO PERFORM THIS WORK AS INDICATED.

P.C.H.D. INLET MANHOLE, INLET TY. G-I DETAILS
AUTOCAD DRAWING BY J.G. 7-25-1998
ADD STA. & OFFSET, (CONTROL POINTS), E/P . AND
OTHER CORRELATED REVISIONS BY A.D. 07-27-1998
ADD CCCG 15.30, CCCG 15.45 DETAILS, CURB BEHIND INLET
AND OTHER CORRELATED REVISIONS BY A.D. 01-31-2005