

SUMMARY OF QUANTITIES

CONSTRUCTION TYPE CODE X081-2A

ROUTE NO.	SECTION	COUNTY	SHEET NO.	SHEET
C.H. 2	*	FULTON	14	2
FED. PROJ. NO.		ILLINOIS	FED. PROJ. NO.	BR-S-452(115)
STATE PROJ. NO.		*04-00130-00-BR		

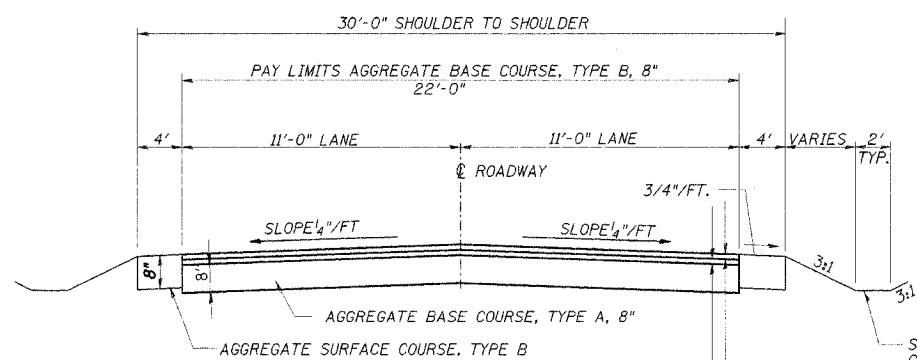
CONTRACT #89373

CODE NO.	ITEM	UNIT	TOTAL QUANTITIES
20100500	TREE REMOVAL, ACRES	ACRE	0.30
*20200100	EARTH EXCAVATION	CU. YD.	227
*20400800	FURNISHED EXCAVATION	CU. YD.	501
21101615	TOPSOIL FURNISH & PLACE, 4"	SQ. YD.	5179
25000200	SEEDING, CLASS 2	ACRE	1.07
25000400	NITROGEN FERTILIZER NUTRIENT	POUND	65
25000500	PHOSPHORUS FERTILIZER NUTRIENT	POUND	65
25000600	POTASSIUM FERTILIZER NUTRIENT	POUND	65
25100115	MULCH, METHOD 2	ACRE	1.07
28000250	TEMPORARY EROSION CONTROL SEEDING	POUND	400
28000300	TEMPORARY DITCH CHECKS	EACH	8
28000400	PERIMETER EROSION BARRIER	FOOT	620
35100700	AGGREGATE BASE COURSE, TYPE A, 8"	SO. YD.	611
*40200800	AGGREGATE SURFACE COURSE, TYPE B	TON	149
40300100	BITUMINOUS MATERIALS PRIME COAT	GALLON	279
40600300	AGGREGATE PRIME COAT	TON	0.91
*50100100	REMOVAL OF EXISTING STRUCTURES	EACH	1
50104650	SLOPE WALL REMOVAL	SQ. YD.	620
50105220	PIPE CULVERT REMOVAL	FOOT	30
50200100	STRUCTURE EXCAVATION	CU. YD.	384
50300225	CONCRETE STRUCTURES	CU. YD.	215.2
50301200	CONCRETE WEARING SURFACE	SQ. YD.	946
50400505	PRECAST PRESTRESSED CONCRETE DECK BEAMS (27" DEPTH)	SQ. FT.	8,388
50800105	REINFORCEMENT BARS	POUND	14,620
50800205	REINFORCEMENT BARS EPOXY COATED	POUND	12,980
50900205	STEEL RAILING, TYPE S-1	FOOT	600
51201400	FURNISHING STEEL PILES, HP 10 X 42	FOOT	3,080
51202700	DRIVING STEEL PILES	FOOT	3,080
51203400	TEST PILE, STEEL HP 10 X 42	EACH	6
51204600	METAL SHOES	EACH	44
51500100	NAME PLATE	EACH	1
63000000	STEEL PLATE BEAM GUARDRAIL, TYPE A	FOOT	100
63100075	TRAFFIC BARRIER TERMINAL, TYPE 5A	EACH	4
63200310	GUARDRAIL REMOVAL	FOOT	253
67100100	MOBILIZATION	LSUM	1.0
LR631020	TRAFFIC BARRIER TERMINAL, TYPE 1	EACH	4
*X0320678	TREE WHIP MIXTURE	EACH	8
X0322903	SAW CUTTING (FULL DEPTH)	FOOT	44
X4066414	BITUMINOUS CONCRETE SURFACE COURSE, SUPERPAVE, MIX "C" N50	TON	68
X4066614	BITUMINOUS CONCRETE BINDER COURSE, SUPERPAVE, MIX "C" IL-19.0 N50	TON	68
*XX004565	GROUTED RIPRAP	SQ. YD.	554
*XX004566	CONCRETE CUT-OFF WALL	CU. YD.	6.5
*XX004567	PIPE CULVERTS, TYPE 1 ALUMINIZED CORRUGATED STEEL PIPE, 18" DIA.	FOOT	50
XX005977	CONTROLLED LOW-STRENGTH MATERIAL (CLSM)	CU. YD.	70
Z0013798	CONSTRUCTION LAYOUT	L. SUM	1.0

*SEE SPECIAL PROVISIONS

NOTES:

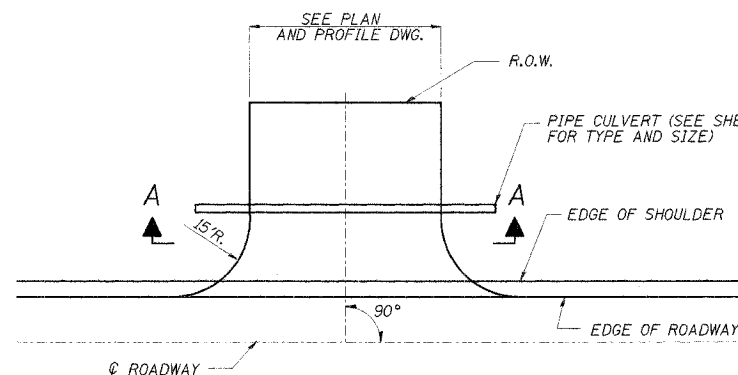
SEE PLAN AND PROFILE SHEET 4 FOR PAVEMENT AND SHOULDER TAPERS.



CONTRACTOR SHALL SAW CUT THE PAVEMENT, FULL DEPTH, FOR THE WIDTH OF THE PAVEMENT AT STATION 9+00.00 AND STATION 14+50.00

PROPOSED TYPICAL CROSS SECTION

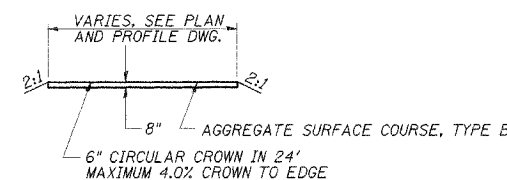
STA. 9+00.00 TO STA. 10+36.87
 STA. 13+39.13 TO STA. 14+50.00



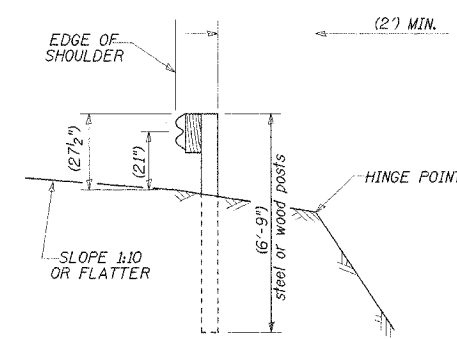
PLAN

FIELD ENTRANCE DETAIL

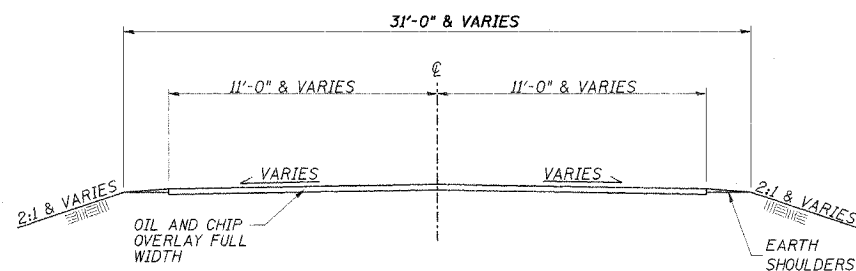
LT STA 10+25.25



SECTION A-A



TYPICAL GUARDRAIL SECTION



EXISTING TYPICAL CROSS SECTION

STA 9+00 TO STA. 10+88
 STA 12+88 TO STA. 14+50

GENERAL NOTES

1. The locations of Existing utilities as shown on the plan are for information only, and are not guaranteed. It shall be the Contractor's responsibility to ascertain their exact location from the utility companies and by field inspection.

DSGN	K.J. Hoffmann				
DR	K.J. Hoffmann				
CHK	K.E. Brandau				
APVD	K.E. Brandau	NO.	DATE	REVISION	BY

FRAUENHÖFFER

Frauenhoffer and Associates, P.C. Consulting Engineers
 3002 Crossing Court Champaign, IL 61822 217-351-6268

SUM. & SCHED. OF QUANTITIES AND TYP. SECTIONS

COUNTY HIGHWAY 2
 SECTION 04-00130-00-BR
 FULTON COUNTY

SHEET	2
DWG NO.	4056-sum.dgn
DATE	OCT 2005
PROJ NO.	4056