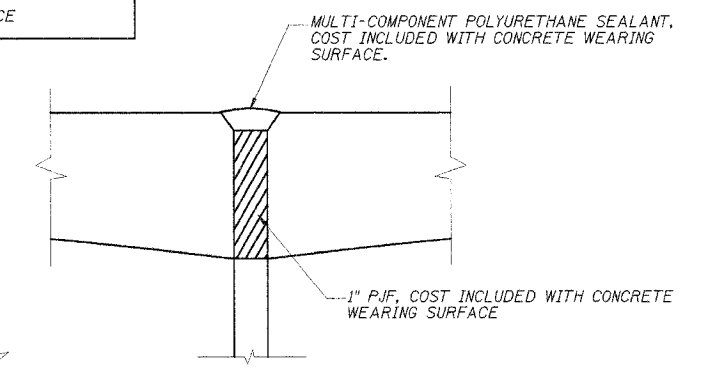
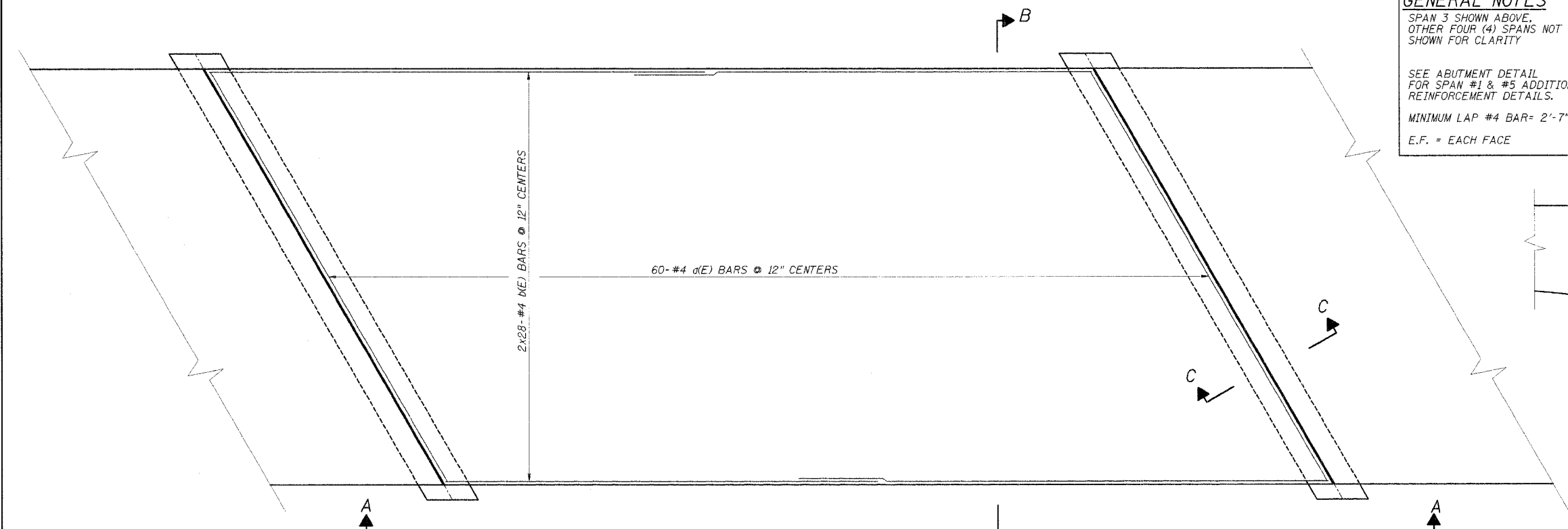


ROUTE NO.	SECTION	COUNTY	TOTAL SHEETS	SHEET NO.
C.H. 2	*	Fulton	14	6
FED. ROAD DIST. NO. 7	ILL. PROJ. NO.	FED. AID PROJECT NO.	BR-5-452(115)	

*04-00130-00-BR
CONTRACT #89373

GENERAL NOTES
 SPAN 3 SHOWN ABOVE,
 OTHER FOUR (4) SPANS NOT
 SHOWN FOR CLARITY
 SEE ABUTMENT DETAIL
 FOR SPAN #1 & #5 ADDITIONAL
 REINFORCEMENT DETAILS.
 MINIMUM LAP #4 BAR= 2'-7"
 E.F. = EACH FACE



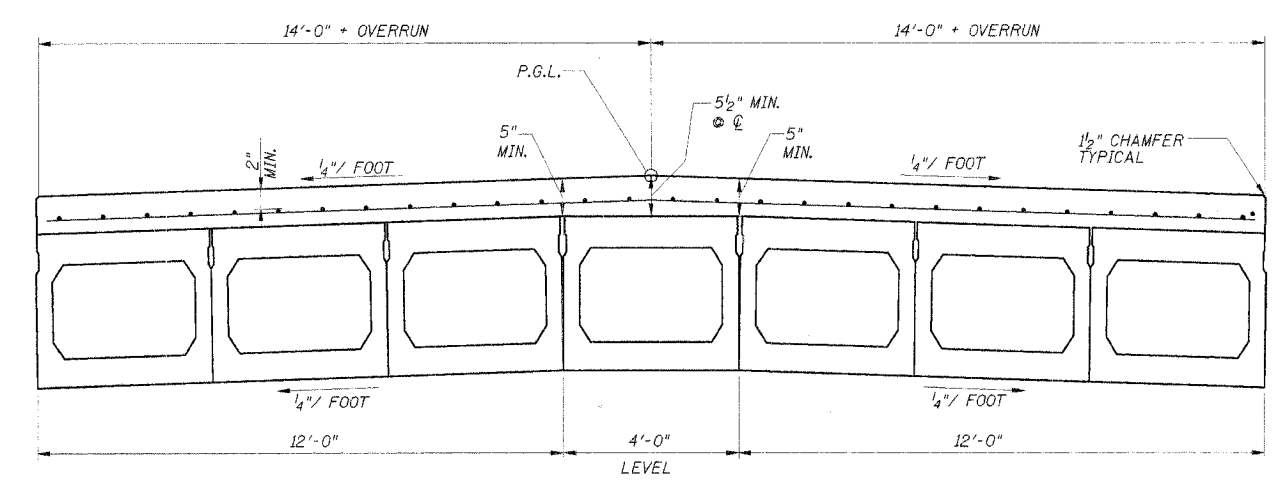
**SECTION C-C
 JOINT DETAIL**

TYPICAL SPAN
 ONE SPAN SHOWN, TYPICAL OF 5 SPANS,
 EXCEPT AS SHOWN IN THE ABUTMENT DETAIL

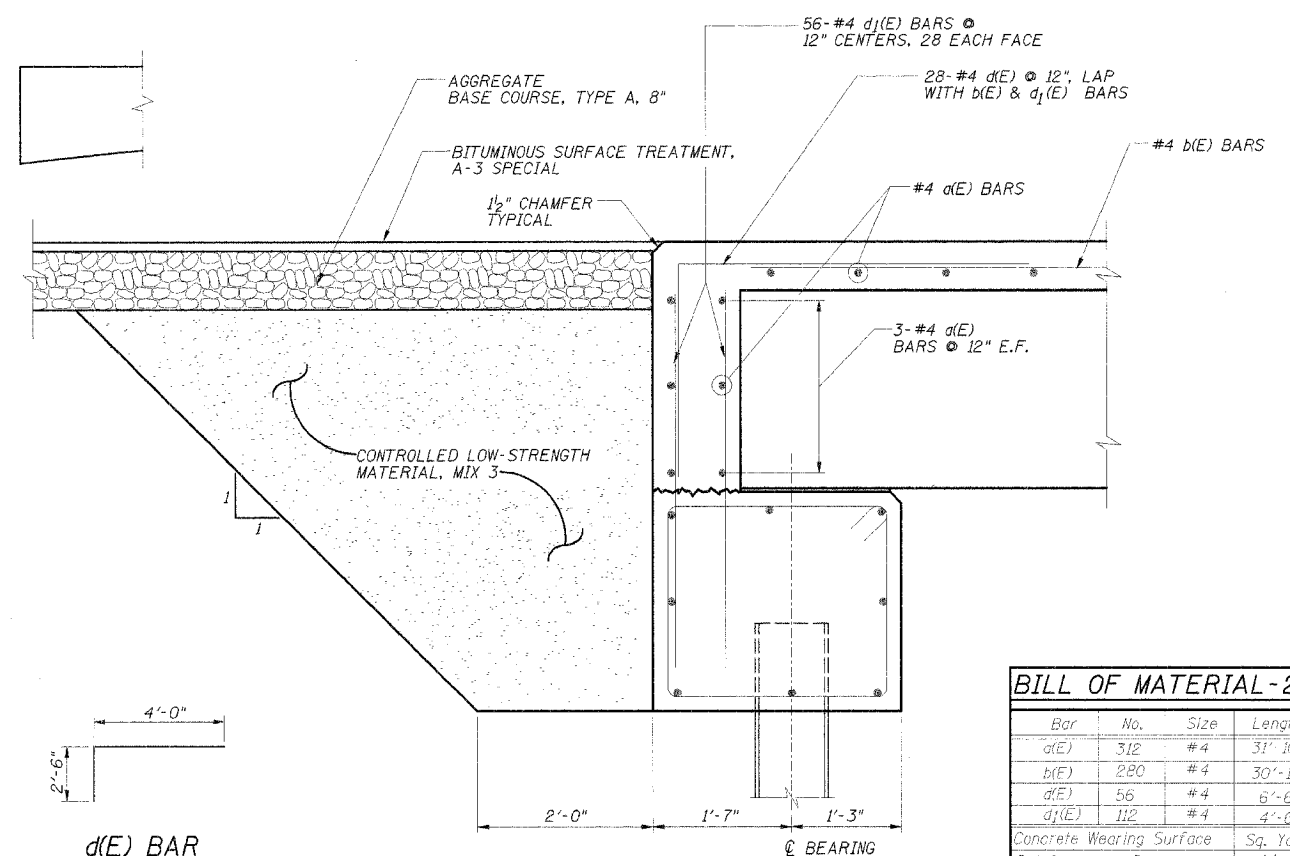
5" MIN. @ CENTER OF SPAN
 OF THE PPC DECK BEAMS



VIEW A-A



SECTION B-B



ABUTMENT DETAIL

BILL OF MATERIAL-2 ABUTS.

Bar	No.	Size	Length	Shape
d(E)	312	#4	31'-10"	—
b(E)	280	#4	30'-10"	—
d(E)	56	#4	6'-6"	—
d1(E)	112	#4	4'-6"	—
Concrete Wearing Surface		Sq. Yds.	946	
Reinforcement Bars (Epoxy Coated)		Lbs.	12,990	

DSGN	K.E. Brandau				
DR	R.T. Mumm				
CHK	K.E. Brandau				
APVD	K.E. Brandau	NO.	DATE	REVISION	BY

FRAUENHÖFFER
 Frauenhoffer and Associates, P.C. Consulting Engineers
 3002 Crossing Court Champaign, Il. 61822 217-361-6268

CONCRETE WEARING SURFACE DETAILS		SHEET	6
COUNTY HIGHWAY 2 SECTION 04-00130-00-BR FULTON COUNTY		DWG NO.	4066-over.dgn
		DATE	NOV 2005
		PROJ NO.	4056