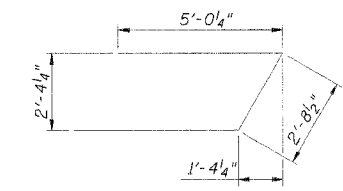


BAR h20, h21, h26, h31

BAR	"A"	"B"	"C"
h20	7'-4 3/8"	0'-10"	8'-6"
h24	2'-10 3/4"	1'-3"	7'-0"
h25	5'-0"	0'-10"	7'-5"
h29	2'-10 3/4"	0'-3"	7'-0"
h33	2'-10 3/4"	1'-1"	7'-0"

BAR s20



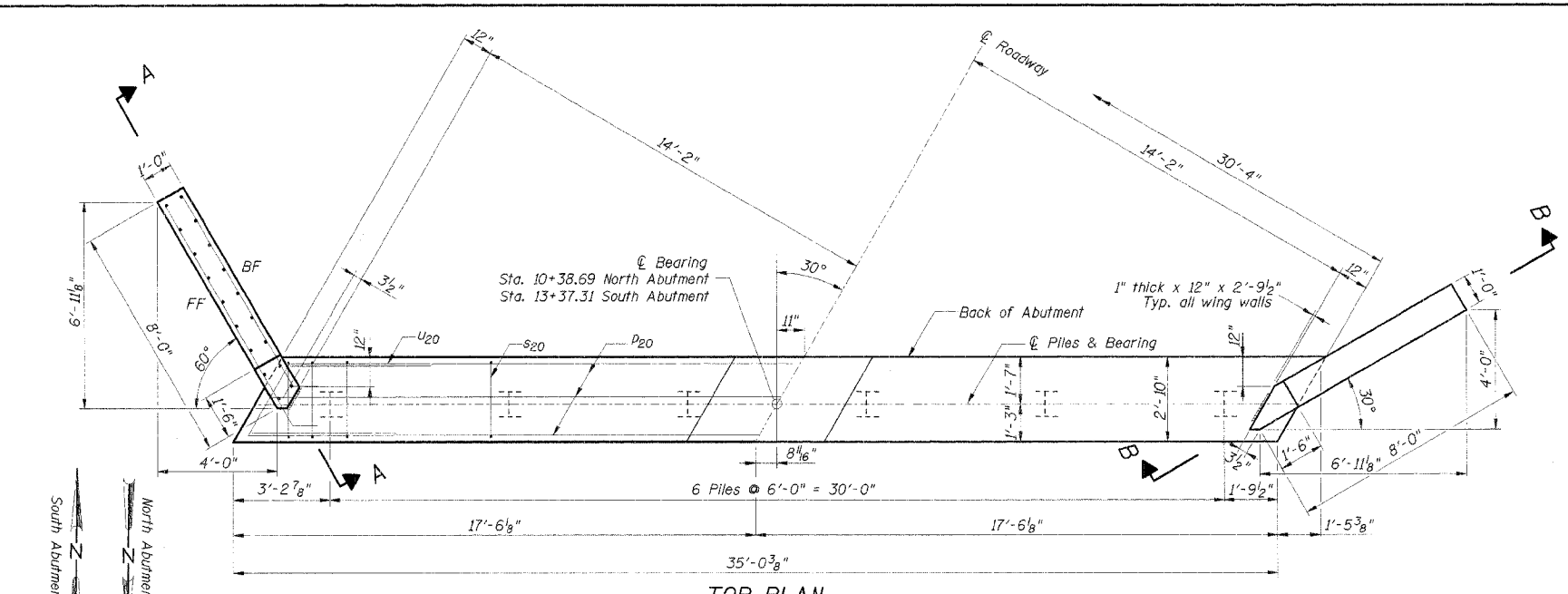
BAR U20

PILE DATA

Type: Steel HP10x42
 No. Required: 5 North Abutment
 5 South Abutment
 Capacity: 42 T/Pile @ both abutments
 Drive to refusal
 Est. Length: 70 Ft. N. Abutment
 70 Ft. S. Abutment
 Test Piles: 1 North Abutment
 1 South Abutment

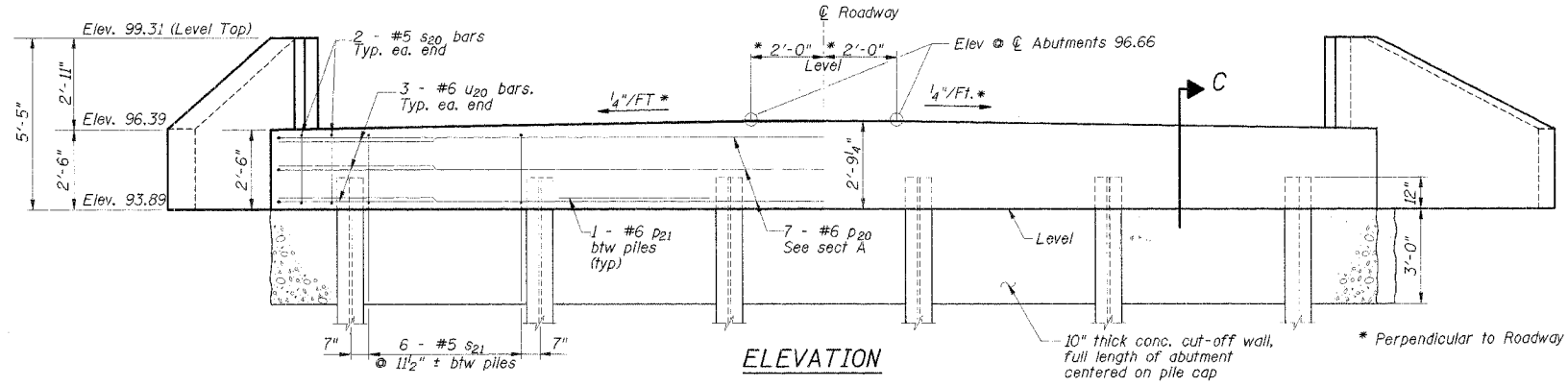
BILL OF MATERIAL-2 ABUTS.

Bar	No.	Size	Length	Shape
h20	12	#5	9'-4"	
h21	4	#5	6'-9"	
h22	4	#5	4'-11"	
h23	4	#5	3'-1"	
h24	4	#5	8'-3"	
h25	12	#5	8'-3"	
h26	2	#5	5'-9"	
h27	2	#5	3'-11"	
h28	2	#5	2'-1"	
h29	2	#5	7'-3"	
h30	2	#5	6'-7"	
h31	2	#5	4'-9"	
h32	2	#5	2'-11"	
h33	2	#5	8'-2"	
P20	14	#6	34'-8"	
P21	10	#6	3'-10"	
S20	62	#5	10'-3"	
U20	12	#6	12'-1"	
V20	16	#4	5'-1"	
V21	8	#4	4'-9"	
V22	8	#4	4'-4"	
V23	8	#4	3'-11"	
V24	8	#4	3'-6"	
V25	8	#4	3'-0"	
V26	8	#4	2'-7"	
V27	8	#4	2'-2"	
Concrete Structures			Cu. Yds.	24.1
Reinforcement Bars			Lbs.	2350
Test Pile, Steel HP10x42			Each	2
Furnish Steel Pile, HP10x42			Foot	700
Drive Steel Pile			Foot	700
Metel Shoes			Each	10
Name Plate			Each	1
Concrete Cut-off Wall			Cu. Yds.	6.5
Structure Excavation			Cu. Yds.	144

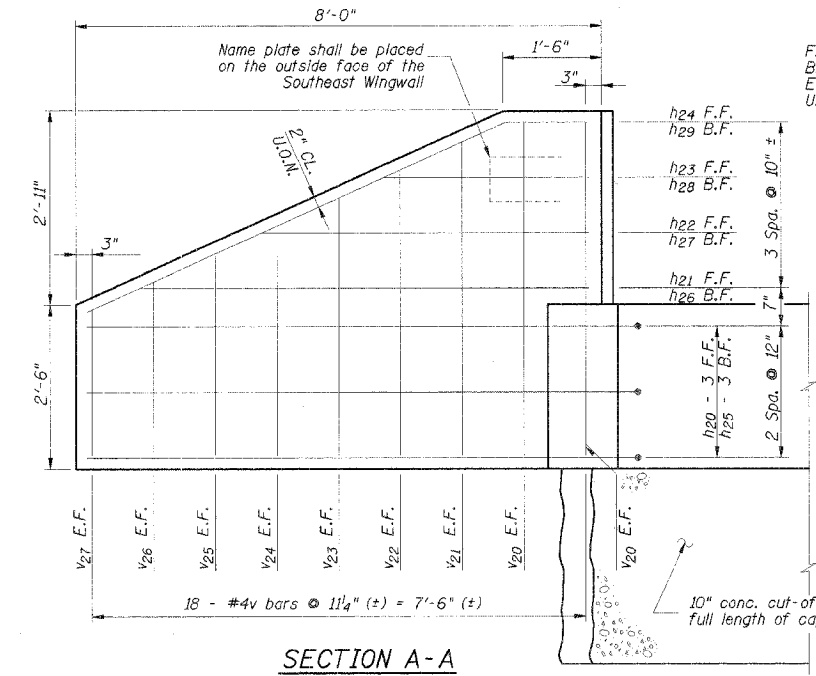


TOP PLAN

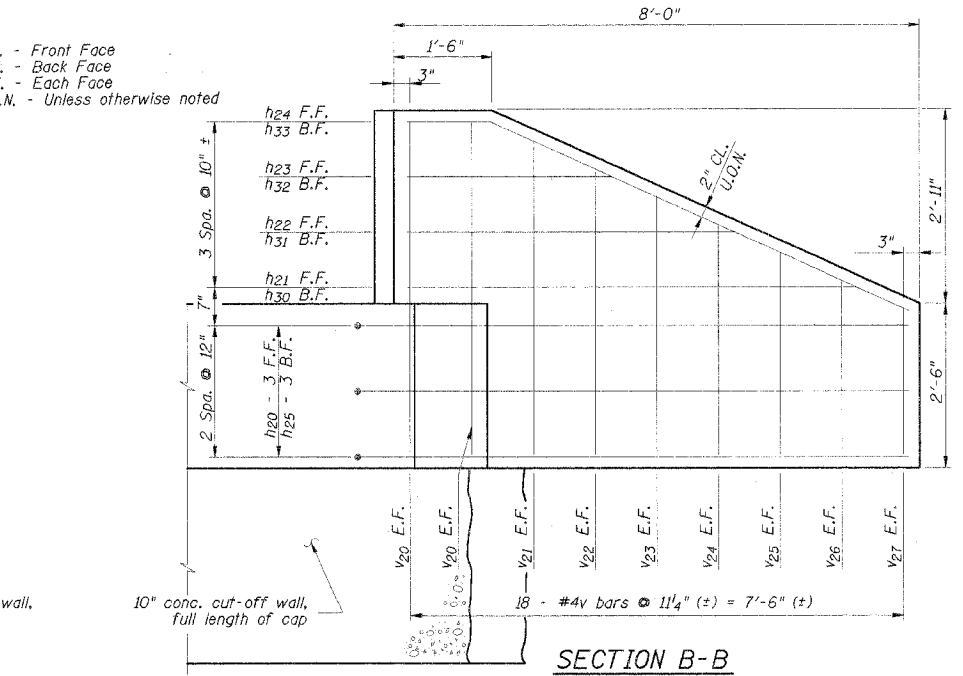
NOTE: All edges shall have Standard 3/4" Chamfer, except as noted.



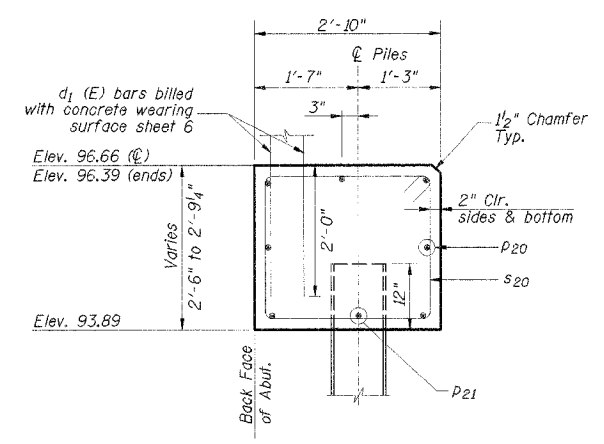
ELEVATION



SECTION A-A



SECTION B-B



SECTION C

(Perpendicular to CL of Abutment)

DSGN	K.J. Hoffmann				
DR	K.J. Hoffmann				
CHK	K.E. Brandau				
APVD	K.E. Brandau	NO.	DATE	REVISION	BY

FRAUENHOFFER

Frauenhoffer and Associates, P.C. Consulting Engineers
 3002 Crossing Court Champaign, IL 61822 217-351-6268

ABUTMENTS

COUNTY HIGHWAY 2
 SECTION 04-00130-00-BR
 FULTON COUNTY

SHEET	7
DWG NO.	4056-abt.dgn
DATE	OCT 2005
PROJ NO.	4056