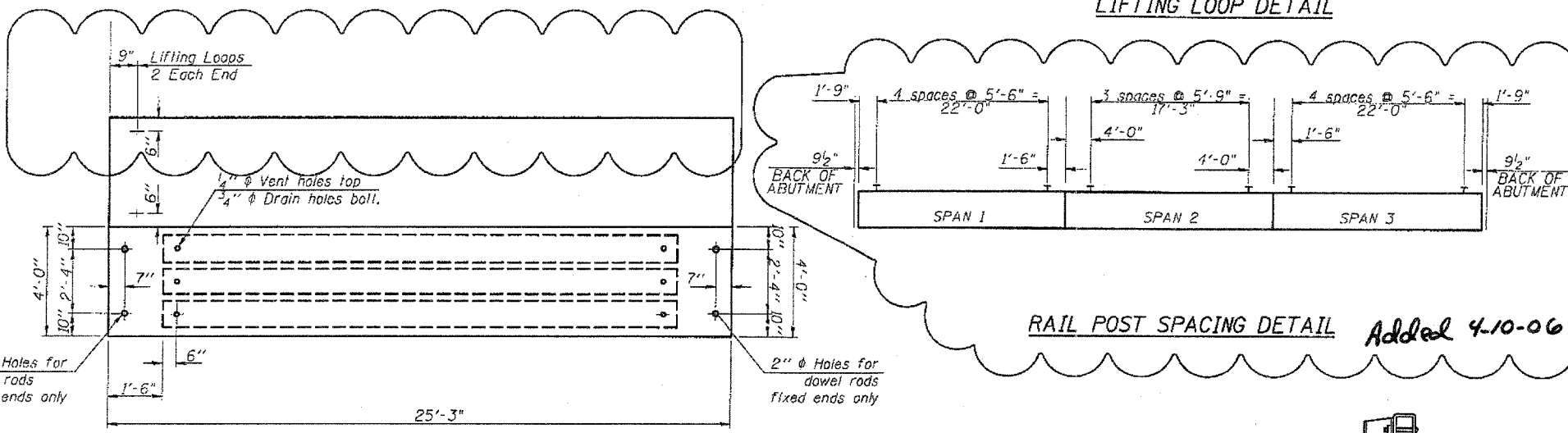
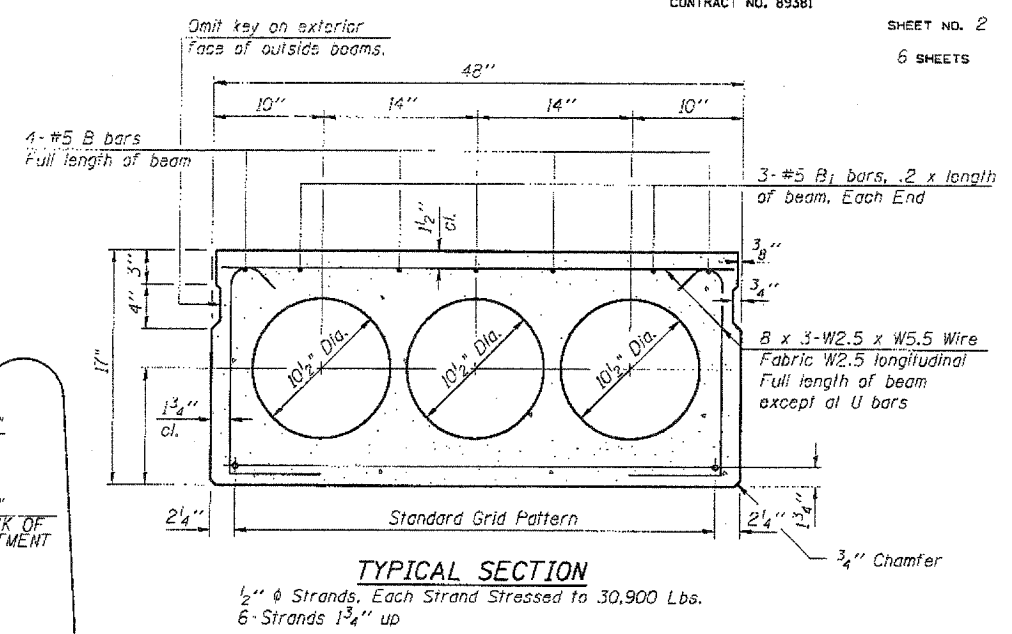
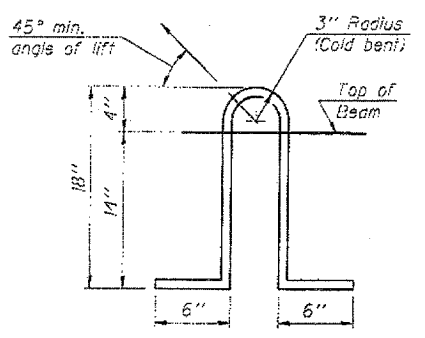
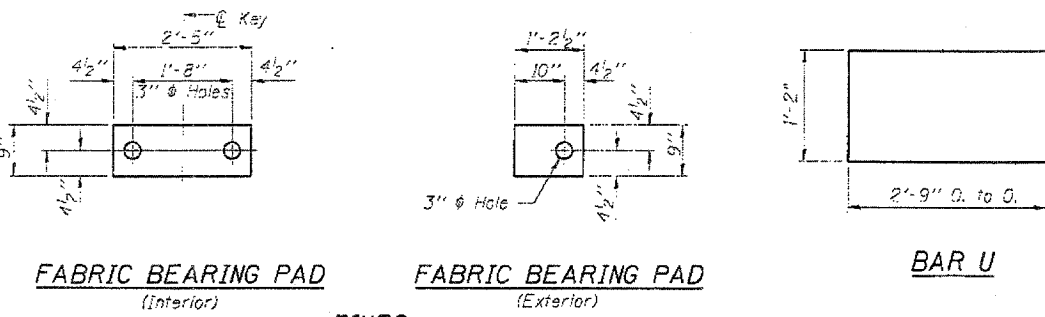


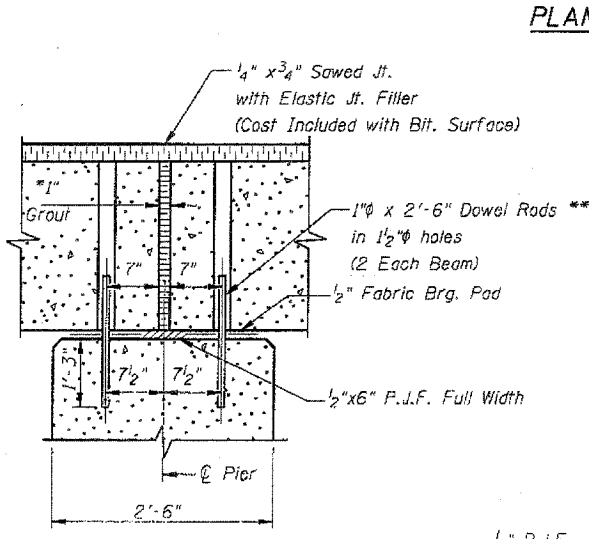
F.A.S. RTE.	SECTION	COUNTY	TOTAL SHEETS	SHEET NO.
405	04-00035-01-BR	WARREN	16	1
STA.	TO STA.			
FED. ROAD DIST. NO. 7 ILLINOIS PROJECT NO. BR5-405(103)				
CONTRACT NO. 89381				

SHEET NO. 2
6 SHEETS



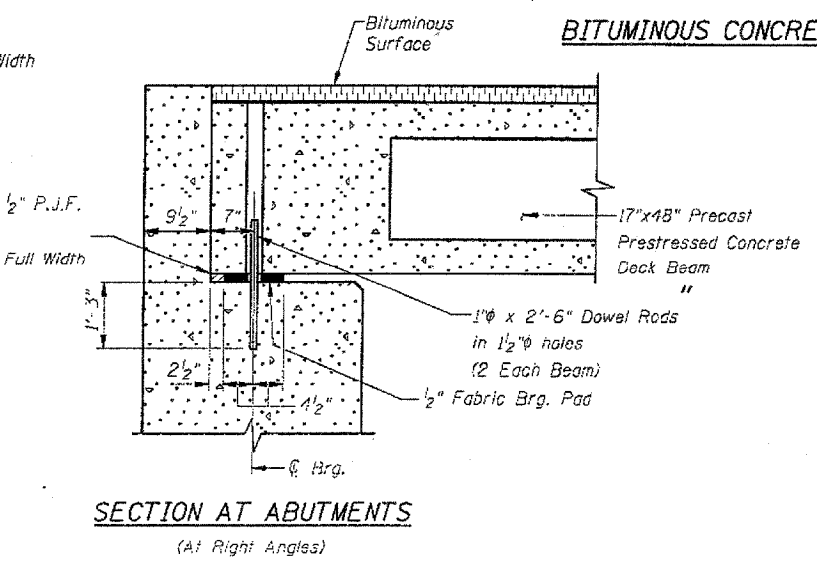
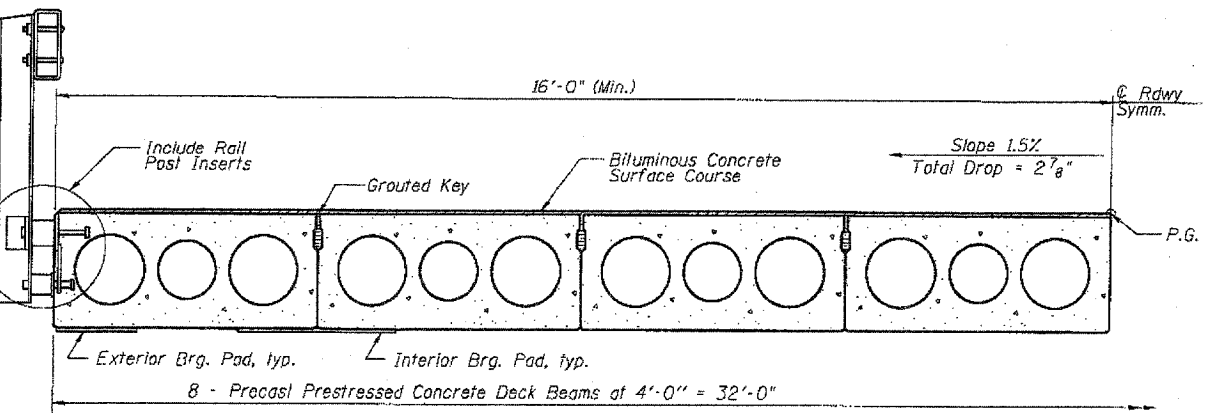
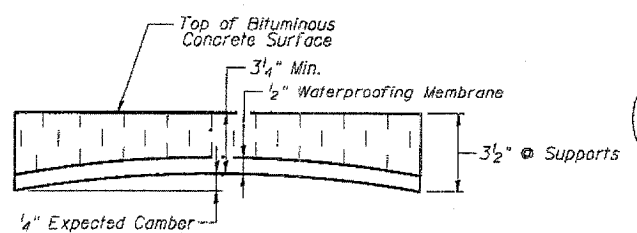
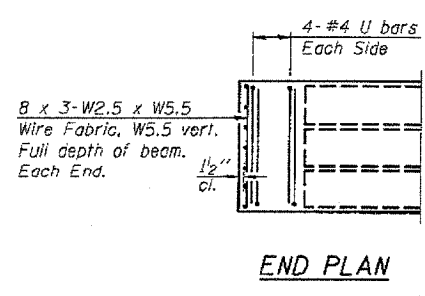
RAIL POST SPACING DETAIL *Added 4-10-06*

Note:
Place strands symmetrically about C of beam.



* 1" Joint shall be packed with a very dry mix of 2:1 sand & P.C. mortar. 1" Dimension may vary plus or minus to accommodate tolerance in beam lengths.

**Dowel Rods to be grouted after beams are in place and allowed to cure (Min. 24 Hrs.) prior to grouting the shear keys.



NOTES

Prestressing steel shall be uncoated high strength, low relaxation 7-wire strand, Grade 270. The nominal diameter shall be 1/2" and the nominal cross-sectional area shall be 0.153 sq. in. Lifting loops shall be 2 - 1/2" # 270 ksi strands, as shown.
The 1" rods in the transverse tie assembly shall be tightened to a snug fit and the threads set. Packets that receive transverse tie bar on outside shall be filled with grout after transverse tie assembly is in place.
Non prestressing steel shall conform to AASHTO M-31, M-42 or M-53 Grade 60.
The bearing seat surfaces shall be adjusted by shimming to assure firm and even bearing. Two 1/2" fabric adjusting shims of the dimensions of the Exterior Bearing Pad shall be provided for each bearing.
Keyway surfaces shall be cleaned to remove form oil or other bond breaking material prior to shipment of the beams. Cleaning shall be done by sandblasting the keyway areas between top of the beam and the bottom edge of the key.
Corrosion inhibitor, as covered in the Special Provisions, shall be used in the concrete for precast prestressed concrete deck beams.
Required Release Strength, f'ci, shall be 4,000 p.s.i.

BILL OF MATERIAL

Item	Unit	Quantity
Precast Prestressed Conc. Deck Bms. (17" depth)	Sq. Ft.	2424

REVISIONS	
NAME	DATE
RAIL POST DETAIL 04/06	

ILLINOIS DEPARTMENT OF TRANSPORTATION
F.A.S. 405
SECTION 04-00035-01-BR
WARREN COUNTY
COUNTY HIGHWAY 1 OVER MIDDLE HENDERSON CREEK
P.P.C. DECK BEAM SUPERSTRUCTURE

SCALE: VERT. HORIZ. DATE 02/05/06 DRAWN BY RLA CHECKED BY JUT