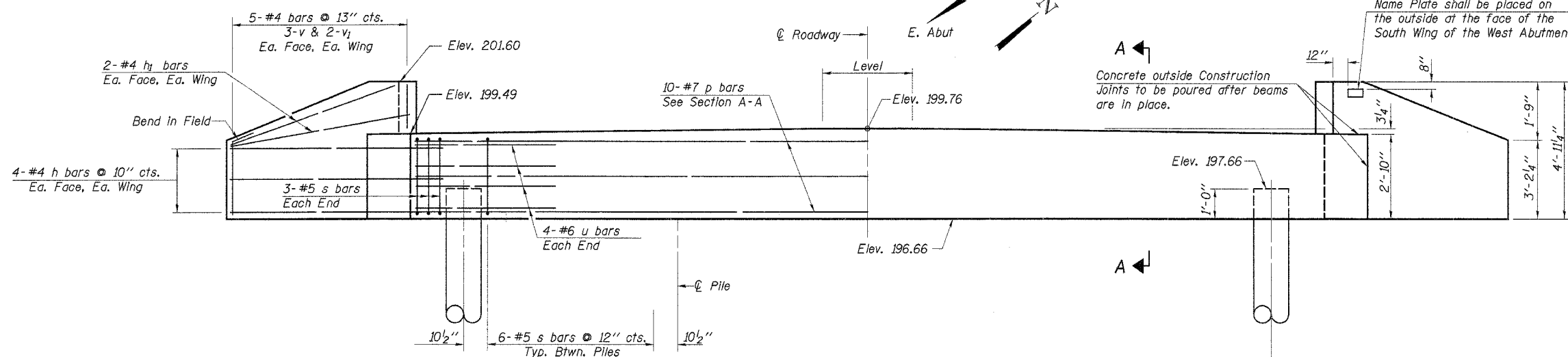
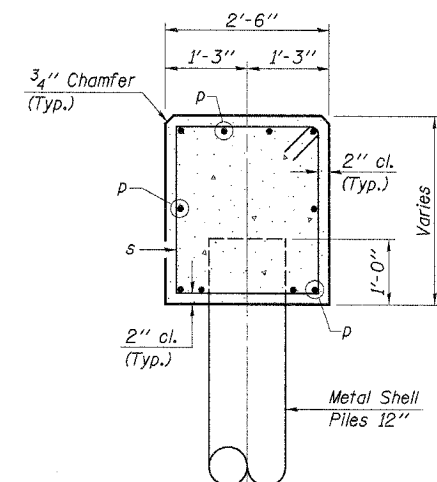
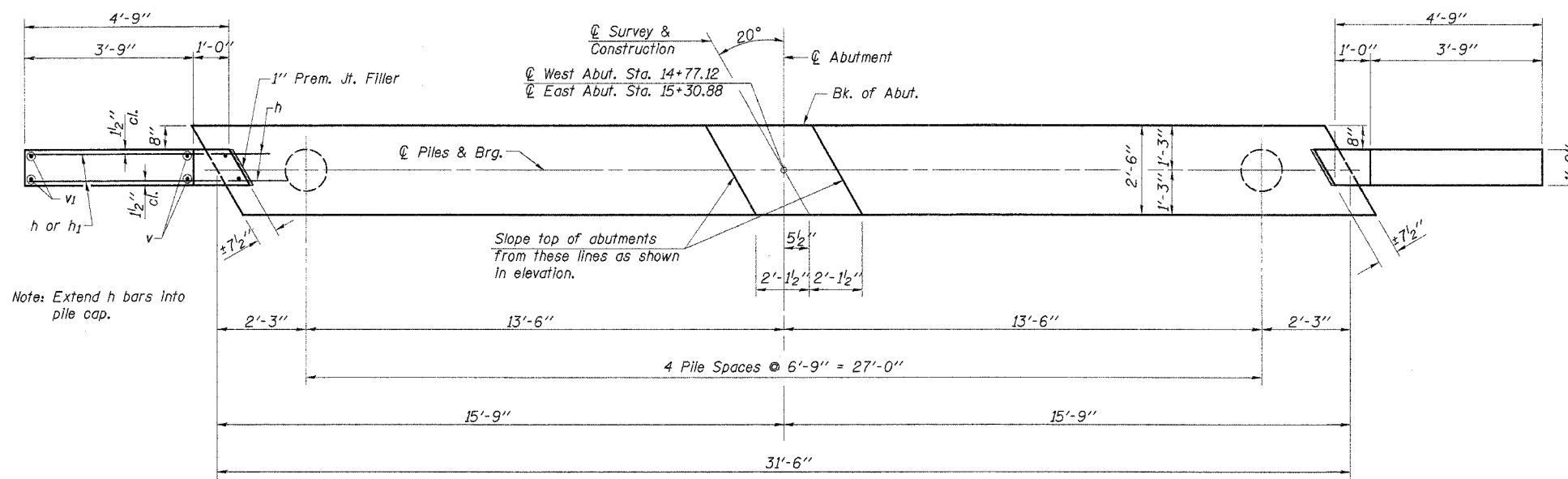


ROUTE NO.	SECTION	COUNTY	TOTAL SHEETS	SHEET NO.
C.H. 8	05-00085-00-BR	MARSHALL	13	7
		ILLINOIS	PROJ. NO. BROS-123(2)	

CONTRACT NO. 89397



2 ABUTMENTS
 BILL OF MATERIAL

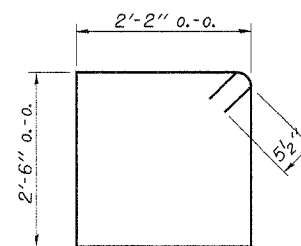
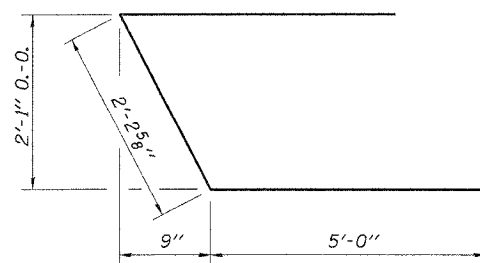
Bar	No.	Size	Length	Shape	
h	32	#4	6'-3"	—	
h ₁	16	#4	4'-5"	—	
p	20	#7	3'-2"	—	
s	60	#5	10'-3"	□	
u	16	#6	12'-3"	▤	
v	24	#4	4'-7"	—	
v ₁	16	#4	3'-6"	—	
Concrete Structures				Cu. Yd.	20.0
Reinforcement Bars				Pound	2410
Name Plates				Each	1
Test Pile Metal Shells				Each	2
Metal Pile Shells 12"				Foot	440

See Sheet 8 for Pile Details.

PILE DATA

Type..... Metal Pile Shells 12"
 No. Req'd. (2 Abuts.)..... *10
 Capacity..... 40 Tons/Pile
 Est. Length..... 60 Foot W.A.
 50 Foot E.A.

*Includes 1 Test Pile to be driven in a permanent location at the West Abutment and the East Abutment



DESIGNED	SFM
CHECKED	FJS
DRAWN	SAP & JPS
CHECKED	SFM

ABUTMENTS

COUNTY HIGHWAY 8
 SECTION 05-00085-00-BR
 MARSHALL COUNTY
 STATION 15+04

4440 ASH GROVE
 SPRINGFIELD, IL 62711
 (217) 793-8693
 oasinc@tamvid.com

OZYURT AND STONE, INC.
 CONSULTING ENGINEERS

JOB NO.: 0413
 FILE: ABUT-30R.DGN
 DATE: 01/31/06