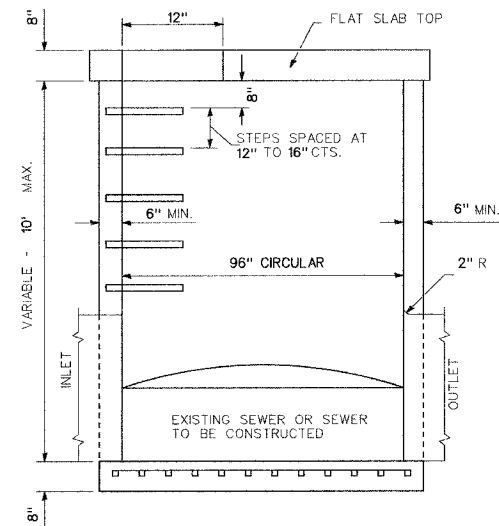
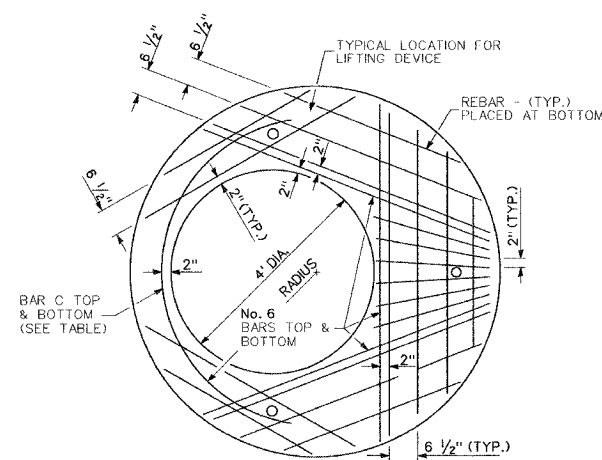


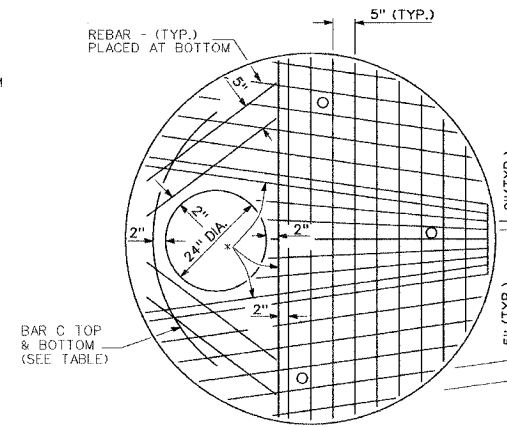
SECTION	COUNTY	TOTAL SHEETS	SHEET NO.
01-00088-00-WR	CHAMPAIGN	21	15
STA.	TO STA.		
F.H.W.A. REC.	ILLINOIS	PROJECT	



**ELEVATION**



**PLAN**  
SHOWING REBAR REINFORCEMENT



\* No. 6 BARS TOP & BOTTOM

**GENERAL NOTES**

ALTERNATE MATERIAL FOR THE WALLS MAY BE CONCRETE MASONRY UNITS, PRECAST REINFORCED CONCRETE SECTIONS OR CAST-IN-PLACE CONCRETE.

BOTTOM SLAB SHALL BE REINFORCED BY EITHER REINFORCED BARS OR WELDED WIRE FABRIC.

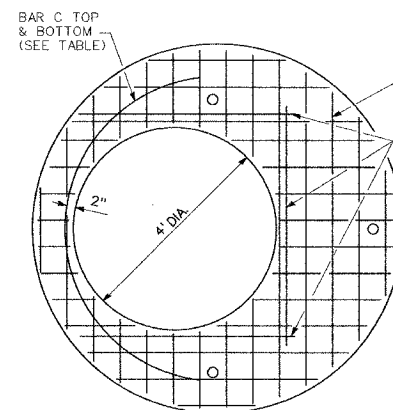
JOINT CONFIGURATION AND DIMENSIONS OF FLAT SLAB TOP SHALL MATCH AND FIT THE RISER JOINT DETAIL.

LIFTING DEVICES SHALL BE APPROVED BY THE ENGINEER

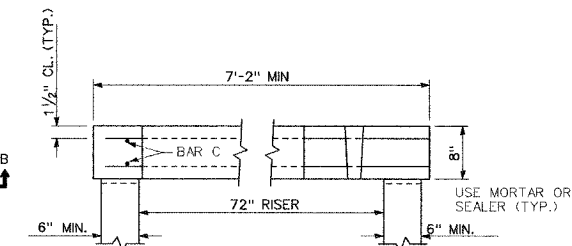
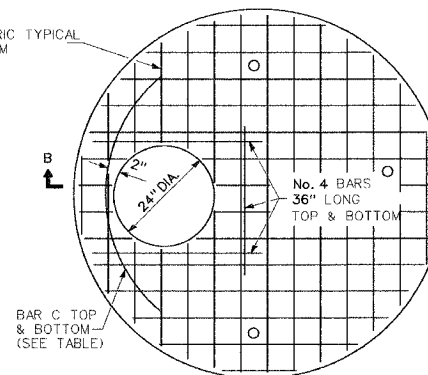
SEE STANDARD 602701 FOR DETAILS OF CAST IRON STEPS.

BOTTOM SLABS SHALL BE REINFORCED WITH A MINIMUM OF 0.46 SQ IN/ FT. IN BOTH DIRECTIONS.

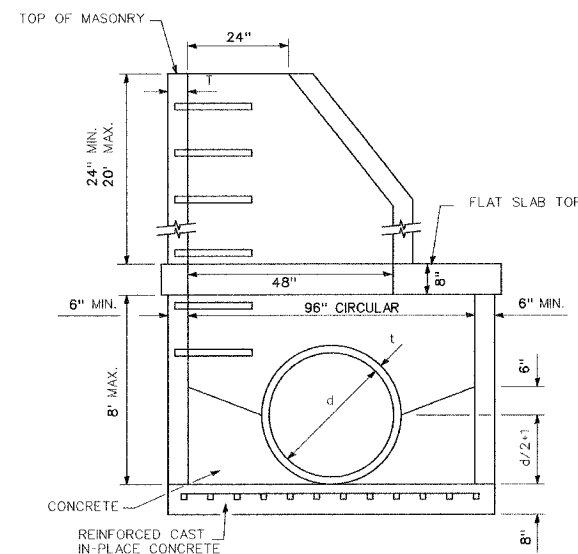
DIAMETER OF OPENING	THICKNESS	REINFORCEMENT "AS" WWF EACH DIRECTION	BAR SIZE	NO. 4 BAR C	
				LENGTH	RADIUS
2'	8"	1.06 SQ IN/ FT	No. 6	6'-0"	38
4'	8"	0.82 SQ IN/ FT	No. 6	9'-0"	38



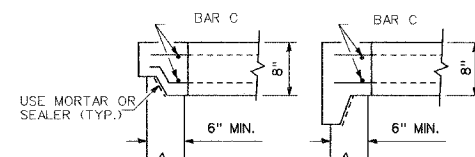
**PLAN**  
SHOWING WELDED WIRE FABRIC REINFORCEMENT



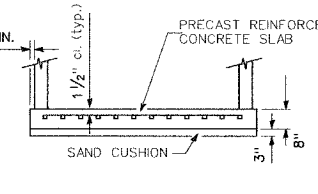
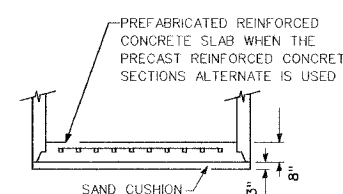
**SECTION B-B**



**ELEVATION**



**ALTERNATE JOINT CONFIGURATIONS**



**ALTERNATE BOTTOM SLAB**

ALTERNATE MATERIALS FOR WALLS	T (INCH)
CONCRETE MASONRY UNITS	5"
PRECAST REINFORCED CONCRETE SECTIONS	4"
CAST-IN-PLACE CONCRETE	6"

**MANHOLE TYPE A  
8' DIAMETER**

**DETAIL**