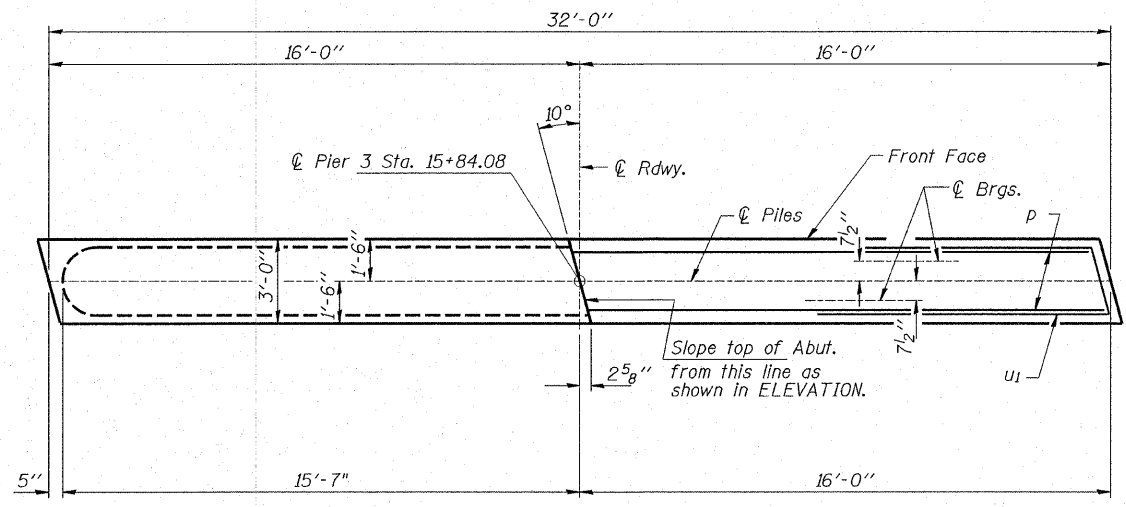
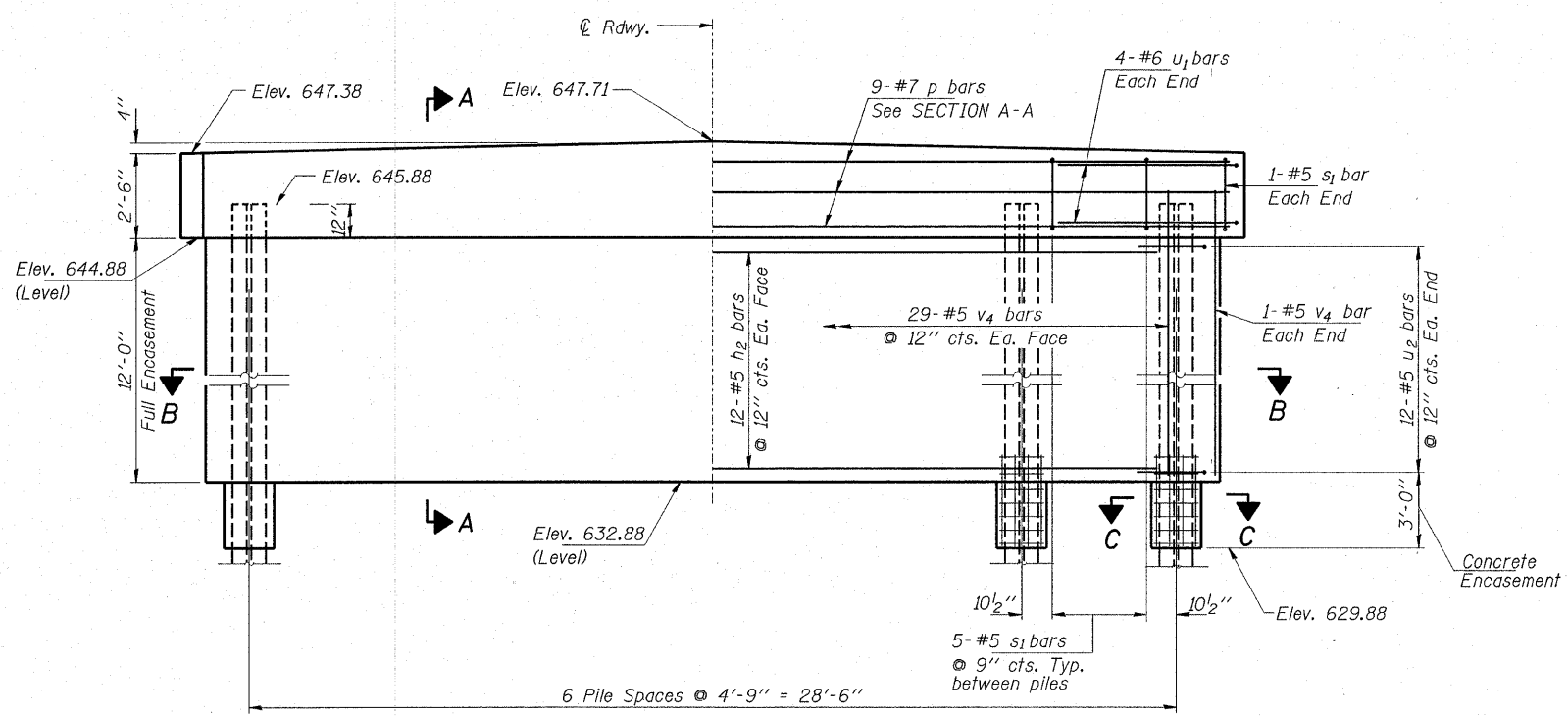


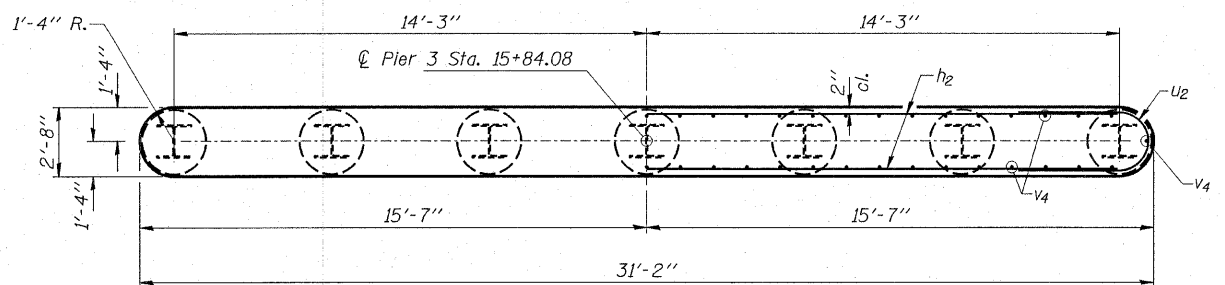
CONTRACT NO. 91314



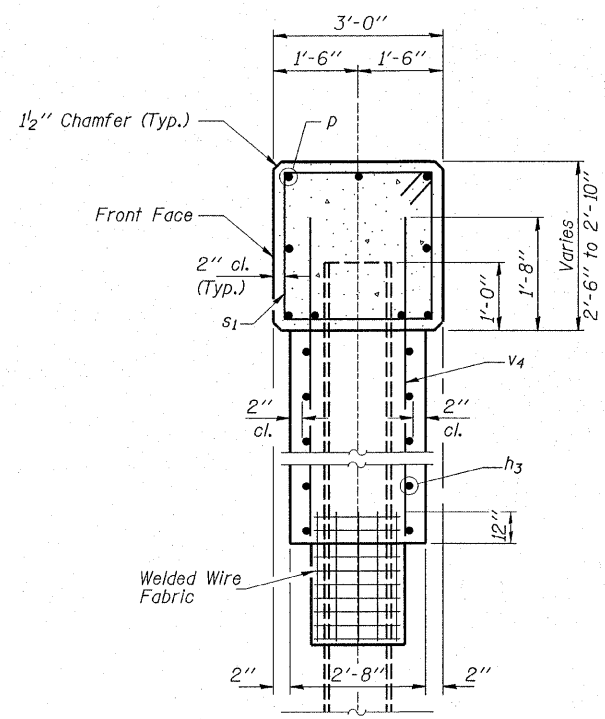
PLAN



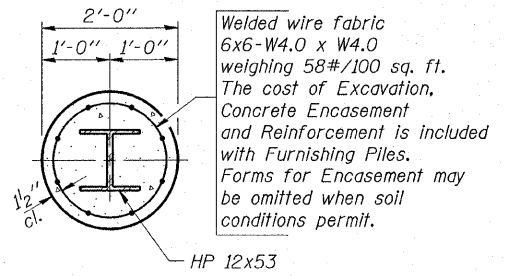
ELEVATION
(Looking North)



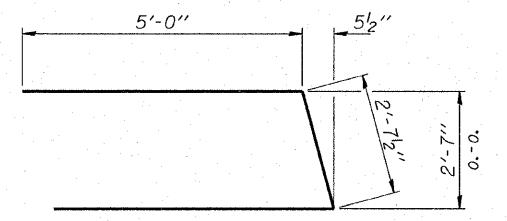
SECTION B-B



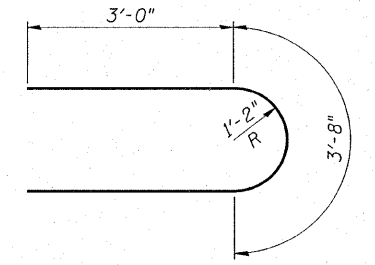
SECTION A-A



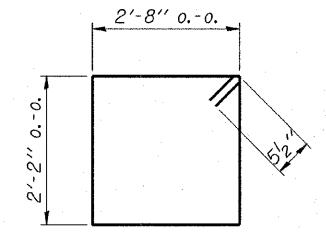
SECTION C-C



BAR u1



BAR u2



BAR s1

BILL OF MATERIAL - PIER 3

BAR	NO.	SIZE	LENGTH	SHAPE
h2	24	#5	28'-6"	
p	9	#7	31'-9"	
s1	32	#5	10'-7"	□
u1	8	#6	12'-8"	≡
u2	24	#5	9'-8"	≡
v4	60	#5	13'-6"	
Concrete Structures			Cu. Yd.	45.4
Reinforcement Bars			Lbs.	2,890
Steel Piles HP 12x53			Foot	240
Test Pile Steel HP 12x53			Each	1
Underwater Struct. Excavation Protection - L3			Each	1

PILE DATA

Type ----- Steel Pile HP12x53
 No. Req'd ----- 7
 Capacity ----- 70 Tons/Pile
 Estimated Lengths ----- 40 Feet/Pile

*Includes one Steel HP 12x53 Test Pile to be driven in a Permanent Location.

The Contractor shall temporarily support the piers until the beams are placed and dowel bars are grouted. Cost included in driving piles.

HLR
 Rice, Berry and Associates
 A Division of Hampton, Lenzi and Renwick, Inc.
 Civil & Structural Engineers
 3085 Stevenson Drive
 Suite 201
 Springfield, Illinois 62703
 217-546-3400
 Account Number: 12-30-0008-1
 Date: 01-05-06
 P.O. Box 1036
 DuQuoin, Illinois 62832
 618-790-4637
 DESIGNED: S.W.M. CHECKED: T.P.L. DRAWN: D.B.

PIER 3
SECTION 98-02120-00-BR
BOURBON ROAD DISTRICT
DOUGLAS COUNTY
STATION 15+05