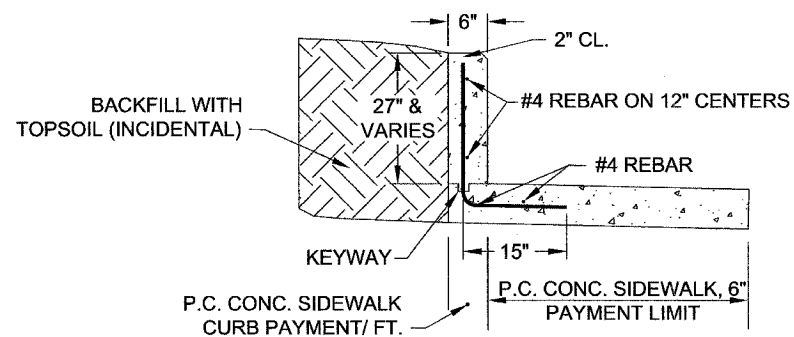
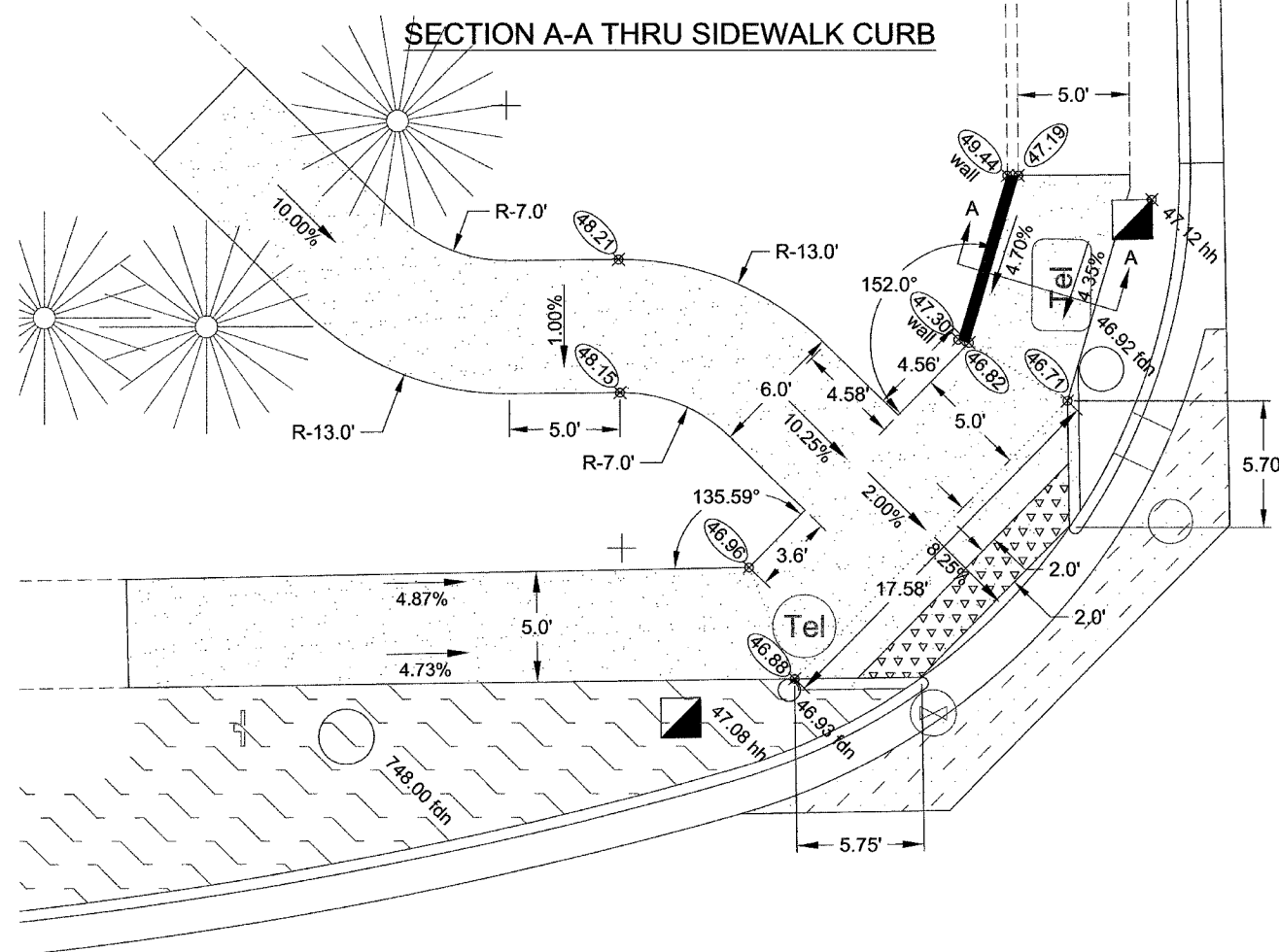


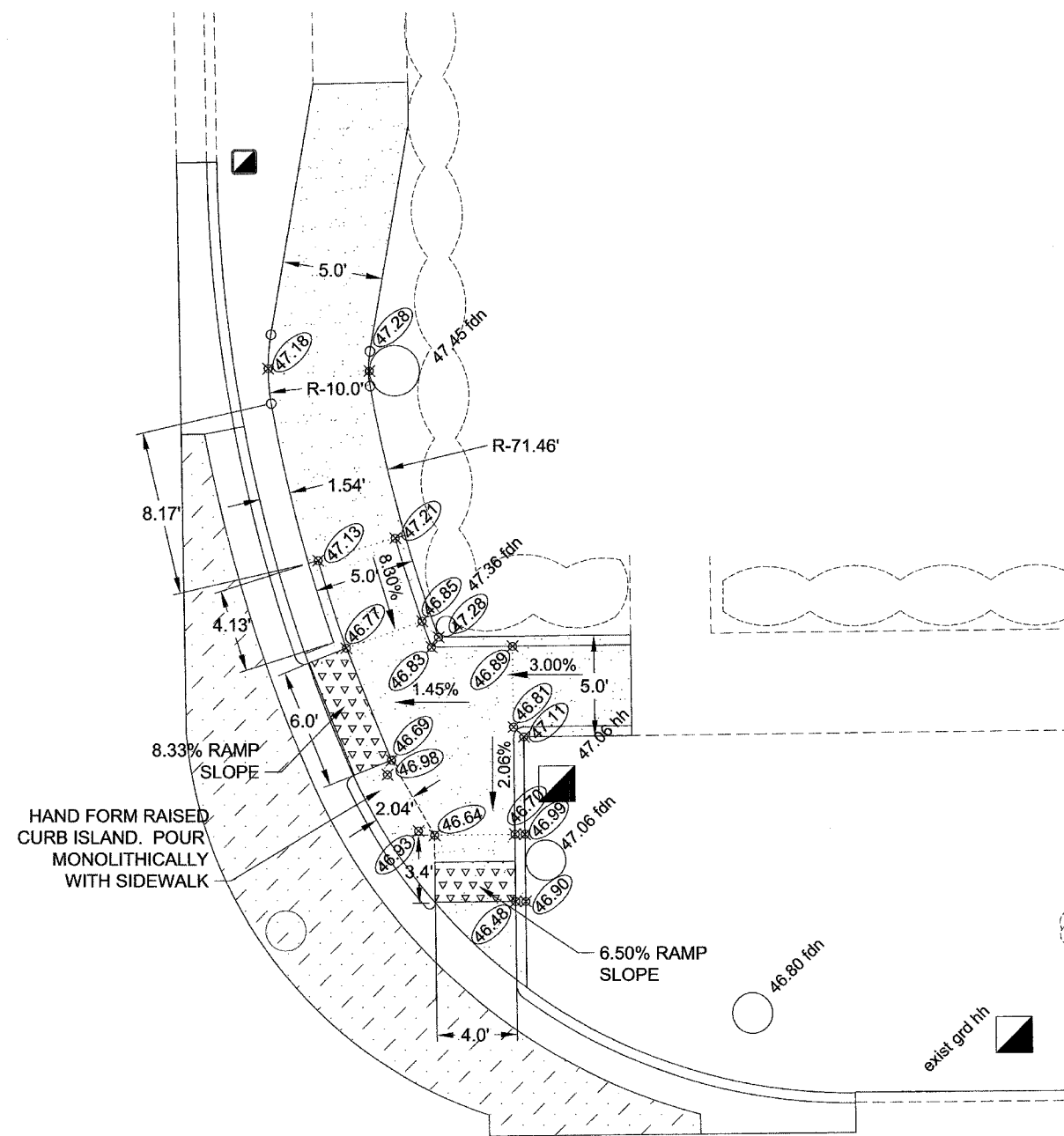
DRILL 2- 18" #4 REBAR INTO EXISTING WALL TO A DEPTH OF 9". EPOXY IN PLACE AND BEND TO 45° AND CONNECT TO NEW WALL REBAR



SECTION A-A THRU SIDEWALK CURB



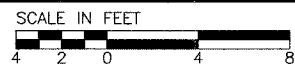
NORTHWEST QUADRANT SIDEWALK DETAIL



NORTHEAST QUADRANT SIDEWALK DETAIL

BM A = 749.22 AT SE CORNER
NORTH RIM BOLT
ADD 700 TO ELEVATIONS

- INDICATES RAMP BREAK
- ⊗ (XX.XX) PROPOSED SPOT ELEVATION
- ▤ PROPOSED DETECTABLE WARNING SURFACE



LINCOLN-PENNSYLVANIA TRAFFIC SIGNAL INSTALLATION
City Section 04-00396-00-TL

Design/ACAD by: JLS	SIDEWALK CONSTRUCTION DETAIL	TOTAL SHEETS	SHEET NO.
Approved by: WRG		12	7
Date: 12/30/05		H:\jlsmith\LINCPENNSIGNAL\LincPenn6ConstPlan.dwg	