

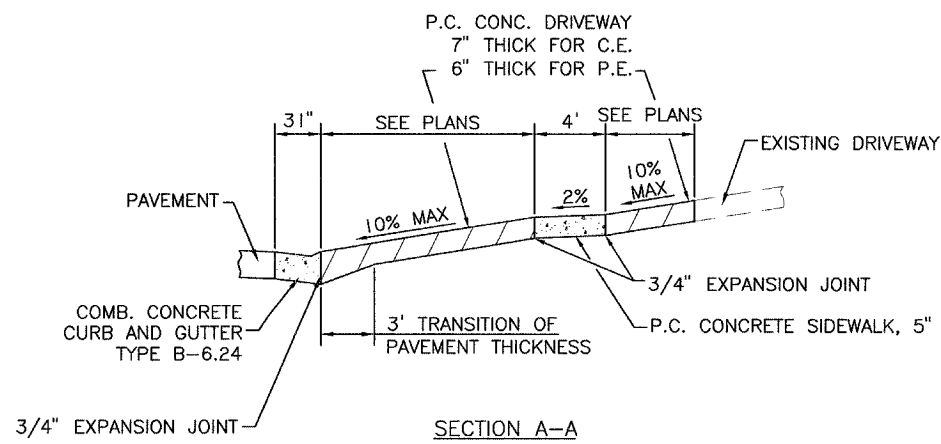
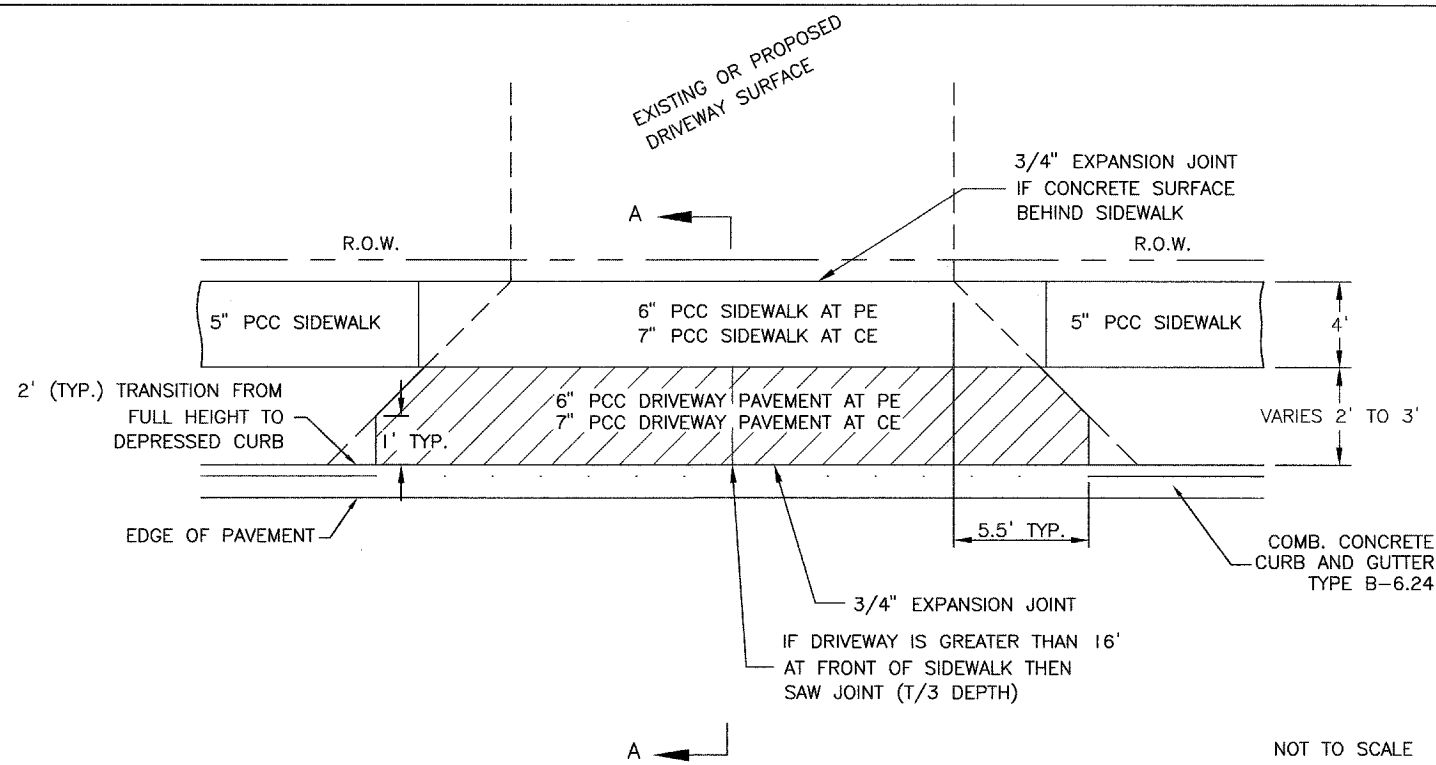
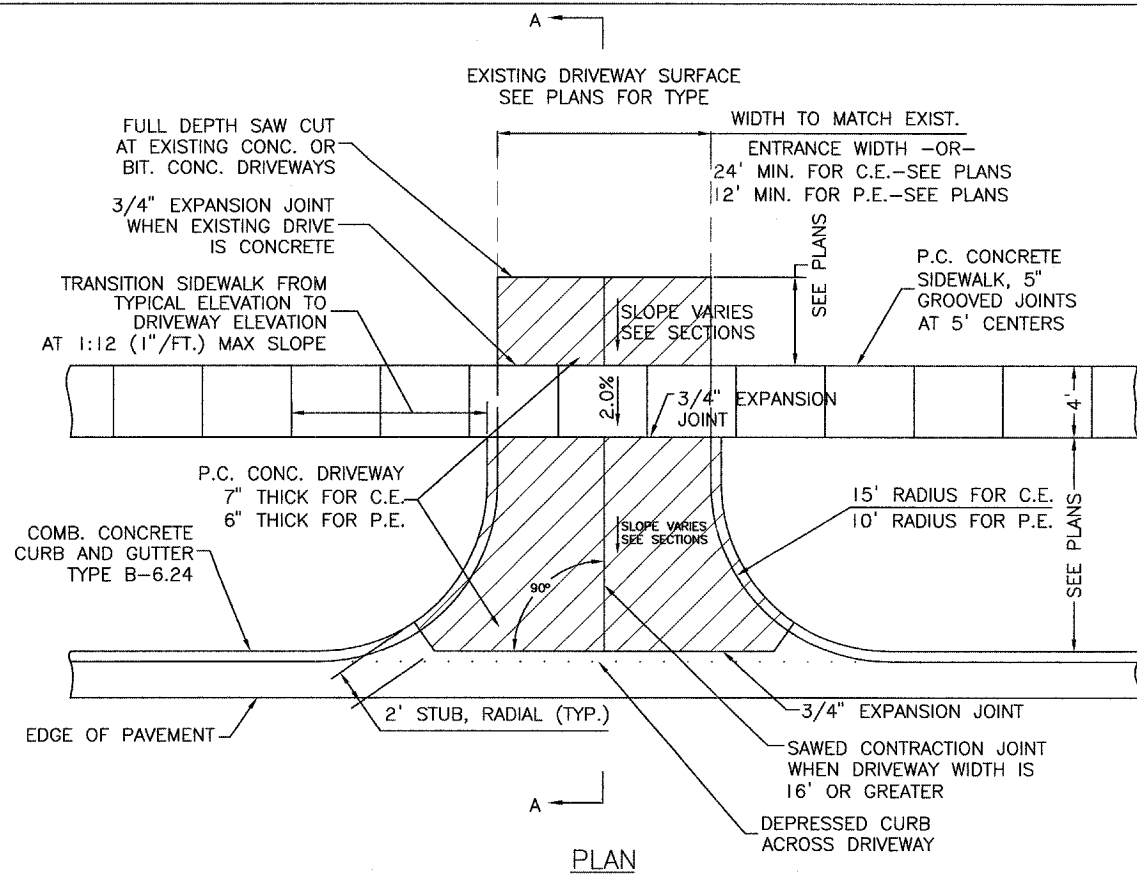


CITY OF URBANA  
PUBLIC WORKS  
ENGINEERING DIVISION

DRAWN BY: AUS  
CHECKED BY: GLJ  
DESIGNED BY: CES  
CITY SECTION  
95-00305-01-PV

Philo Road Improvements  
Miscellaneous Details

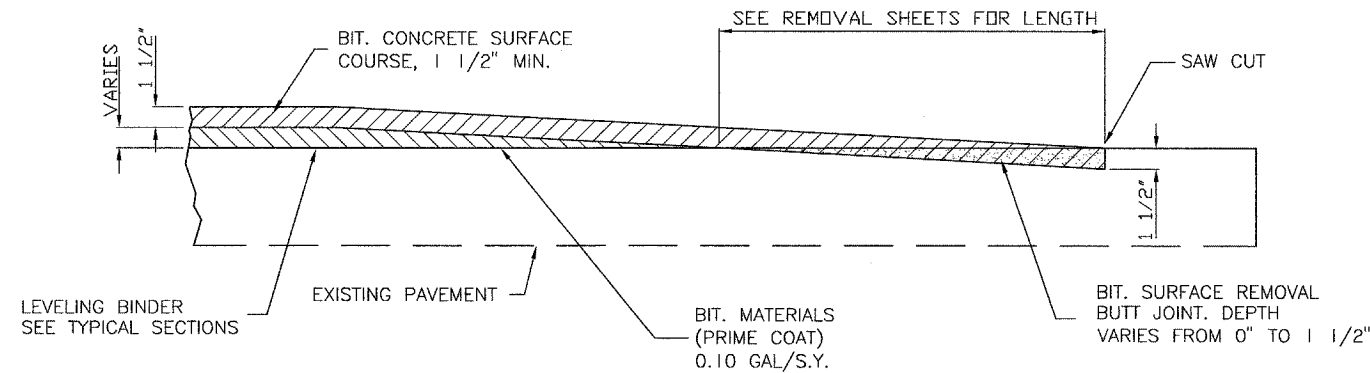
SHEET NO  
42  
OF  
62



P.C. CONCRETE DRIVEWAY PAVEMENT DETAIL  
(PRIVATE AND COMMERCIAL ENTRANCES)

GENERAL NOTES FOR  
P.C.C. DRIVEWAY PAVEMENT

1. THE COST OF CONSTRUCTING THE DEPRESSED GUTTER OR CURB INCLUDING THE 2' STUB AS SHOWN SHALL BE CONSIDERED INCLUDED IN THE COST OF CONSTRUCTING THE COMBINATION CONCRETE CURB AND GUTTER TYPE B-6.24 AND NO ADDITIONAL COMPENSATION WILL BE ALLOWED.
2. THE COST OF FURNISHING AND INSTALLING THE 3/4" EXPANSION JOINTS AND THE COST OF CONSTRUCTING THE ADDITIONAL P.C.C. SIDEWALK THICKNESS AND THICKNESS TRANSITION AS SHOWN, INCLUDING THE ADJACENT CURBING AS SHOWN, SHALL BE INCLUDED IN THE COST OF CONSTRUCTING P.C. CONCRETE SIDEWALK 5" AND NO ADDITIONAL COMPENSATION WILL BE ALLOWED.
3. THE COST OF CONSTRUCTING THE P.C. CONCRETE DRIVEWAY PAVEMENT THICKER ADJACENT TO THE GUTTER, SHOULDER, OR PAVEMENT AS SHOWN SHALL BE CONSIDERED INCIDENTAL TO THE P.C. CONCRETE DRIVEWAY PAVEMENT AND NO ADDITIONAL COMPENSATION WILL BE ALLOWED.



BUTT JOINT (SPECIAL) DETAIL