

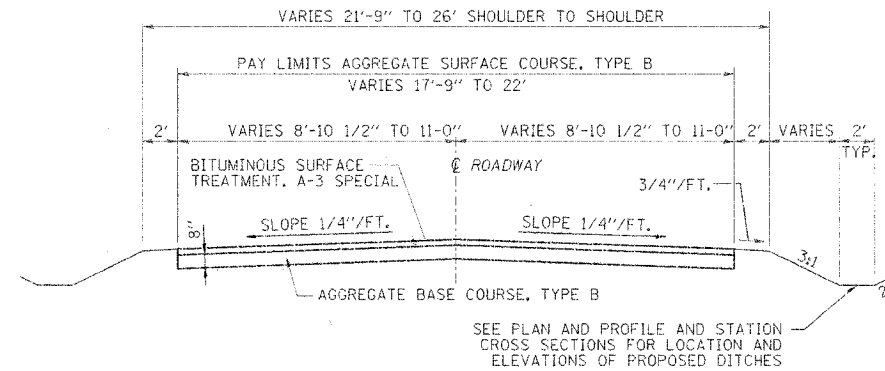
ROUTE NO.	SECTION	COUNTY	SHEET	TOTAL
TR 261	*	Vermilion	10	2

*94-14129-00-BR

SUMMARY OF QUANTITIES

CODE NO.	ITEM	UNIT	QUANTITY
*20200100	EARTH EXCAVATION	CU. YD.	286
20400800	FURNISHED EXCAVATION	CU. YD.	208
25000200	SEEDING, CLASS 2	ACRE	0.4
25100115	MULCH, METHOD 2	ACRE	0.4
*35102000	AGGREGATE BASE COURSE, TYPE B, 8"	SO. YD.	1220
*40200800	AGGREGATE SURFACE COURSE, TYPE B	TON	92
*50100100	REMOVAL OF EXISTING STRUCTURES	EACH	1
50200100	STRUCTURE EXCAVATION	CU. YD.	165
50300225	CONCRETE STRUCTURES	CU. YD.	32.2
50400605	PRECAST PRESTRESSED CONCRETE DECK BEAMS (33" DEEP)	SG. FT.	2208
50800105	REINFORCEMENT BARS	POUND	3380
50900205	STEEL RAILING, TYPE S-1	FOOT	164
51201400	FURNISHING STEEL PILES, HP 10 X 42	FOOT	462
51202700	DRIVING STEEL PILES	FOOT	462
51203400	TEST PILES, STEEL HP 10 X 42	EACH	2
51204600	METAL SHOES	EACH	14
51500100	NAME PLATE	EACH	1
LR 631020	TRAFFIC BARRIER TERMINAL, TYPE 1	EACH	2
67100100	MOBILIZATION	L. SUM	1
*XX003952	TEMPORARY EROSION CONTROL COMPLETE	L. SUM	1
*XX004565	GROUTED RIP RAP	SO. YD.	423
*XX004566	CONCRETE CUT-OFF WALL	CU. YD.	8.5
*XX004567	PIPE CULVERTS, TYPE 1 ALUMINIZED CORRUGATED STEEL PIPE, 18" DIA.	FOOT	185
*XX005699	BITUMINOUS SURFACE TREATMENT, A-3 SPECIAL	SO. YD.	1420
Z0013798	CONSTRUCTION LAYOUT	L. SUM	1.0
*Z0013825	CONTROLLED LOW STRENGTH MATERIAL	CU. YD.	60

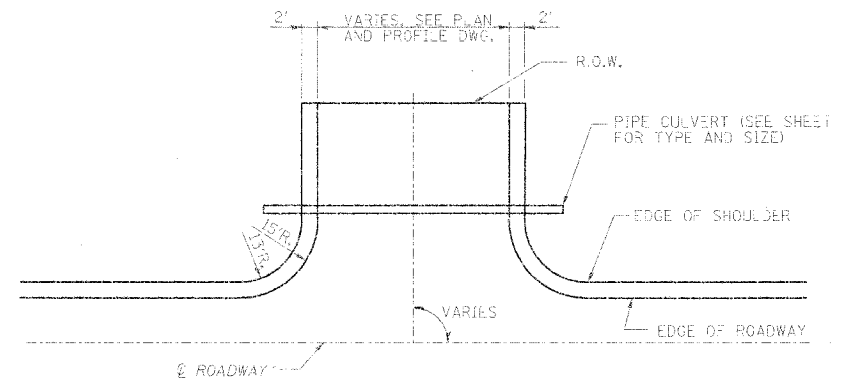
*SEE SPECIAL PROVISIONS



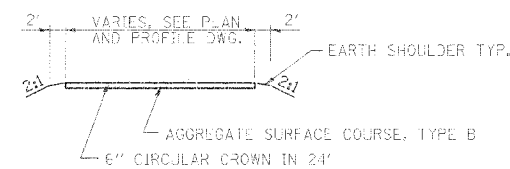
NOTES:
FUNCTIONAL CLASS - LOCAL ROAD (0-250 ADT)
CURRENT ADT = 150
SEE PLAN AND PROFILE SHEET 3 FOR PAVEMENT AND SHOULDER TAPERS.

TYPICAL CROSS SECTION

STA. 108+50.00 TO STA. 109+59.11
STA. 110+40.89 TO STA. 114+50.00



PLAN



SECTION

FIELD ENTRANCE DETAIL

STA. 109 + 30 RT.
STA. 111 + 74 RT.
STA. 112 + 24 LT.
STA. 113 + 72 LT.

SEEDING, CLASS 2		ACRE
LOCATION		
STA 108+50 TO STA 110+00		0.38
STA 110+00 TO STA 114+50		0.32
TOTAL		0.40

MULCH, METHOD 2		ACRE
LOCATION		
STA 108+50 TO STA 110+00		0.08
STA 110+00 TO STA 114+50		0.32
TOTAL		0.40

CONSTRUCTION LAYOUT		L. SUM
LOCATION		
SEC. 94-14129-00-BR		1
TOTAL		1

PIPE CULVERTS, TYPE 1 ALUMINIZED CORRUGATED STEEL PIPE, 18" DIA		FOOT
LOCATION		
RT. STA 109+30		80
RT. STA 111+74		35
LT. STA 112+24		35
LT. STA 113+72		35
TOTAL		185

AGGREGATE BASE COURSE, TYPE B, 8"		SO. YD.
LOCATION		
STA 108+50.00 TO STA 109+59.11		243
STA 110+40.89 TO STA 114+50.00		977
TOTAL		1220

AGGREGATE SURFACE COURSE, TYPE B		TON
LOCATION		
RT. STA 109+30		25.0
RT. STA 112+24		28.0
LT. STA 112+24		28.0
LT. STA 113+72		11.0
TOTAL		92.0

TRAFFIC BARRIER TERMINAL, TYPE 1		EACH
LOCATION		
STA 112+30 TO STA 112+55		1
STA 112+55 TO STA 112+80		1
TOTAL		2

BITUMINOUS SURFACE TREATMENT, A-3 SPECIAL		SO. YD.
LOCATION		
STA 108+50 TO STA 114+50		1420
TOTAL		1420