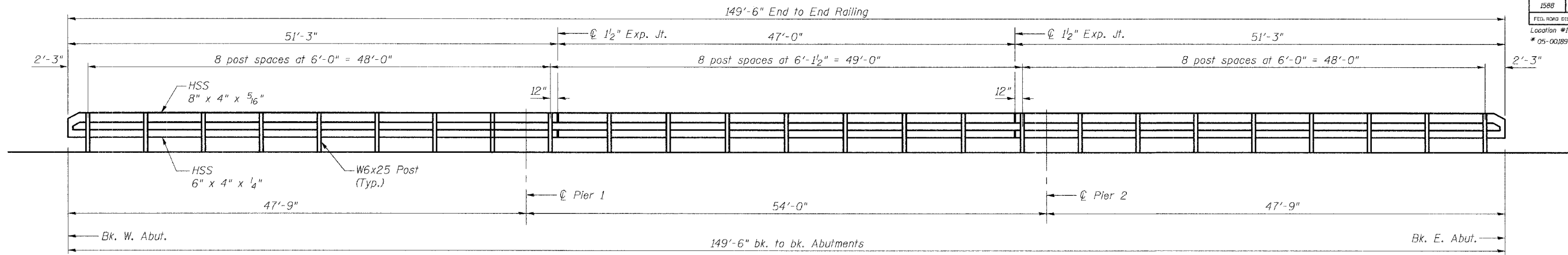
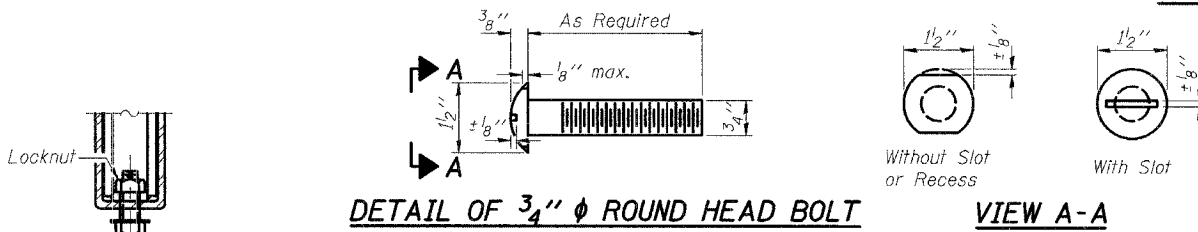


ROUTE NO.	SEC.	COUNTY	TOTAL SHEETS	SHEET NO.
FAS RTE 1588	*	ADAMS	38	14

FED. ROAD DIST. NO. 7 ILLINOIS PROJECT  
 Location #1 Structure No. 001-3027  
 \* 05-00189-00-BR



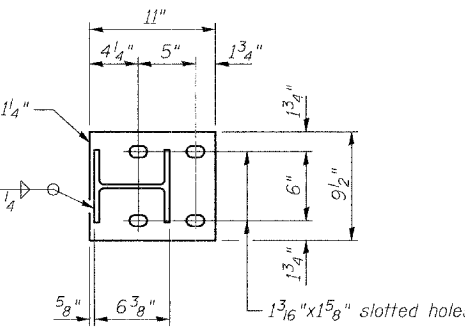
**RAILING ELEVATION**



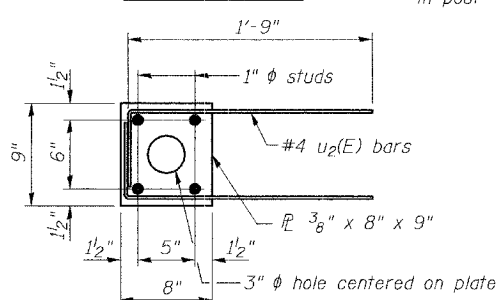
**DETAIL OF 3/4" ROUND HEAD BOLT**

**VIEW A-A**

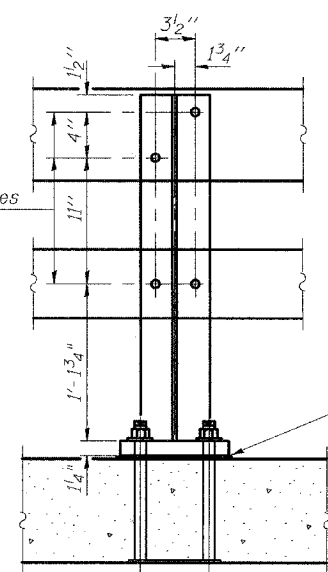
**RAIL SPLICE CONNECTION AT EXPANSION JT.**



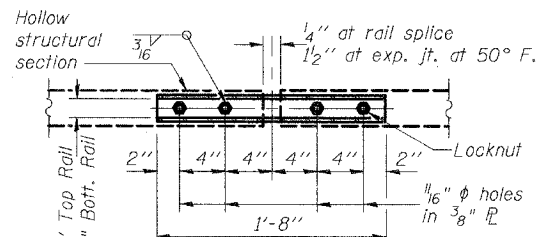
**SECTION B-B**



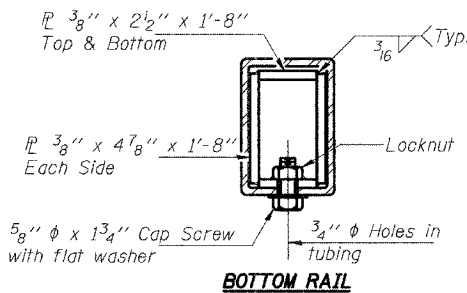
**SECTION C-C**



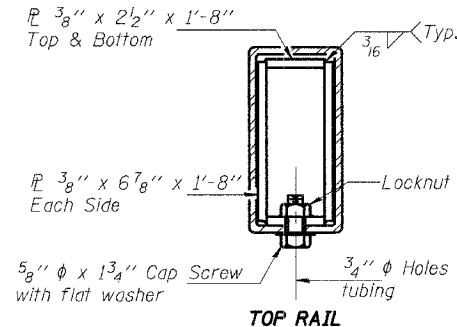
**SECTION D-D**



**PLAN-BOTT. SPLICE TYPICAL**



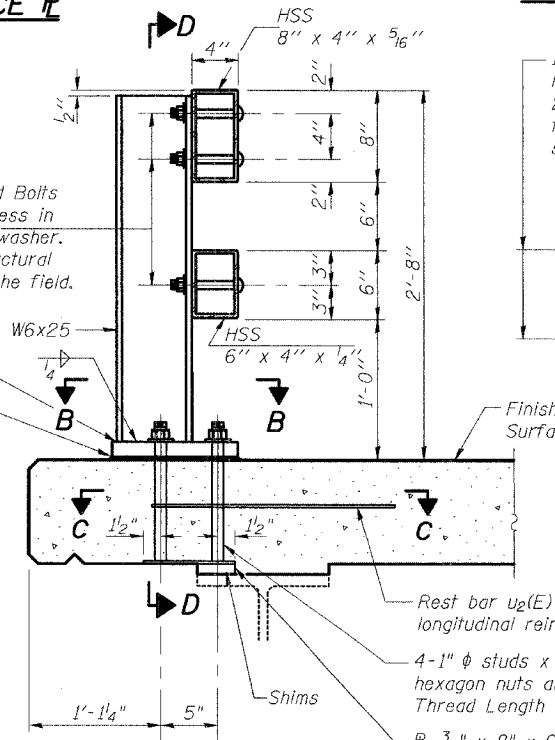
**BOTTOM RAIL**



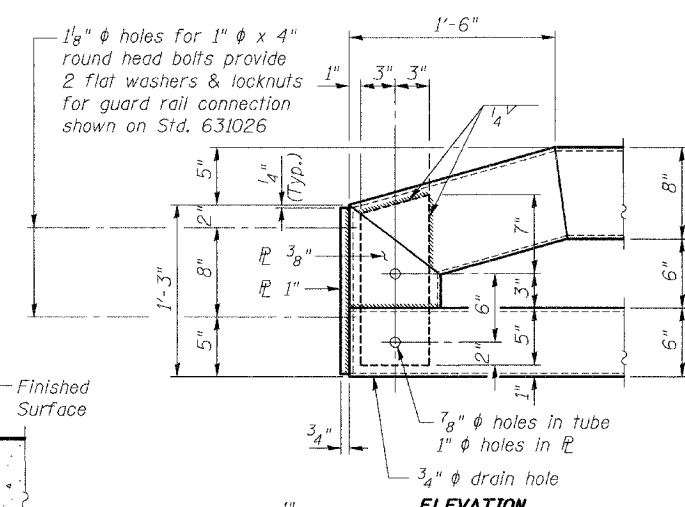
**TOP RAIL**

**SECTIONS AT RAIL SPLICE**

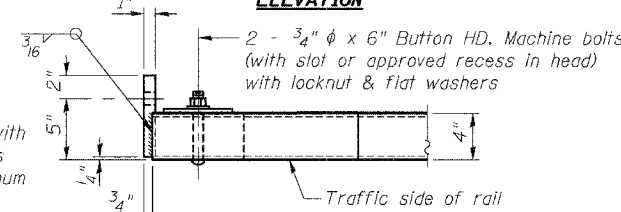
4-3/4" x 6" Round Head Bolts (With slot or approved recess in head) with locknut & flat washer. 7/8" diameter holes in hollow structural section may be drilled in the field.



**SECTION AT RAIL POST**



**ELEVATION**



**END OF RAIL DETAILS**

**NOTES**

Hollow structural sections shall conform to the requirements of ASTM designation A 500 Grade B Structural Steel Tubing and shall meet the longitudinal CVN requirements of 15 ft-lbs at 0° F.  
 All other steel shapes and plates shall conform to the requirements of AASHTO M 270 Grade 36 except posts shall conform to AASHTO M 270, Grade 50.  
 Bolts, cap screws, and nuts shall conform to the requirements of ASTM designation A 307 except for high strength bolts, nuts and washers noted which shall conform to AASHTO M 164.  
 All bolts, nuts, cap screws, washers and lock washers shall be galvanized according to AASHTO M 232.  
 All posts, railing, rail splices, anchor devices and angles shall be galvanized after shop fabrication according to AASHTO M 111 and ASTM A 385. Galvanized rail shall not be painted.  
 Railing shall be according to Section 509 of the Standard Specifications, except as noted, and will be paid for at the contract unit price per foot for Steel Bridge Rail (Special).  
 All field drilled holes shall be coated with an approved zinc rich paint before erection.  
 For multi-span bridges, sufficient 1/4" x 6" x 1'-2" galvanized steel shims shall be provided to align rail between adjacent spans. Cost included with Steel Bridge Rail (Special).  
 All posts shall be cut on bottom to match deck slope. Posts shall be vertical.  
 The quantity of U2(E) bars are included in the superstructure bill of materials on sheet #4 of 12.  
 The 1" diameter bolts connecting the post base to the concrete deck shall be drawn up tight and the threads burred at the face of the nut with a pointed tool.  
 The lower portion of the post base in contact with concrete shall have 1/8" fabric bearing pads of same dimensions as section B-B between the plates and the concrete.

**BILL OF MATERIAL**

Item	Unit	Quantity
Steel Bridge Rail (Special)	FOOT	299

REV. NO.	DRAWN	CHKD.	APPD.	DESCRIPTION	DATE
	BGJ				12/05

F.A.S. RTE. 1588 OVER CURL CREEK  
 SECTION 05-00189-00-BR  
 Project RS-1588 (106)  
 ADAMS COUNTY

STEEL BRIDGE RAIL (SPECIAL)  
 STRUCTURE NUMBER 001-3027  
 STATION 336+56