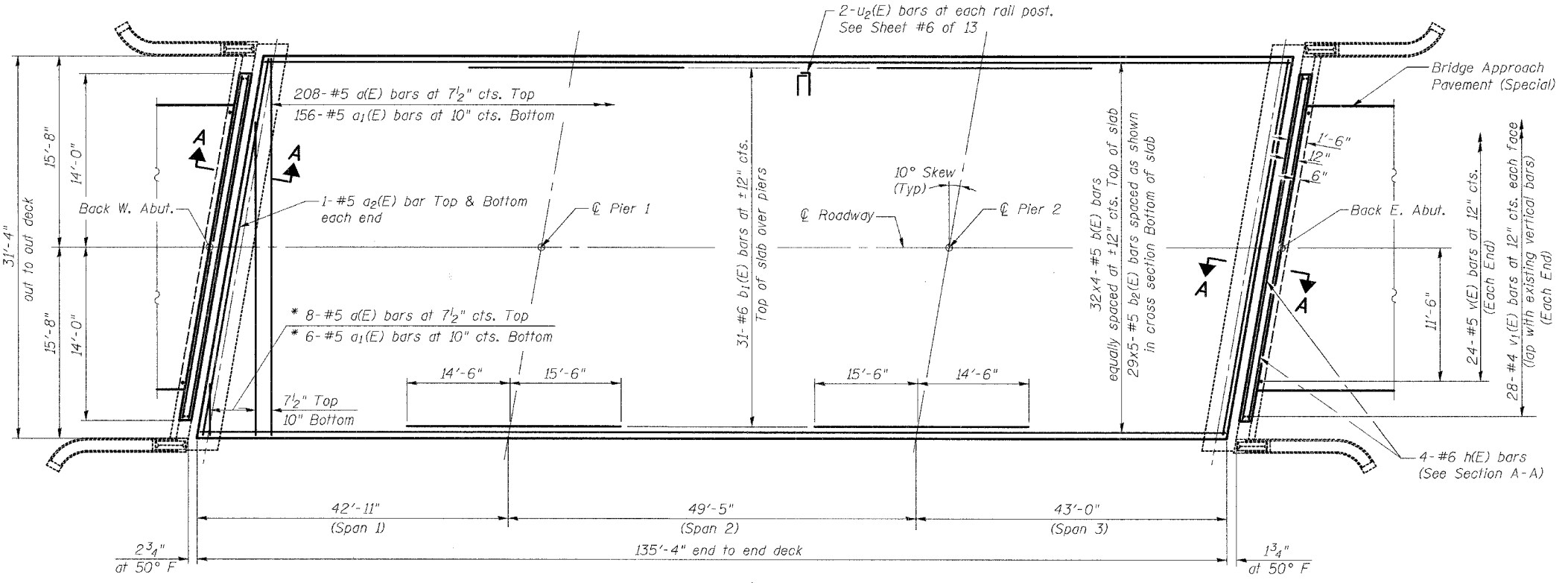


ROUTE NO.	SEC.	COUNTY	TOTAL SHEETS	SHEET NO.
FAS RTE 1588	*	ADAMS	38	29
FED. ROAD DIST. NO. 7		ILLINOIS	PROJECT	
Location #2 Structure No. 001-3028				
* 05-00189-00-BR				



Notes:
 Reinforcement bars designated (E) shall be epoxy coated.
 Bars indicated thus 20 x 3-#5 etc. indicates 20 lines of bars with 3 lengths per line.
 Adjust location of reinforcement bar in deck to miss Steel Rail Posts.
 Minimum bar lap of #5 bars = 2'-2".
 See Sheet #5 of 13 for Cross Section, Top of Abutment Backwall Removal, and Abutment Backwall Elevation.
 Existing reinforcement extending into the removal area shall be cleaned, straightened and incorporated into the new construction. Any reinforcement bars that are damaged during concrete removal shall be replaced with an approved bar splicer or anchorage system. Cost shall be included with Concrete Removal.
 Hatched areas indicate Concrete Removal.

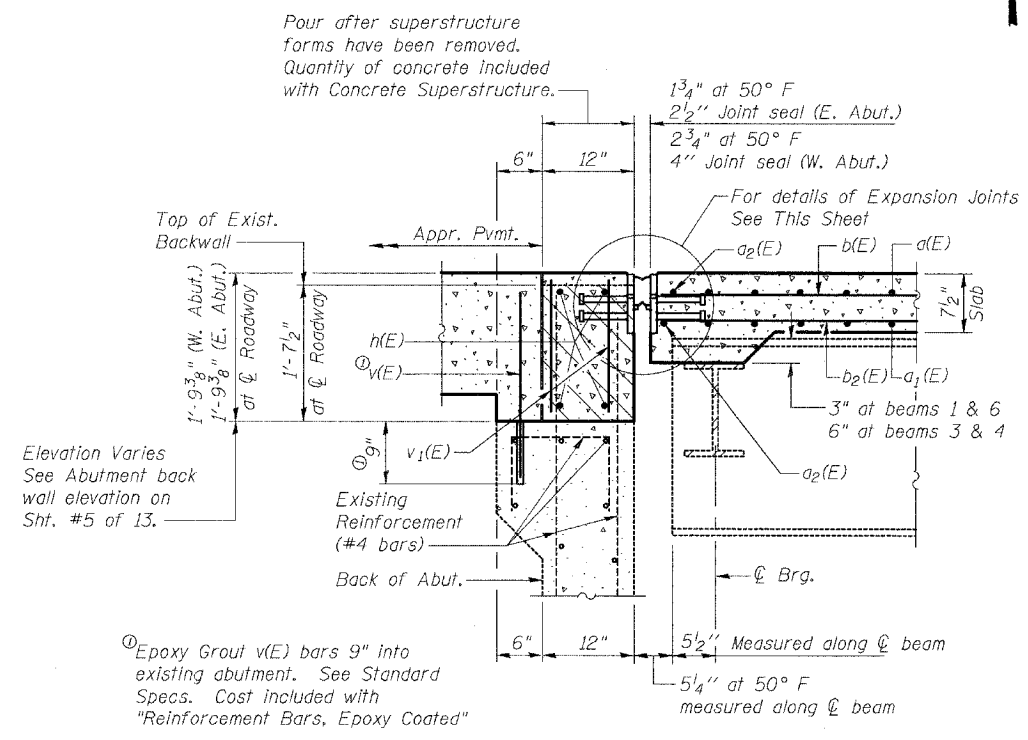
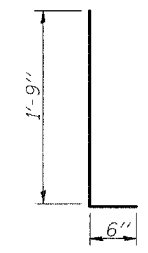
* Order a(E) & a1(E) bars full length. Cut to fit skew and use remainder of bars in opposite end.

PLAN

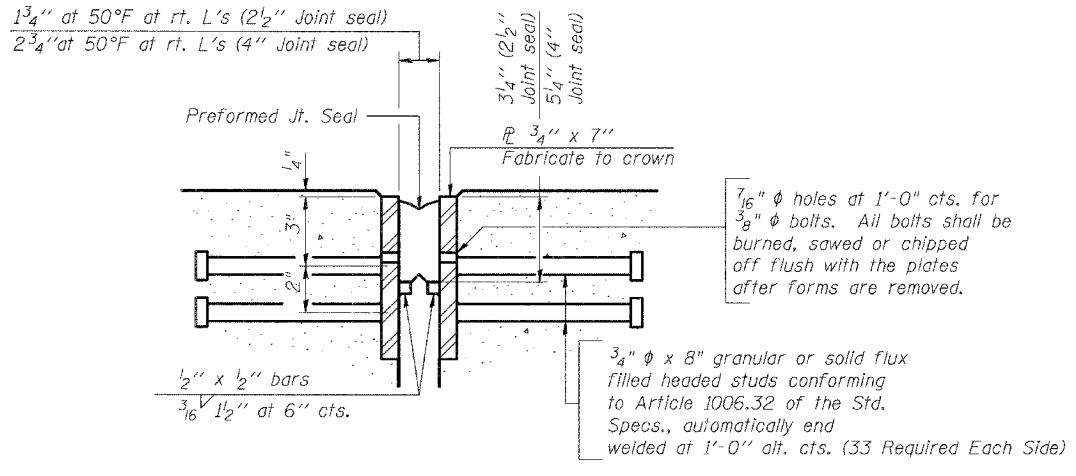
SUPERSTRUCTURE BILL OF MATERIAL

Bar	No.	Size	Length	Shape
a(E)	216	#5	31'-1"	—
a1(E)	162	#5	31'-1"	—
a2(E)	4	#5	31'-6"	—
b(E)	128	#5	35'-6"	—
b1(E)	62	#6	30'-0"	—
b2(E)	145	#5	28'-10"	—
h(E)	8	#6	28'-2"	—
v(E)	48	#5	2'-0"	—
v1(E)	112	#4	1'-2"	—
u2(E)	92	#4	2'-3"	—
Reinforcement Bars, Epoxy Coated			POUND	24,940
Concrete Superstructure			CU. YD.	107.2
Concrete Removal			CU. YD.	3.1
Protective Coat			SQ. YD.	471
Bridge Deck Grooving			SQ. YD.	421

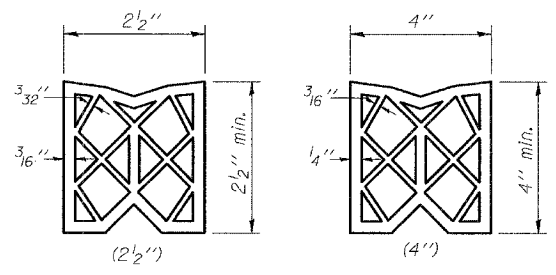
BARS u2(E)



SECTION A-A at Rt. L's to Abutment



SECTION THRU EXPANSION JOINT (2 1/2" and 4" joint seals)



PREFORMED JOINT SEAL

GENERAL NOTES

Furnish steel plates in segments of 20 feet maximum length. Maximum space between installed segments shall be 3/16". Seal space with silicone sealant suitable for structural steel.
 Cost of Structural Steel Plates, studs and bars shall be included in the unit price for Preformed Joint Seal.

BILL OF MATERIAL

Item	Unit	Total
Preformed Joint Seal 2 1/2"	FOOT	32.0
Preformed Joint Seal 4"	FOOT	32.0

REV. NO.	DRAWN	CHKD.	APPD.	DESCRIPTION	DATE
F.A.S. RTE. 1588 OVER WALNUT CREEK					
SECTION 05-00189-00-BR					
Project RS-1588 (106)					
ADAMS COUNTY					
SUPERSTRUCTURE					
STRUCTURE NUMBER 001-3028					
STATION 407+65					

9:17:09 AM
 1/25/2006
 P:\05f1.es\050014\1.inal.bridge.plans\001-3028-br-ridge.dgn