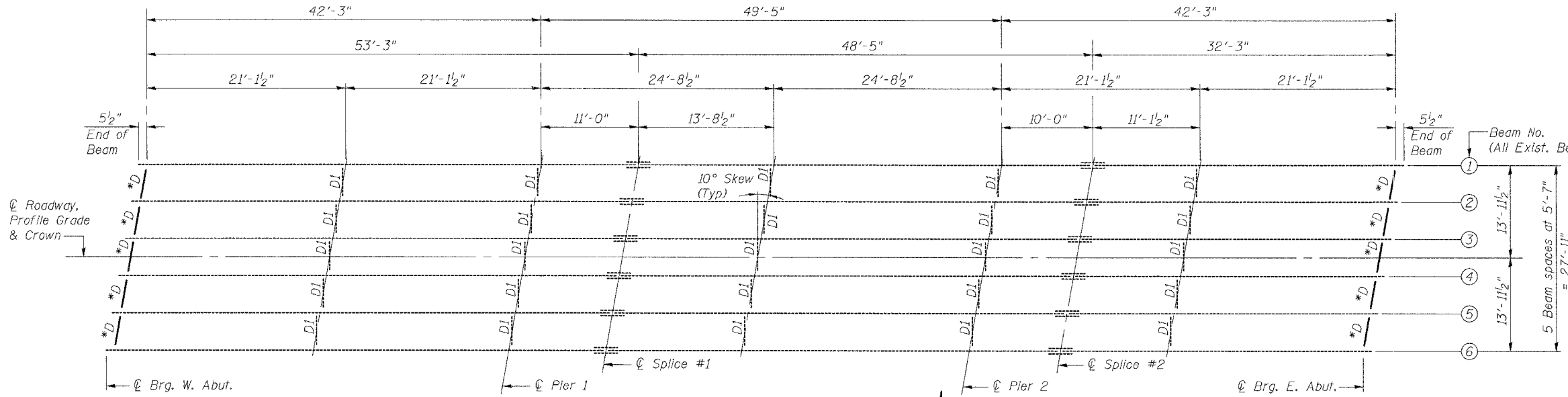


ROUTE NO.	SEC.	COUNTY	TOTAL SHEETS	SHEET NO.
FAS RTE 1588	*	ADAMS	36	32

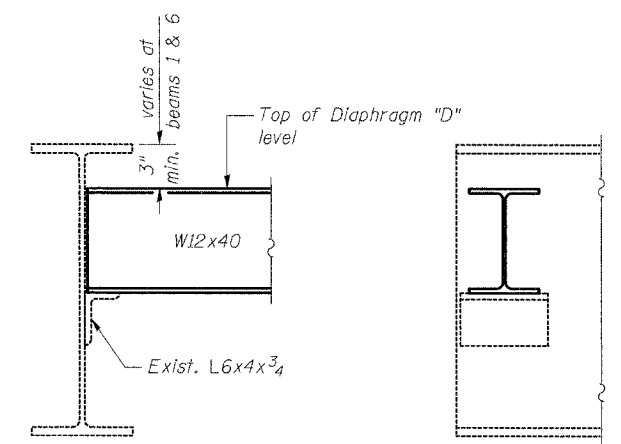
FED. ROAD DIST. NO. 7 ILLINOIS PROJECT

Location #2 Structure No. 001-3028

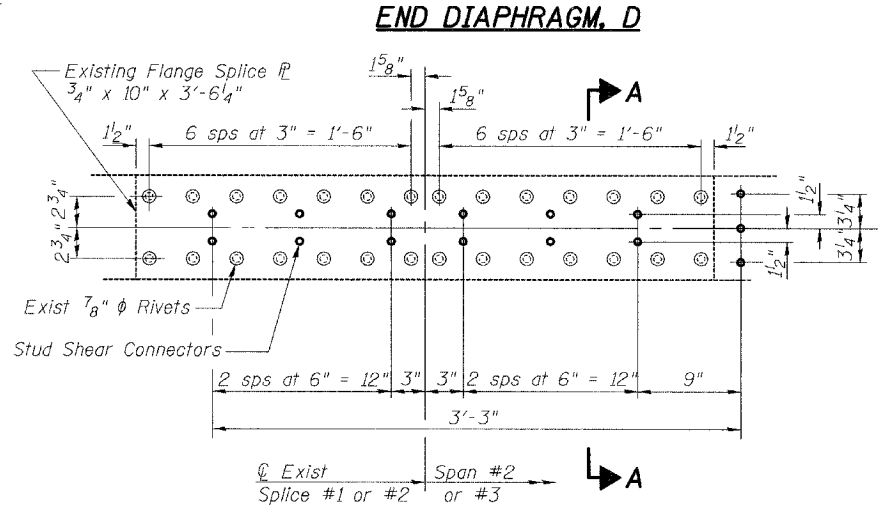
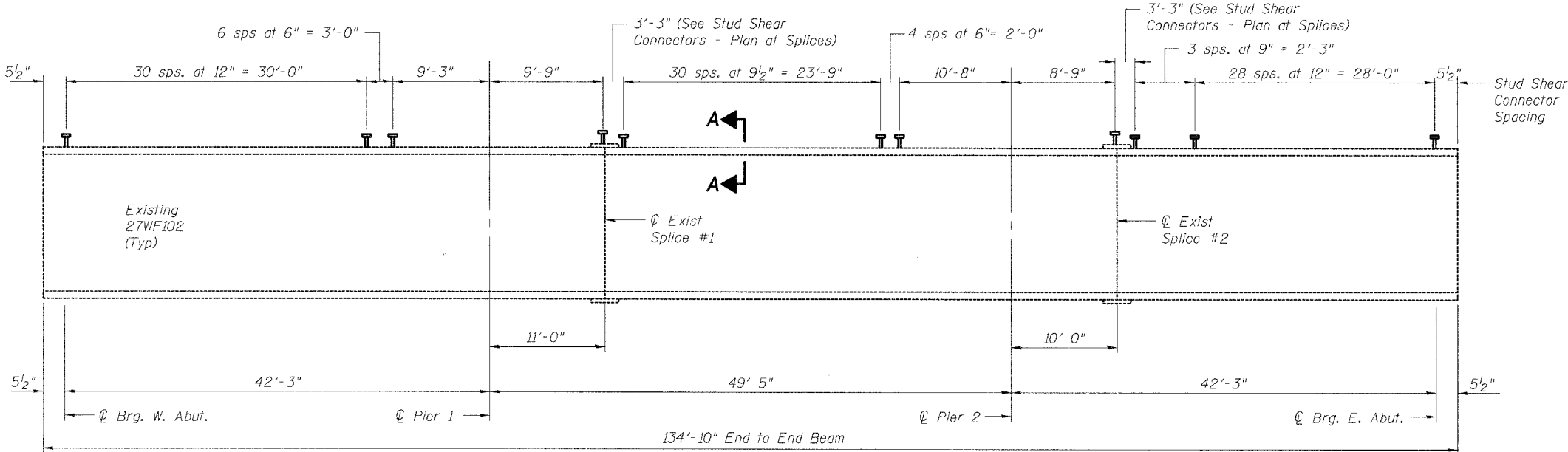
*05-00189-00-BR



Notes:
Existing Diaphragm "D1" are 12WF36.

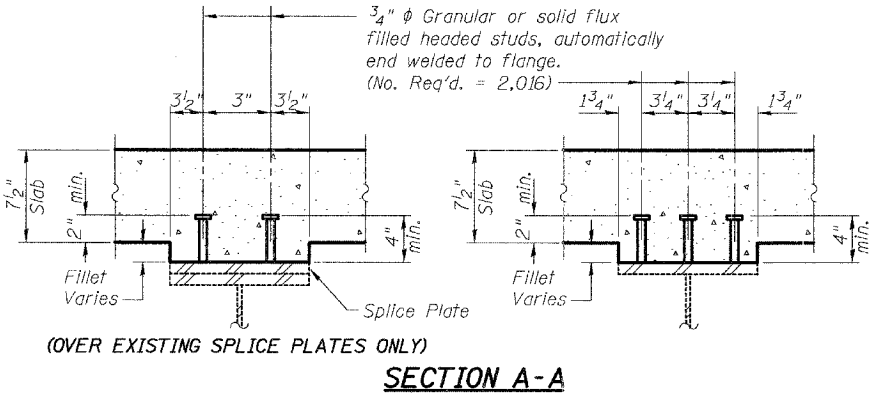


* End Diaphragms, D, to be removed and replaced in accordance with Article 109.04 of the Standard Specifications. End Diaphragms, D, will be fabricated by Adam's County.



STUD SHEAR CONNECTORS - PLAN AT SPLICES

Notes:
Adjust stud shear connector spacing in field to miss posts of the Steel Bridge Rail (Special). See sheet #6 of 13.



REV. NO.	DRAWN	CHKD.	APPD.	DESCRIPTION	DATE
	BGJ				12/05
<p>F.A.S. RTE. 1588 OVER WALNUT CREEK SECTION 05-00189-00-BR Project RS-1588 (106) ADAMS COUNTY</p> <p>STRUCTURAL STEEL DETAILS STRUCTURE NUMBER 001-3028 STATION 407+65</p>					

9/17/05 AM
 1/25/2006
 p:\0511ee\050014\frnol\bridge\plans\001-3028-bridge.dgn