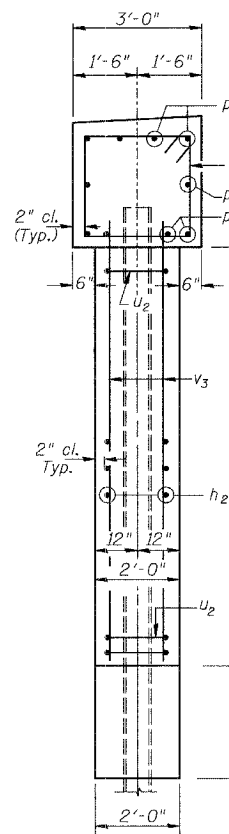
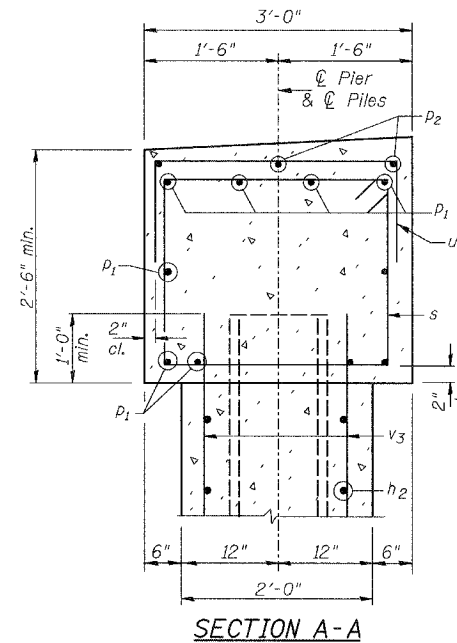
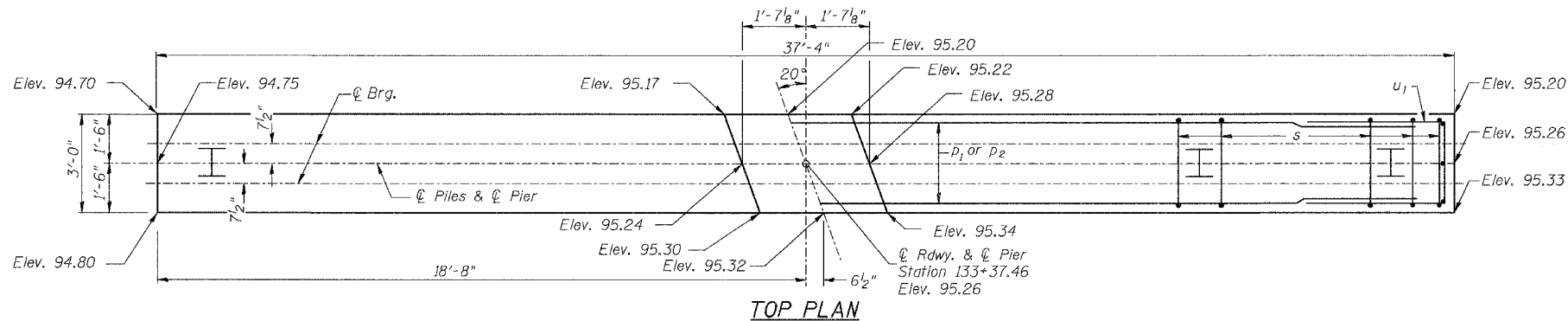


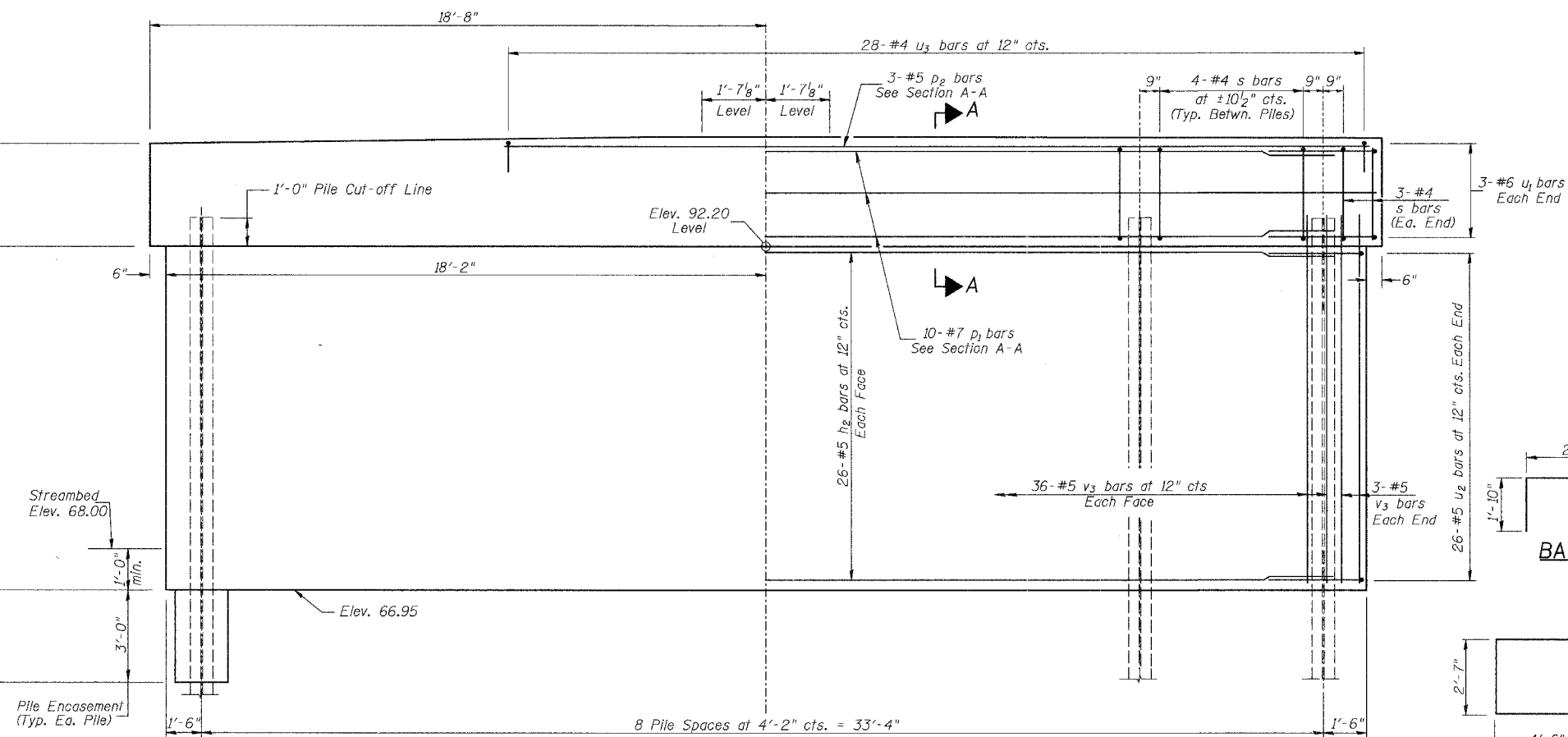
ROUTE NO.	SECTION	COUNTY	SHEET NO.	SHEET	SHEET NO. 10 11 SHEETS
CH 3	*	PIKE	17	16	
FED. ROAD DIST. NO. 7		BLDG. NO.	PROJECT	BRS-601(171)	
*04-00079-00-BR					

NOTES:
All edges shall have standard 3/4" chamfer.

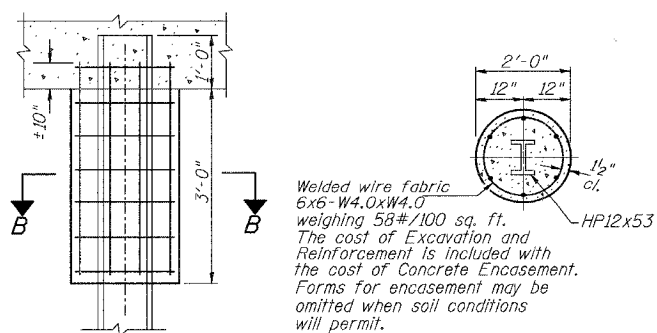
PILE DATA
Type: HP12x53 Steel Pile
Capacity: 65 Ton Driven to 100 Ton Bearing
Est. Length: 124'
No. Req'd.: 9 (Includes 1 Test Pile)



END VIEW

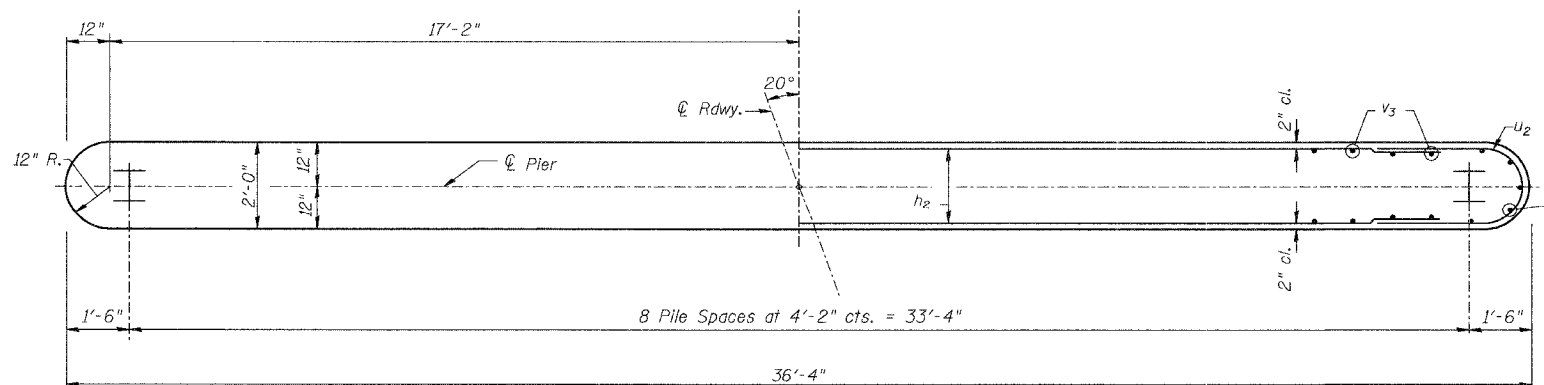


ELEVATION
(Looking Upstair)

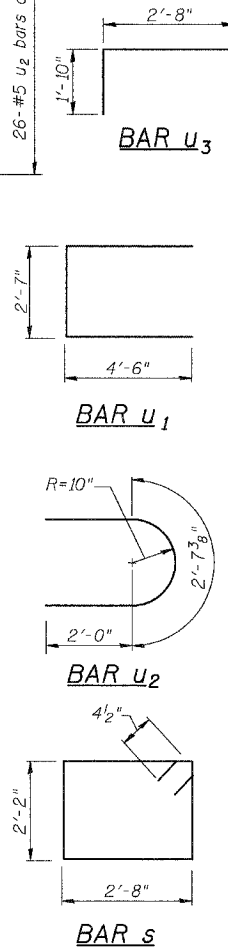


SEC. B-B

DETAIL OF
HP PILE ENCASEMENT



FOOTING PLAN



BILL OF MATERIAL

BAR	NO.	SIZE	LENGTH	SHAPE	
h ₂	52	#5	34'-0"	—	
p ₁	10	#7	37'-0"	—	
p ₂	3	#5	27'-0"	—	
s	38	#4	10'-5"	□	
u ₁	6	#6	11'-7"	□	
u ₂	52	#5	6'-8"	□	
u ₃	28	#4	6'-4"	□	
v ₃	78	#5	26'-1"	—	
Concrete Structures				CU YD	79.4
Reinforcement Bars				POUND	5,660
Structure Excavation				CU YD	40
Furnishing Steel Piles HP12x53				FOOT	992
Driving Steel Piles				FOOT	992
Test Pile Steel HP12x53				EACH	1
Concrete Encasement				CU YD	3.1
Underwater Structure Excavation Protection, Location 1				EACH	1

① See Special Provisions

PIER 1
C.H. 3 OVER BAY CREEK
SEC. 04-00079-00-BR
PIKE COUNTY
STATION 133+69.88