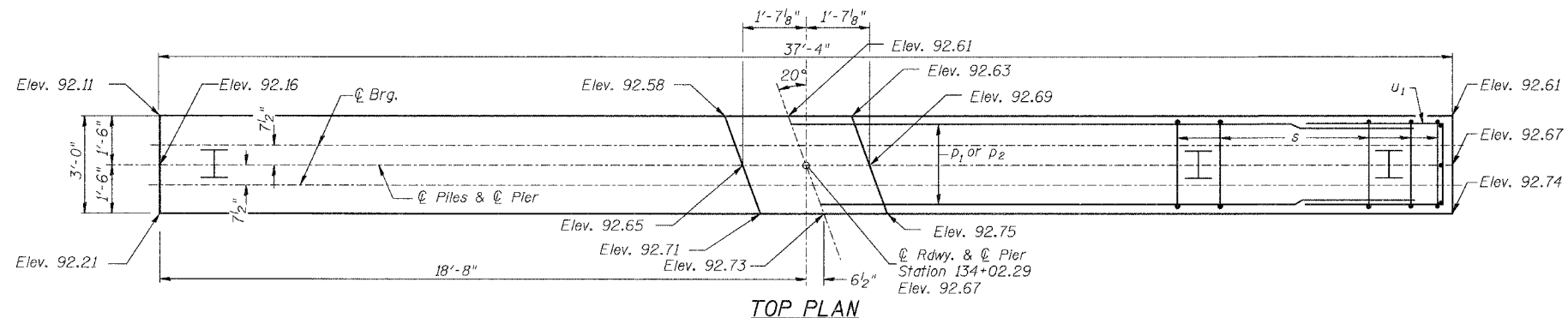


| ROUTE NO. | SECTION | COUNTY | SHEETS | SHEET |
|-----------------------|---------|----------|----------------------|-------|
| CH 3 | * | PIKE | 17 | 17 |
| FED. ROAD DIST. NO. 7 | | ILLINOIS | PROJECT BRS-601(171) | |

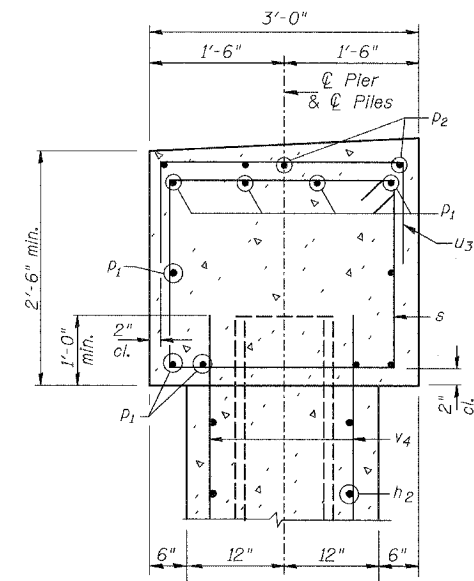
*04-00079-00-BR

NOTES:
All edges shall have standard 3/4" chamfer.

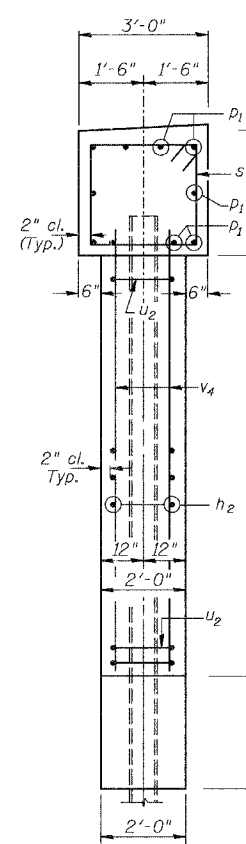
PILE DATA
Type: HP12x53 Steel Pile
Capacity: 65 Ton Driven to 100 Ton Bearing
Est. Length: 76'
No. Req'd.: 9 (Includes 1 Test Pile)



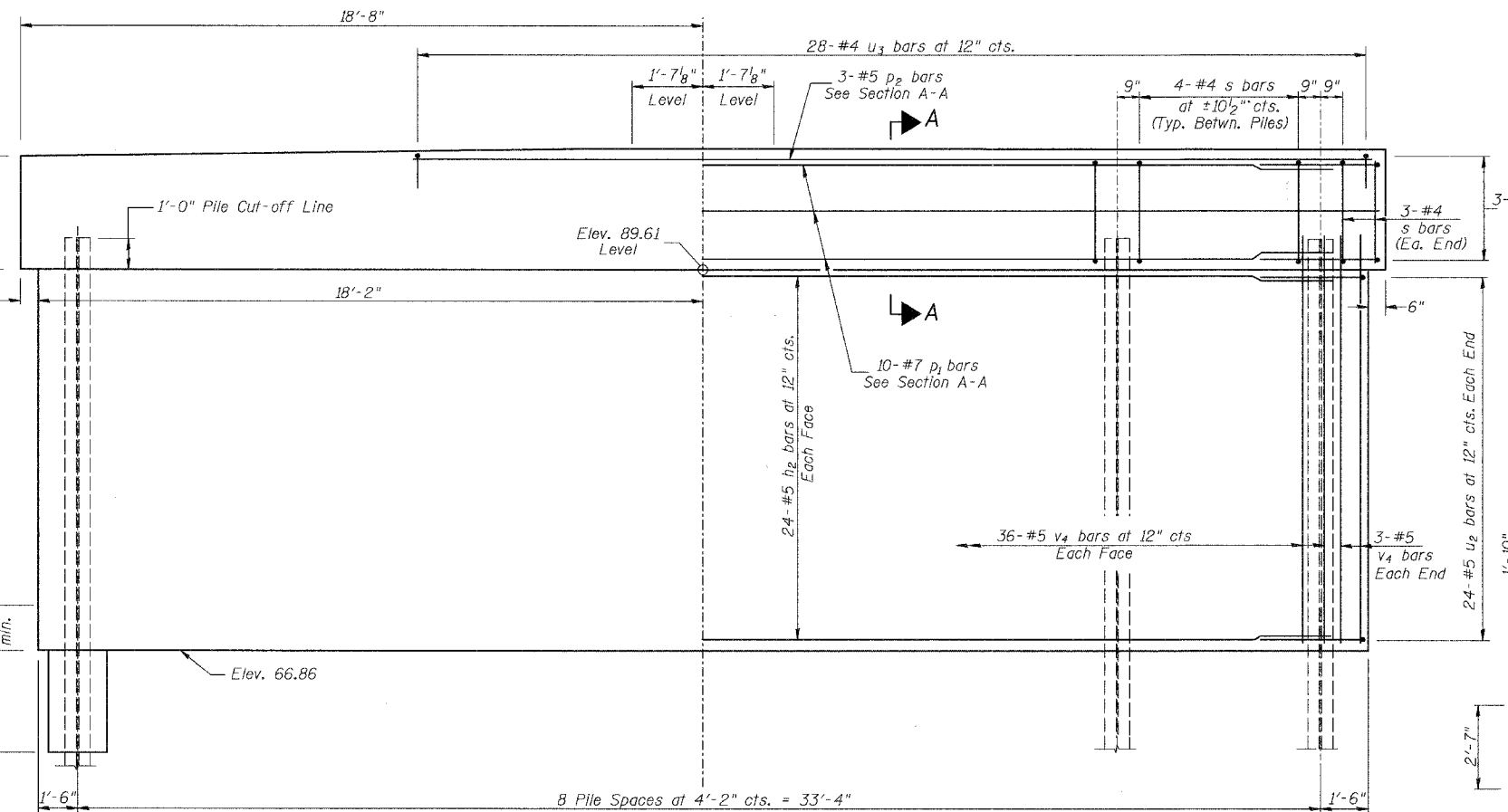
TOP PLAN



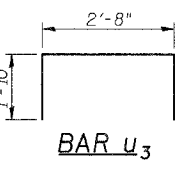
SECTION A-A



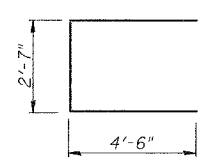
END VIEW



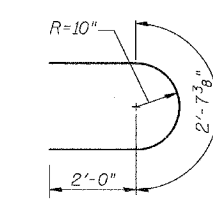
ELEVATION
(Looking Upstation)



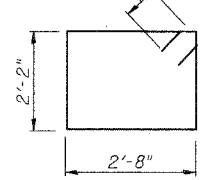
BAR U3



BAR U1



BAR U2

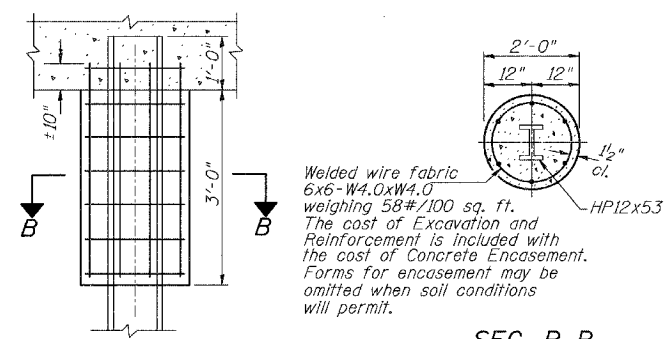


BAR S

BILL OF MATERIAL

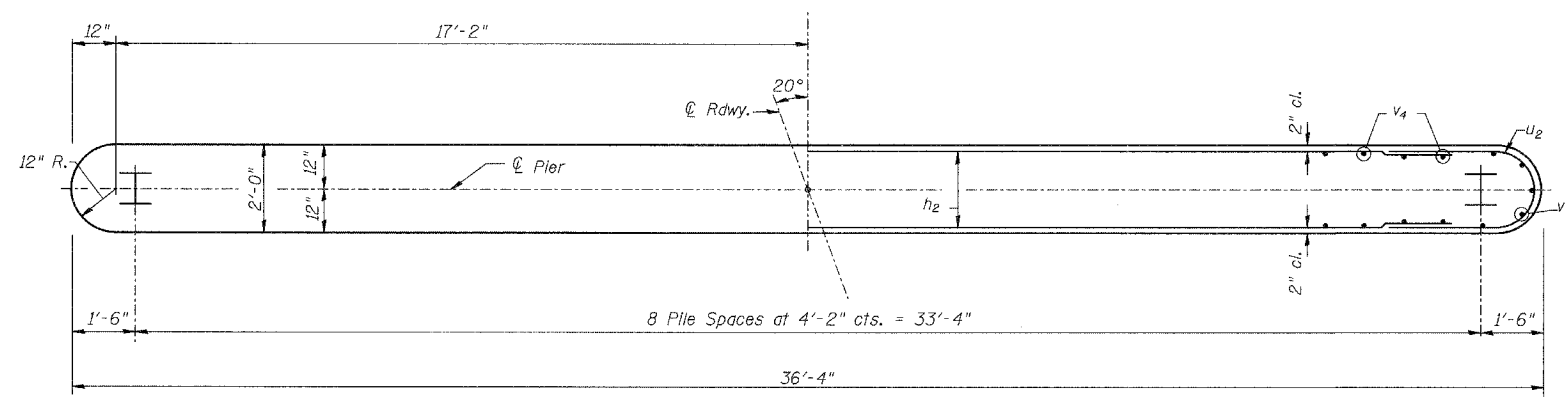
| BAR | NO. | SIZE | LENGTH | SHAPE |
|--|-----|-------|--------|-------|
| h ₂ | 48 | #5 | 34'-0" | — |
| p ₁ | 10 | #7 | 37'-0" | — |
| p ₂ | 3 | #5 | 27'-0" | — |
| s | 38 | #4 | 10'-5" | □ |
| u ₁ | 6 | #6 | 11'-7" | □ |
| u ₂ | 48 | #5 | 6'-8" | □ |
| u ₃ | 28 | #4 | 6'-4" | □ |
| v ₄ | 78 | #5 | 23'-7" | — |
| Concrete Structures | | CU YD | 72.8 | |
| ① Reinforcement Bars | | POUND | 5,280 | |
| Structure Excavation | | CU YD | 10 | |
| Furnishing Steel Piles HP12x53 | | FOOT | 608 | |
| Driving Steel Piles | | FOOT | 608 | |
| Test Pile Steel HP12x53 | | EACH | 1 | |
| Concrete Encasement | | CU YD | 3.1 | |
| ① Underwater Structure Excavation Protection, Location 2 | | EACH | 1 | |

① See Special Provisions



SEC. B-B

DETAIL OF HP PILE ENCASEMENT



FOOTING PLAN

PIER 2
C.H. 3 OVER BAY CREEK
SEC. 04-00079-00-BR
PIKE COUNTY
STATION 133+69.88