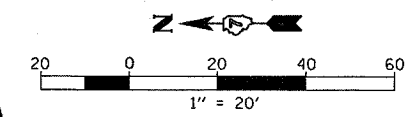
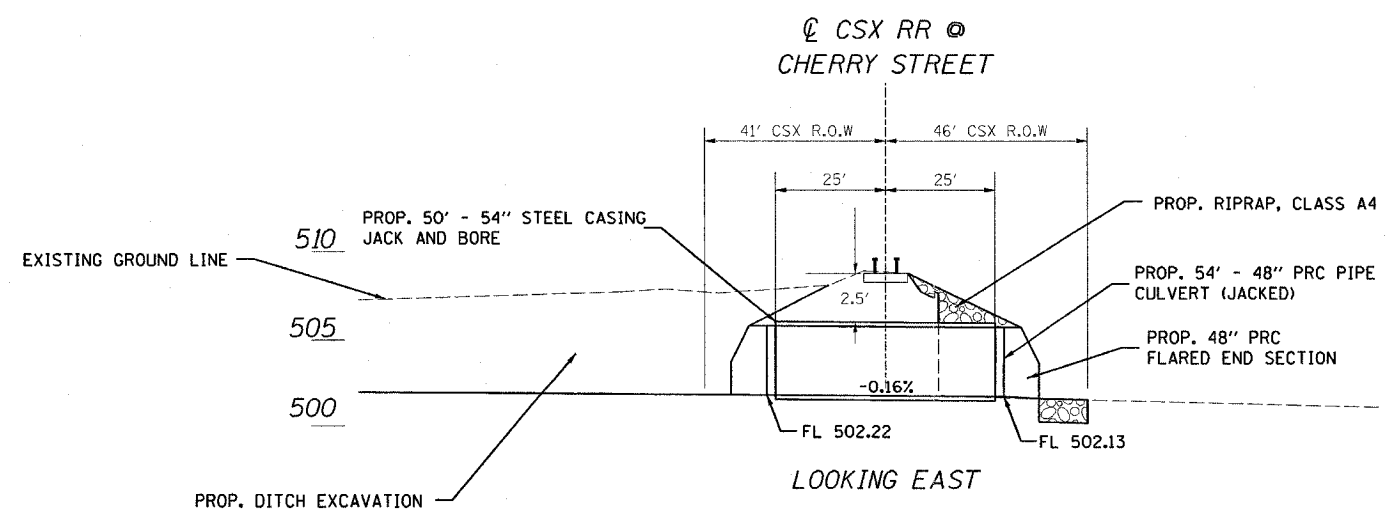
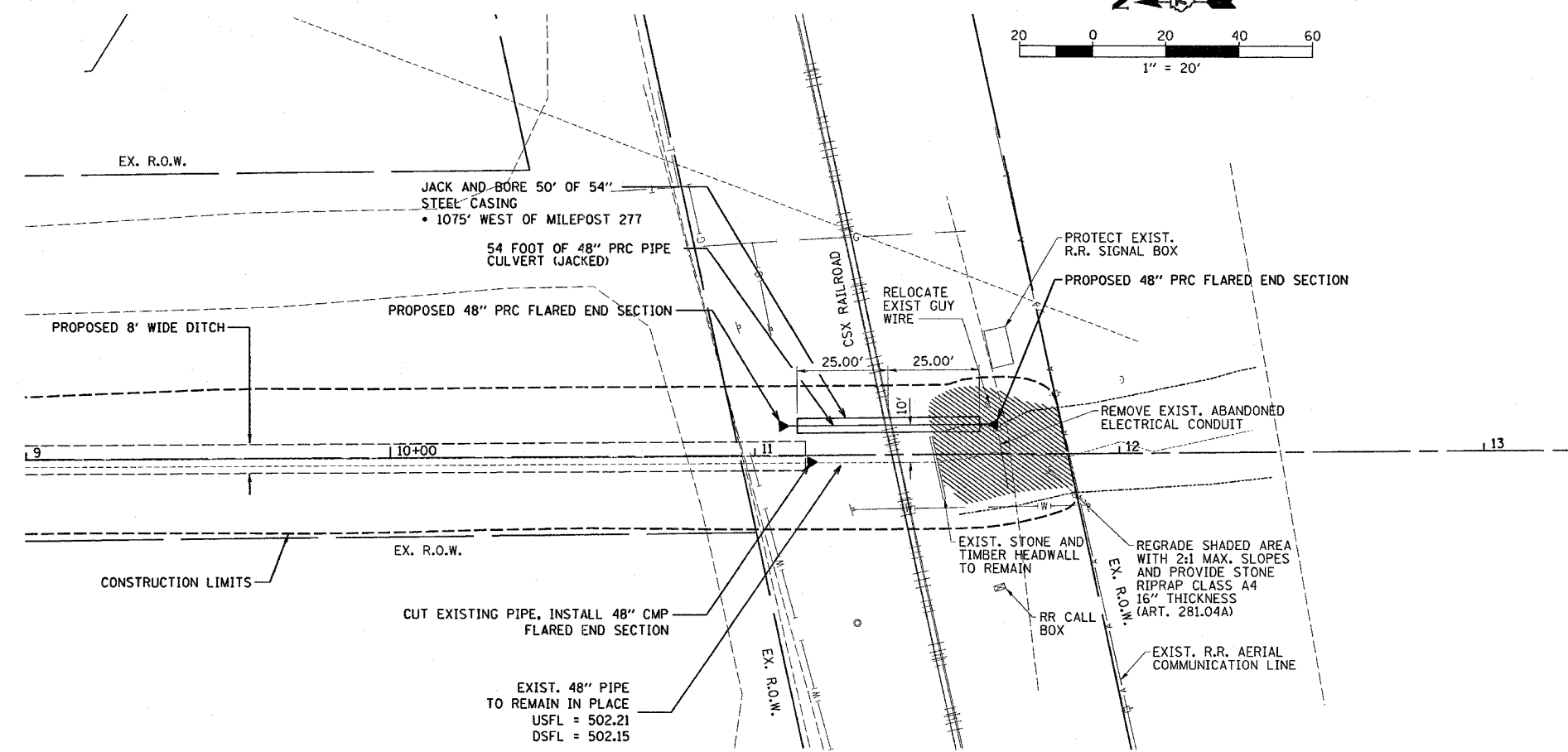


F.A.P. RTE.	SECTION	COUNTY	TOTAL SHEETS	SHEET NO.
182 & 18Y, RS 28Z	MARION	222	104A	
STA.	TO STA.			
DOT DIST. NO. 7	ILLINOIS	FED. AID PROJECT		
CONTRACT NO. 94700				



SEAL BOTH ENDS OF CASING WATER TIGHT. CASING PIPE TO HAVE MINIMUM YIELD STRENGTH OF 35,000 PSI. WALL THICKNESS TO BE A MINIMUM OF 0.875" FOR COATED PIPE AND 0.938" FOR UNPROTECTED PIPE.



REVISIONS	
NAME	DATE

ILLINOIS DEPARTMENT OF TRANSPORTATION
**CHERRY STREET
 CULVERT CROSSING
 DETAIL**
 SCALE: VERT. _____
 DATE _____
 DRAWN BY _____
 CHECKED BY _____

DATED 1/18/06