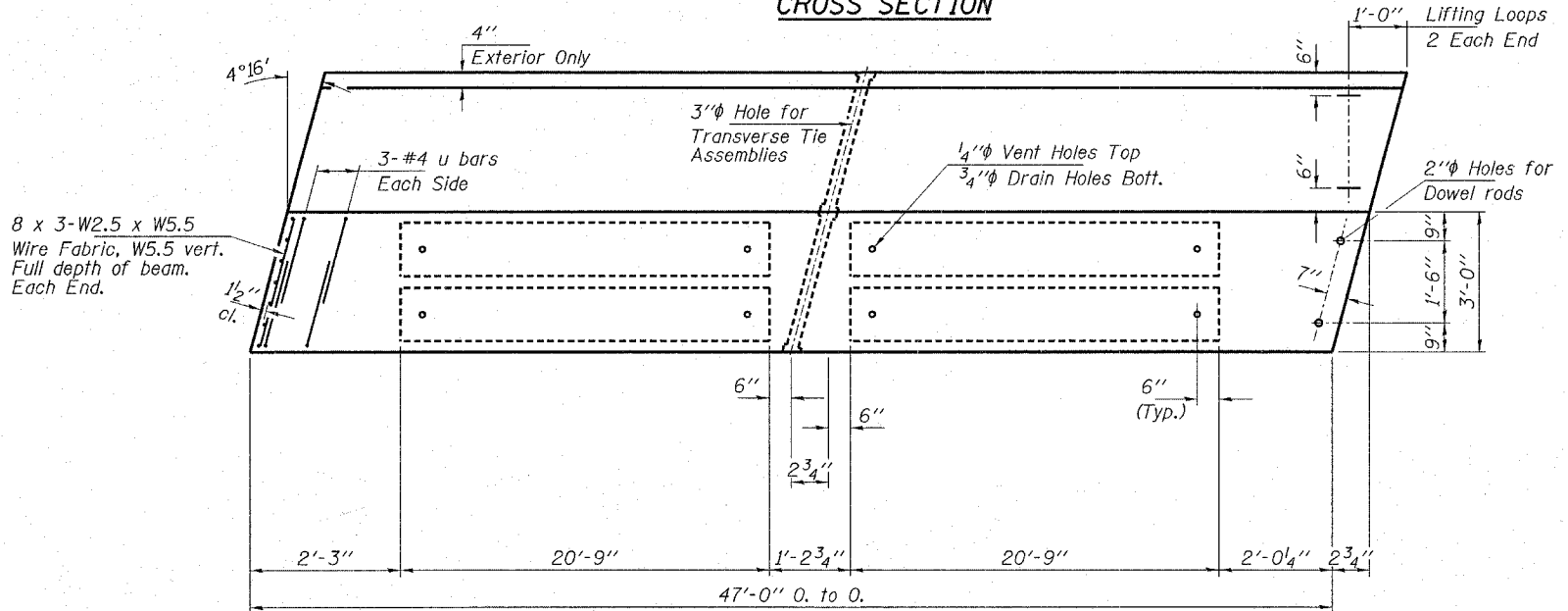
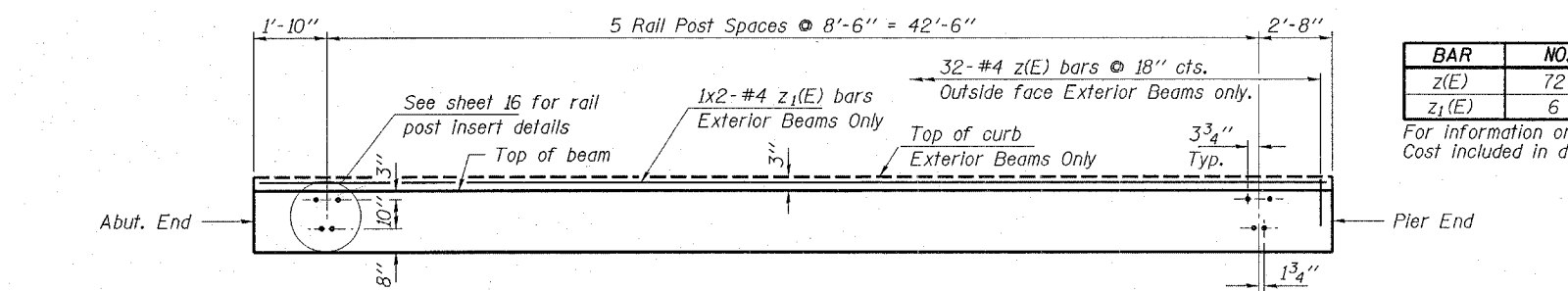


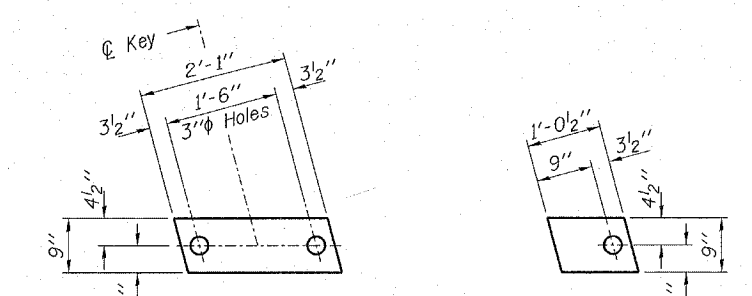
CROSS SECTION



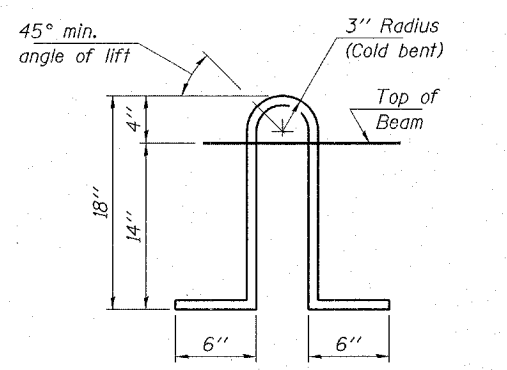
PLAN



ELEVATION OF OUTSIDE BEAMS
Showing Rail Post Spacing

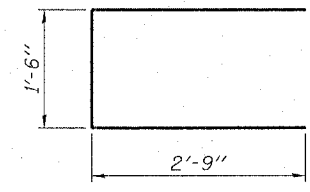


FABRIC BEARING PAD
(Interior - 32 Req'd)
FABRIC BEARING PAD
(Exterior - 8 Req'd)

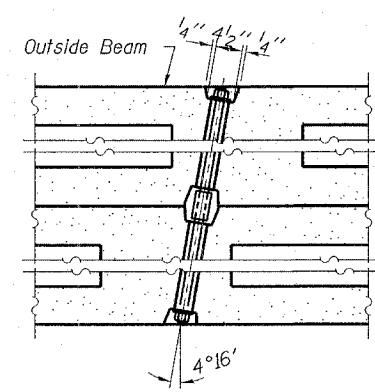


LIFTING LOOP DETAIL

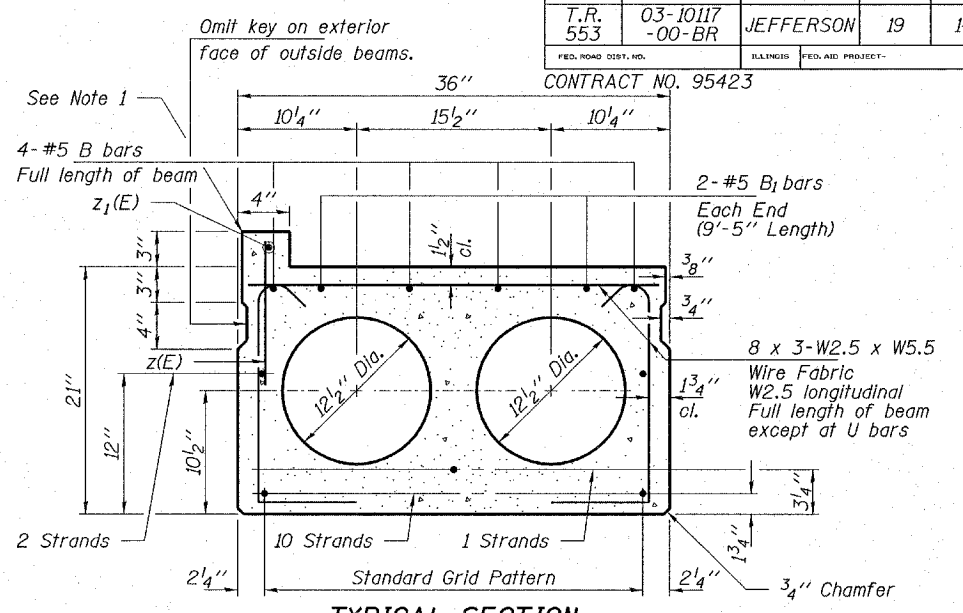
Approved alternate may be substituted for the above.
Approx. Weight of 1 Beam = 26,000 lbs.



BAR U



TYPICAL TRANSVERSE TIE ASSEMBLY



TYPICAL SECTION

13-1/2" φ Strands, Each Strand Stressed to 30,900 Lbs.
10-Strands 1 3/4" up, 1-Strands 3/4" up, 2-Strands 12" up
Note: Place strands symmetrically about C of beam.

BAR	NO.	SIZE	LENGTH	SHAPE
z(E)	72	#4	1'-4"	—
z1(E)	6	#4	24'-0"	—

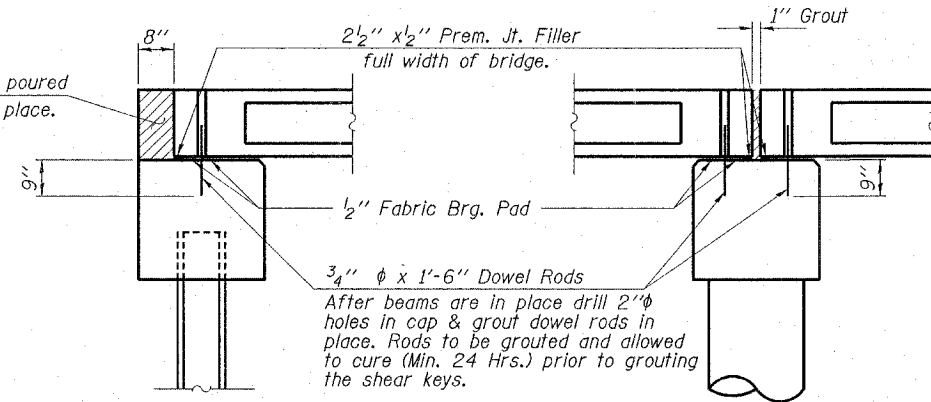
For information only.
Cost included in deck beams.

NOTES

The exterior beams shall be cast with a 4" wide x 3" high concrete curb with reinforcement cast integrally with the beam. The z(E) and z1(E) bars shall be included in the unit cost for deck beams. Prestressing steel shall be uncoated high strength, low-relaxation 7-wire strand, Grade 270. The nominal diameter shall be 1/2" and the nominal cross-sectional area shall be 0.153 sq. in. Lifting loops shall be 2-1/2" φ-270 ksi strands, as shown. Loops shall be burned off after all beams have been erected.
The 1" φ rods in the transverse tie assembly shall be tightened to a snug fit and the threads set. Pockets that receive transverse tie bar on outside shall be filled with grout after transverse tie assembly is in place.
Non-prestressing steel shall conform to the requirements of AASHTO M-31 or M-322 Grade 60. The bearing seat surfaces shall be adjusted by shimming to assure firm and even bearing. Two 1/8" fabric adjusting shims of the dimensions of the Exterior Bearing Pad shall be provided for each bearing.
Keyway surfaces shall be cleaned to remove form oil or other bond breaking material prior to shipment of the beams. Cleaning shall be done by sandblasting the keyway areas between top of the beam and the bottom edge of the key.
Required Release Strength, f'ci, shall be 4,000 p.s.i.
A Calcium Nitrate Corrosion inhibitor shall be used in the concrete for precast prestressed concrete deck beams.

BILL OF MATERIAL

ITEM	UNIT	QUANTITY
Precast Prestressed Concrete Deck Beams (21" Depth)	Sq. Ft.	2,538



SECTION AT ABUTMENTS

SECTION AT PIERS

HLR
Rice, Berry and Associates
A Division of Hampton, Lenzini and Renwick, Inc.
Civil & Structural Engineers
3085 Stevenson Drive
Suite 201
Springfield, Illinois 62703
217-546-3400
P.O. Box 1036
DuQuoin, Illinois 62832
618-790-4637
Account Number 12-49-0002-1
Date: 01/04/06
DESIGNED: S.M.S. CHECKED: S.W.M. DRAWN: D.B.

SUPERSTRUCTURE - SPANS 1 & 3
SECTION 03-10117-00-BR
MOORES PRAIRIE ROAD DISTRICT
JEFFERSON COUNTY
STR. NO. 041-9929 STATION 20+00