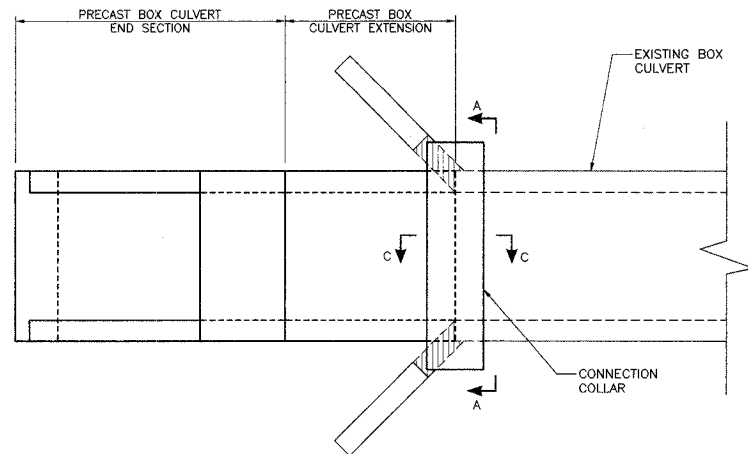
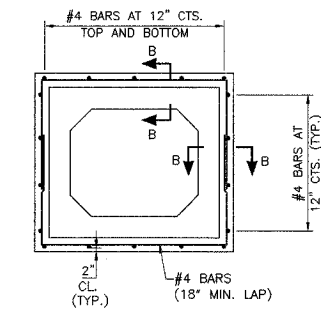


|                     |                |         |              |           |
|---------------------|----------------|---------|--------------|-----------|
| ROUTE NO.           | SECTION        | COUNTY  | TOTAL SHEETS | SHEET NO. |
| FAS 719             | 03-00108-00-RS | FAYETTE | 49           | 5         |
| FED. ROAD DIST. NO. | ILLINOIS       | PROJECT |              |           |

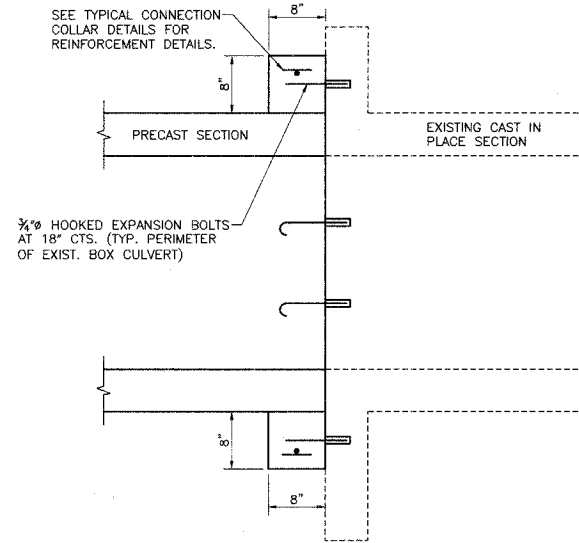
CONTRACT NO. 95460



**TYPICAL SINGLE BOX CULVERT EXTENSION PLAN**

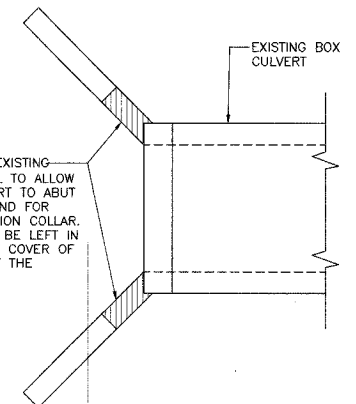


**CONNECTION COLLAR SECTION A-A**

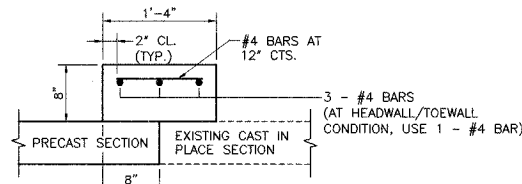


**SECTION C-C**

NOTE: BELL END OF NEW BOX CULVERT NOT PERMITTED TO ABUT EXISTING BOX CULVERT

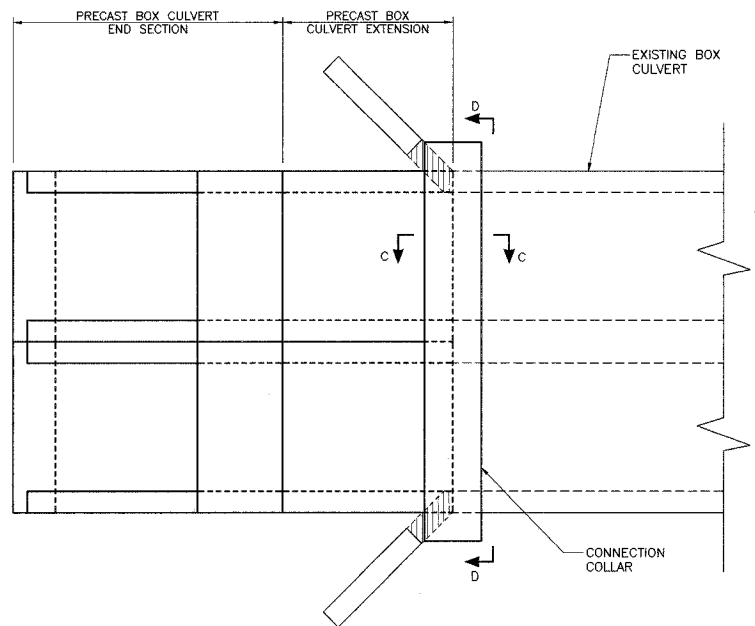


**HEADWALL/WINGWALL DEMOLITION PLAN**

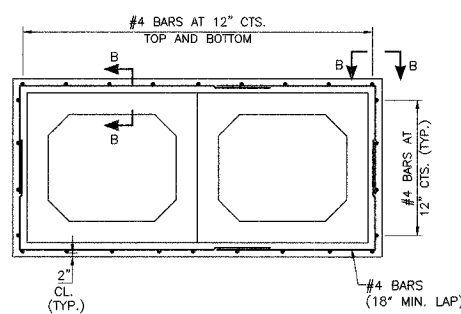


**SECTION B-B**

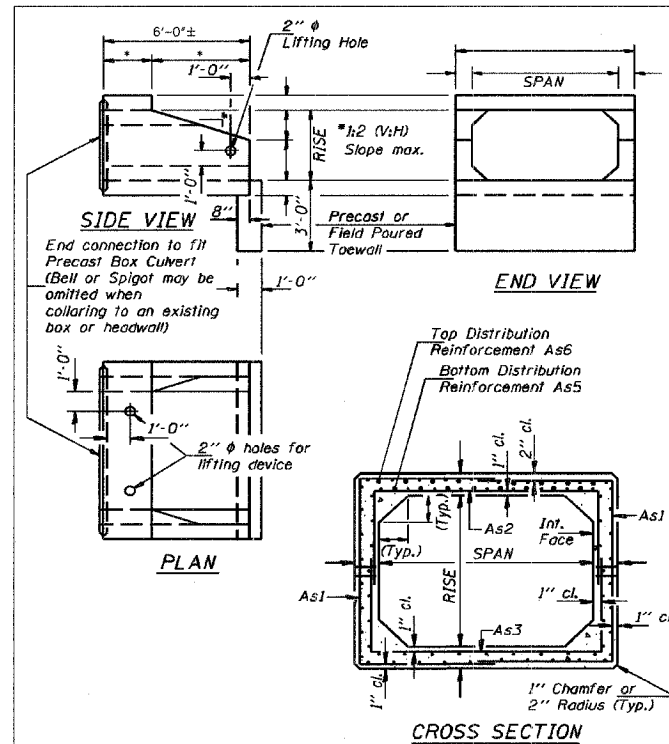
NOTE: SECTION SHOWN WITHOUT HEADWALL OR TOEWALL. WORK THIS DETAIL WITH SECTION C-C.



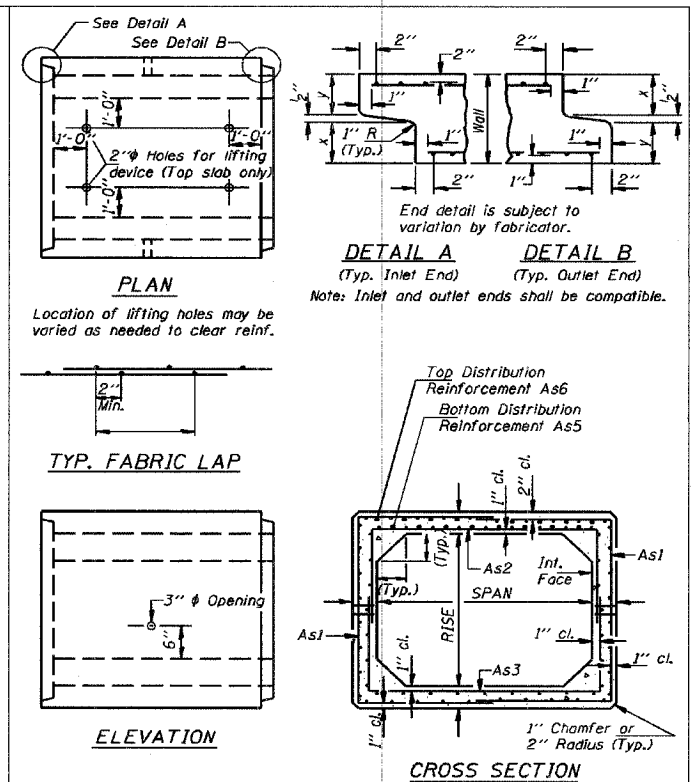
**TYPICAL DOUBLE BOX CULVERT EXTENSION PLAN**



**CONNECTION COLLAR SECTION D-D**



**PER MANUFACTURER**  
**PRECAST BOX CULVERT END SECTION FOR**  
**FILL < 2.0 ft. ; AASHTO M 273**



**PRECAST BOX CULVERT FOR**  
**FILL < 2.0 ft. ; AASHTO M 273**

NOTES:  
EXCEPT FOR PRECAST BOX CULVERT END SECTIONS AND PRECAST BOX CULVERTS, ALL WORK THIS SHEET INCIDENTAL TO CONCRETE COLLAR, SPECIAL (SPAN/HEIGHT). SEE SPECIAL PROVISIONS.  
GROUT IN LIFTING HOLES WITH NON-SHRINK GROUT.  
PROVIDE 18"x18"x18" CLEAN AGGREGATE WITH GEOTECHNICAL FABRIC AT BACKSIDE OF BOX CULVERT DRAIN HOLES.