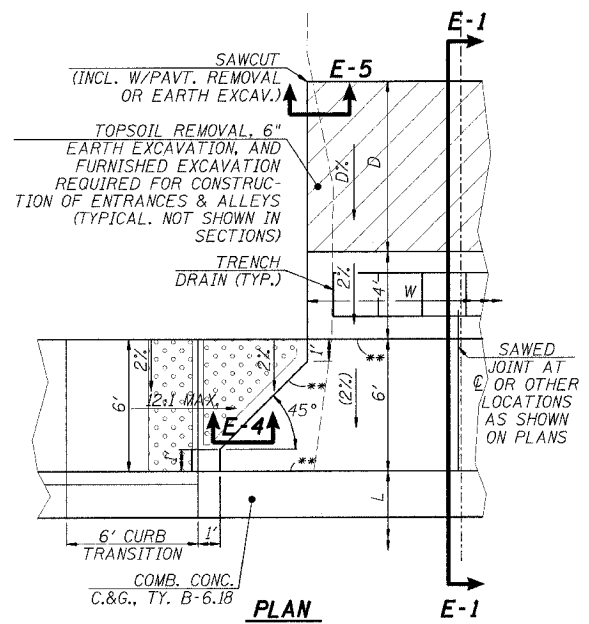
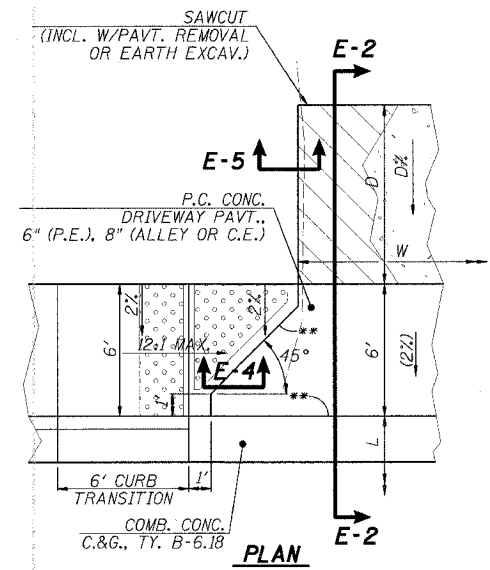


F.A.U. RTE.	SECTION	COUNTY	TOTAL SHEETS	SHEET NO.
9315	00-00032-00-RP	MONROE	49	9
STA.	TO STA.			
FED. ROAD DIST. NO.	ILLINOIS	FED. AID PROJECT		
CONTRACT NO. 97264				

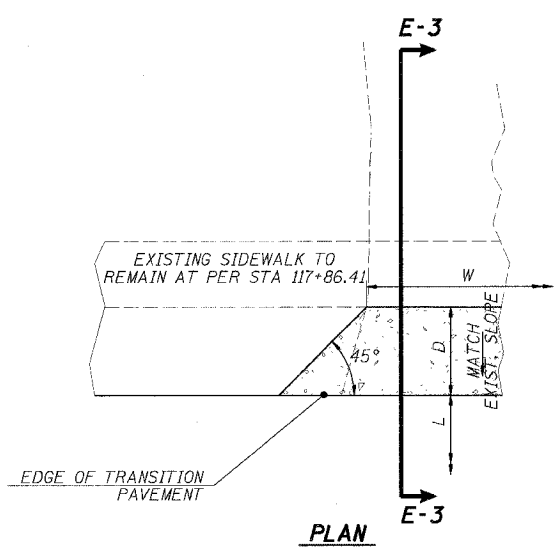


(SHOWING NO GRASS BETWEEN CURB & S. WALK, BITUMINOUS TRANSITION, AND TRENCH DRAIN)

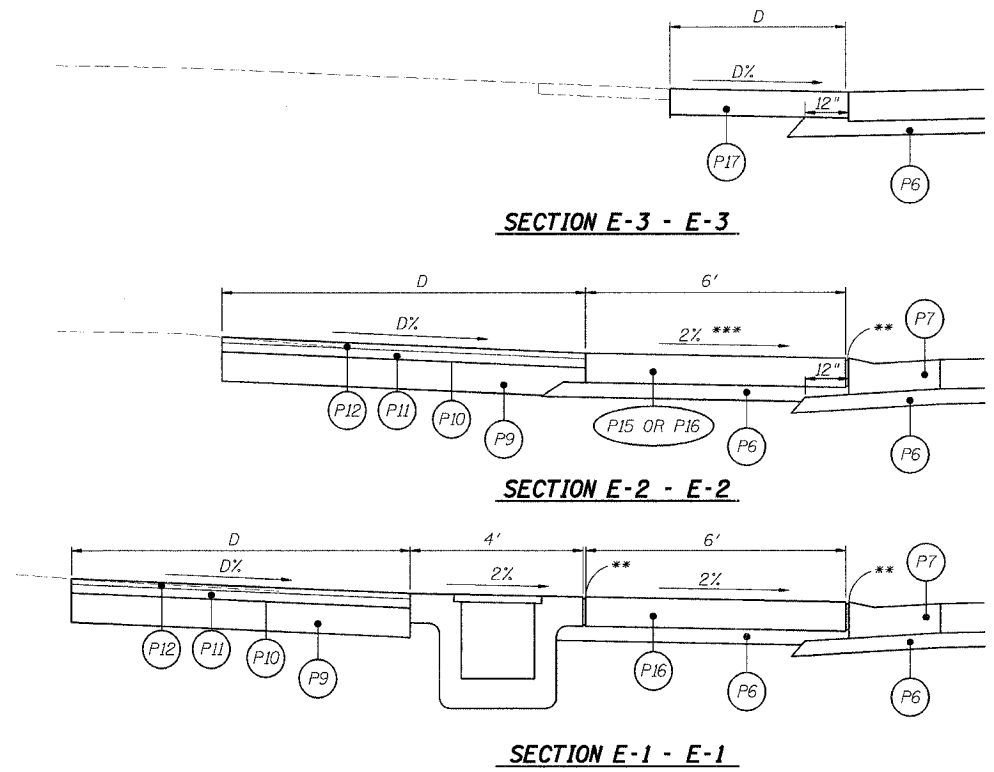
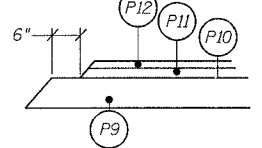
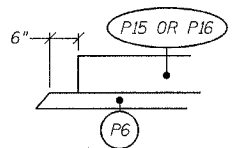
A.D.A. TRUNCATED DOMES IN P.C.C. SIDEWALK PER APPLICABLE HIGHWAY STANDARD



(SHOWING NO GRASS BETWEEN CURB & S. WALK, AND BITUMINOUS OR AGGREGATE TRANSITION)



(SHOWING AGGREGATE TRANSITIONS FOR ENTRANCES ALONG MOORE STREET BITUMINOUS TRANSITIONS)



ENTRANCE SCHEDULE

LOCATION	TYPE	L (FT)	D (FT)	DX (%)	W (FT)	P.C. CONC. DRIVEWAY PAVEMENT, 8"*	PROTECTIVE COAT	SUB-BASE GRAN. MATERIAL, TYPE A, 4"	BITUMINOUS MATERIALS (PRIME COAT)	BIT. CONC. SURFACE CSE., SUPERPAVE MIX. "C", N50 (1-1/2")	BITUMINOUS CONCRETE BINDER CSE., SUPERPAVE IL-19.0, N50 (2-1/2")	SUB-BASE GRAN. MATERIAL, TYPE A, 8"	AGGREGATE SURFACE COURSE TYPE A, 8"	PAVEMENT REMOVAL
		(FT)	(FT)	(%)	(FT)	(SY)	(SY)	(SY)	(GALLON)	(TON)	(TON)	(SY)	(SY)	(SY)
FAU 9315 (MOORE STREET)														
RT. STA. 114+16.63	C.E.	21.08	39' & VARIES	15.6% & VARIES	51.10	54.1	-	55.2	-	-	-	-	-	-
RT. STA. 115+27.63	C.E.	21.08	37' & VARIES	5.0% & VARIES	61.60	64.3	-	65.5	41.5	9.1	15.4	114.7	-	90.5
RT. STA. 113+85 - STA. 114+99	LOT	N.A.	N.A.	N.A.	N.A.	-	-	-	-	-	-	-	377.9	-
(AGGREGATE BEHIND PCC)														
RT. STA. 115+21 - STA. 115+80	LOT	N.A.	N.A.	N.A.	N.A.	-	-	-	-	-	-	-	163.6	-
(AGGREGATE BEHIND PCC)														
LT. STA. 115+21.74	C.E.	21.08	27.50	-8.7% & VARIES	52.10	37.0	-	37.9	-	-	-	-	-	-
LT. STA. 115+81.94	C.E.	21.08	14.70	-2.0% & VARIES	16.80	13.9	-	14.8	-	-	-	-	-	-
LT. STA. 114+97.30 - STA. 115+91.51	LOT	N.A.	N.A.	N.A.	N.A.	-	-	-	-	-	-	-	206.1	-
(AGGREGATE BEHIND PCC)														
LT. STA. 116+18.05	C.E.	21.08	8.80	0.5%	27.80	33.1	-	34.3	10.3	2.3	3.8	28.5	-	161.0
LT. STA. 116+33.21 - STA. 116+91	LOT	N.A.	N.A.	N.A.	N.A.	-	-	-	30.2	6.7	11.2	81.8	-	-
LT. STA. 117+86.41	P.E.	19.83	4.00	15.2%	12.50	-	-	-	-	-	-	-	6.4	-
TOTALS						203	203	208	82	19	31	225	754	252

NOTE THAT "LOT" INDICATES PARKING LOTS ADJACENT TO THE ENTRANCES - LOCATIONS ARE FURTHER IDENTIFIED ON THE PLAN AND PROFILE SHEETS.

SECTION LEGEND

- (P6) SUBBASE GRANULAR MATERIAL, TYPE A, 4"
- (P7) COMBINATION CONCRETE CURB AND GUTTER, TYPE B-6.18
- (P9) SUBBASE GRANULAR MATERIAL, TYPE A, 8"
- (P10) BITUMINOUS MATERIALS (PRIME COAT)
- (P11) BITUMINOUS CONCRETE BINDER COURSE, SUPERPAVE, IL-19.0, N50
- (P12) BITUMINOUS CONCRETE SURFACE COURSE, SUPERPAVE, MIX "C", N50
- (P15) PORTLAND CEMENT CONCRETE DRIVEWAY PAVEMENT, 6" (PRIVATE)
- (P16) PORTLAND CEMENT CONCRETE DRIVEWAY PAVEMENT, 8" (COMMERCIAL)
- (P17) AGGREGATE SURFACE COURSE, TYPE A 8"
- * INCLUDES PAVEMENT AROUND INLET, IF PRESENT
- ** 1" EXPANSION JOINTS PER STANDARD SPECIFICATIONS
- *** SLOPE AWAY FROM PAVEMENT WHEN DX IS NEGATIVE

ILLINOIS DEPARTMENT OF TRANSPORTATION

ALLEY & ENTRANCE DETAILS AND ALLEY, ENTRANCE, & LOT PAVING SCHEDULE

SCALE _____ DRAWN BY _____
DATE _____ CHECKED BY _____

CADD FILE: 74650/FBEINR-LDSM
PLOTTED: #DATE#

ILL. & G. NO. 4650