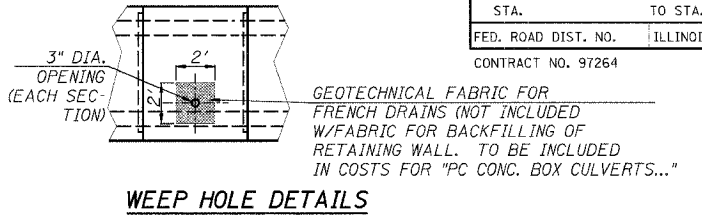
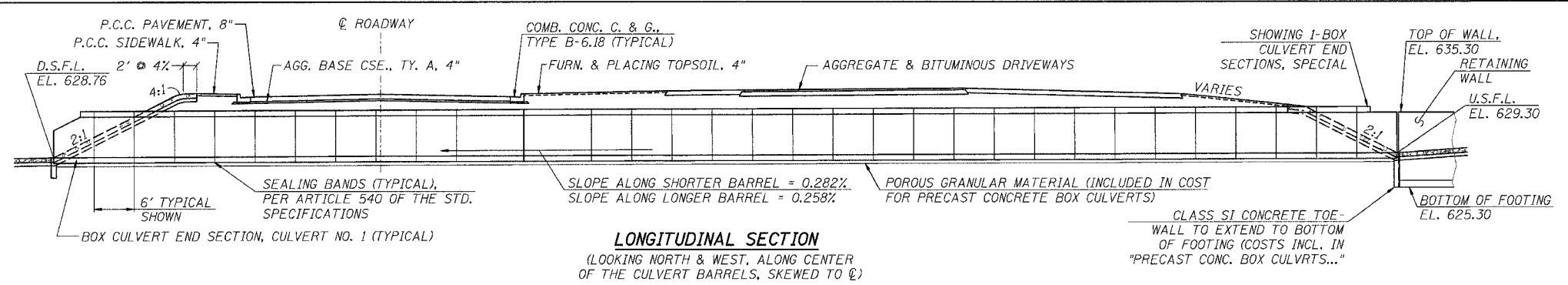
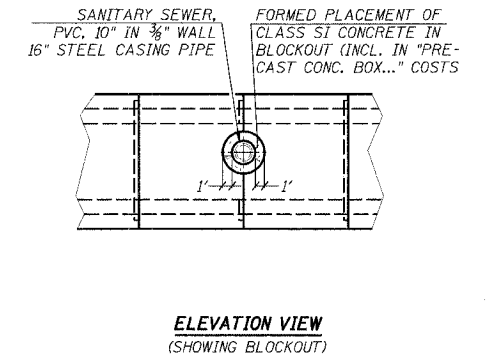
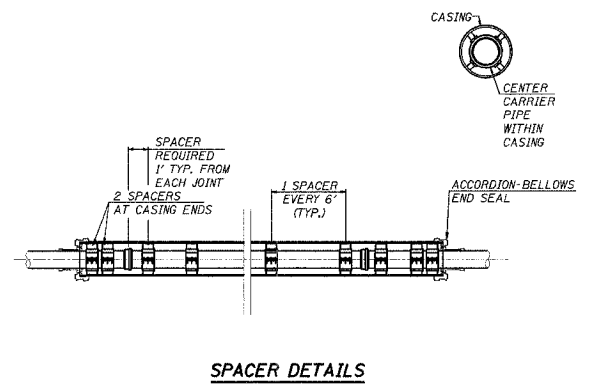
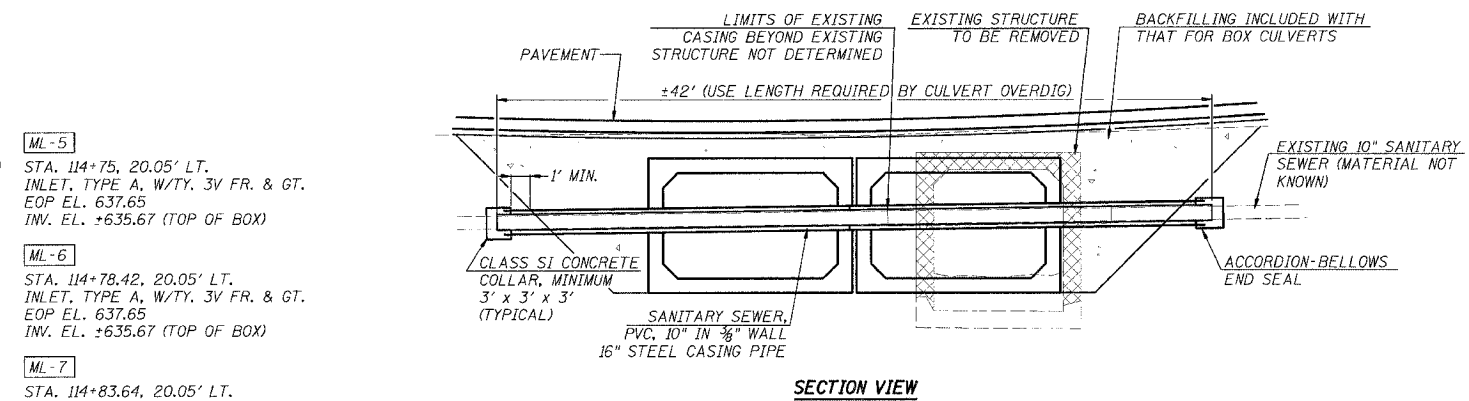


F.A.U. RTE.	SECTION	COUNTY	TOTAL SHEETS	SHEET NO.
9315	00-00032-00-RP	MONROE	49	28
STA.		TO STA.		
FED. ROAD DIST. NO.		ILLINOIS	FED. AID PROJECT	
CONTRACT NO. 97264				

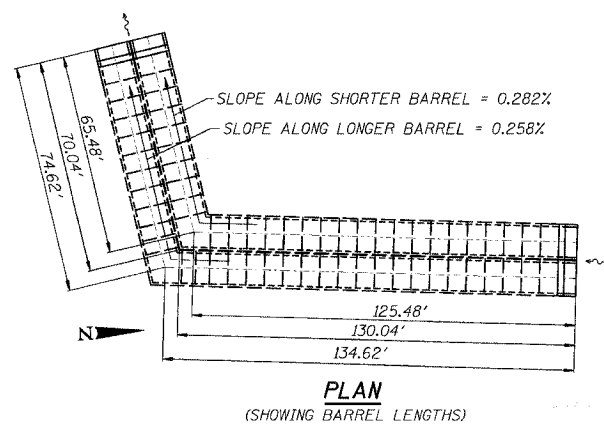
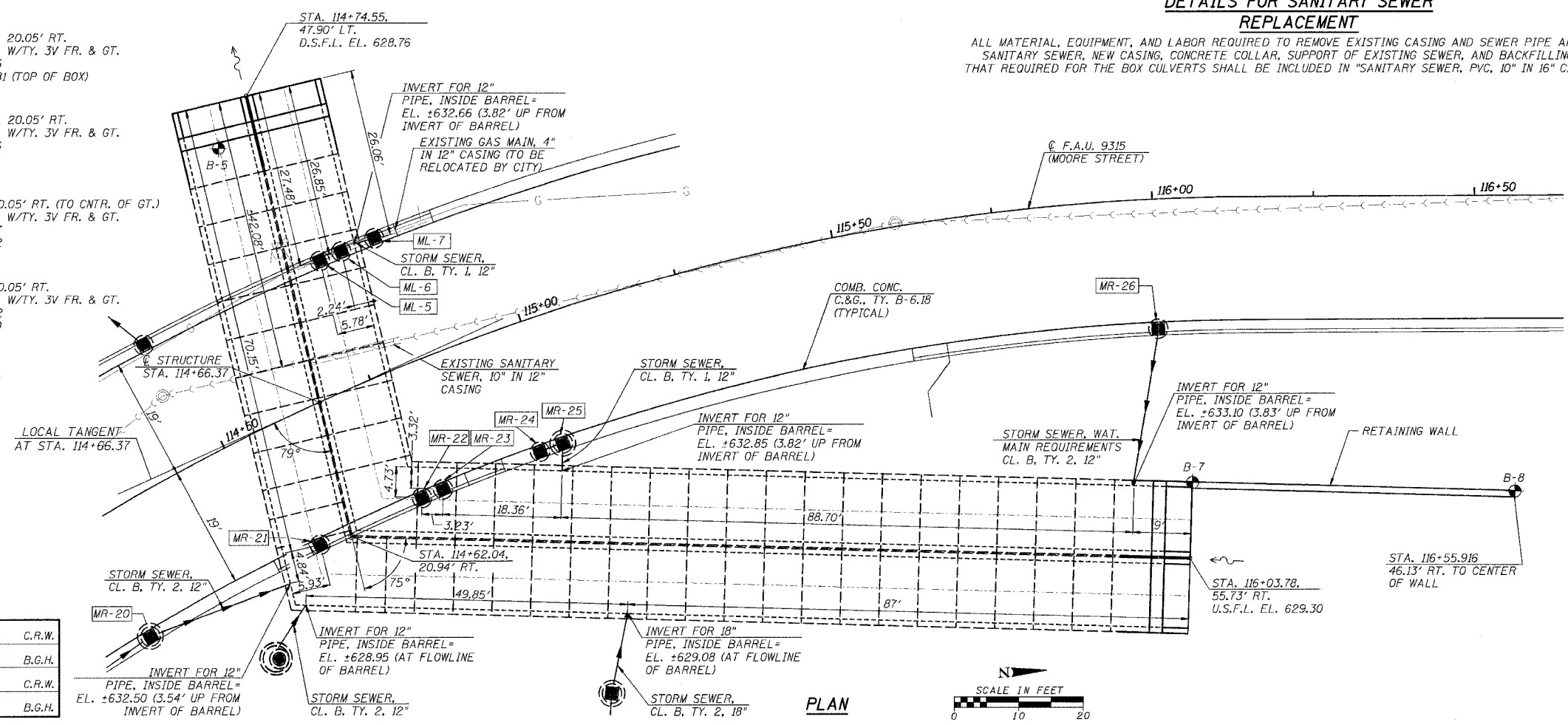


- MR-20**
STA. 114+25, 20.05' RT. (TO CNTR. OF GT.)
INLET, TYPE B, W/TY. 3V FR. & GT.
EOP EL. 637.78
INV. EL. 633.41
- MR-21**
STA. 114+56.75, 20.05 LT.
INLET, TYPE A, W/TY. 3V FR. & GT.
EOP EL. 637.68
INV. EL. 635.79 (TOP OF BOX)
- MR-22**
STA. 114+78.92, 20.05' RT.
INLET, TYPE A, W/TY. 3V FR. & GT.
EOP EL. 637.65
INV. EL. 635.79 (TOP OF BOX)
- MR-23**
STA. 114+78.92, 20.05' RT.
INLET, TYPE A, W/TY. 3V FR. & GT.
EOP EL. 637.65
INV. EL. 635.81 (TOP OF BOX)
- MR-24**
STA. 114+96.02, 20.05' RT.
INLET, TYPE A, W/TY. 3V FR. & GT.
EOP EL. 637.66
INV. EL. 633.17
- MR-25**
STA. 115+00, 20.05' RT. (TO CNTR. OF GT.)
INLET, TYPE B, W/TY. 3V FR. & GT.
EOP EL. 637.67
INV. EL. 633.02
- MR-26**
STA. 116+00, 20.05' RT.
INLET, TYPE A, W/TY. 3V FR. & GT.
EOP EL. 638.32
INV. EL. 634.09



DETAILS FOR SANITARY SEWER REPLACEMENT

ALL MATERIAL, EQUIPMENT, AND LABOR REQUIRED TO REMOVE EXISTING CASING AND SEWER PIPE AND INSTALL SANITARY SEWER, NEW CASING, CONCRETE COLLAR, SUPPORT OF EXISTING SEWER, AND BACKFILLING BEYOND THAT REQUIRED FOR THE BOX CULVERTS SHALL BE INCLUDED IN "SANITARY SEWER, PVC, 10" IN 16" CASING PIPE"



GENERAL ELEVATION & DETAILS
F.A.U. 9315 OVER DOUBLE 10'x6' CONCRETE BOX CULVERT SECTION 00-00032-01-RP MONROE COUNTY S.N. 067-6008

4690/STRUCT-2.dgn CRW AUG 26, 2003

DESIGNED:	C.R.W.
CHECKED:	B.G.H.
DRAWN:	C.R.W.
CHECKED:	B.G.H.