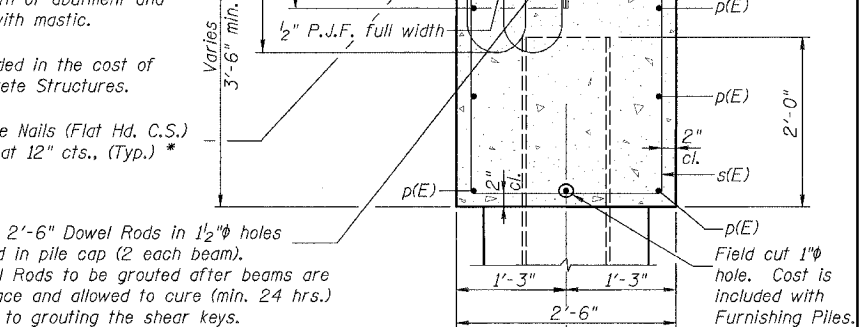
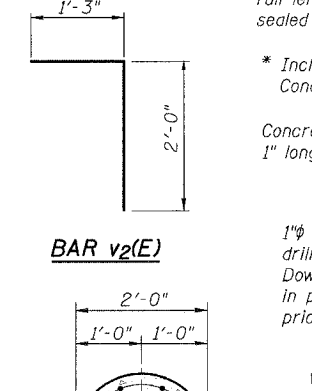
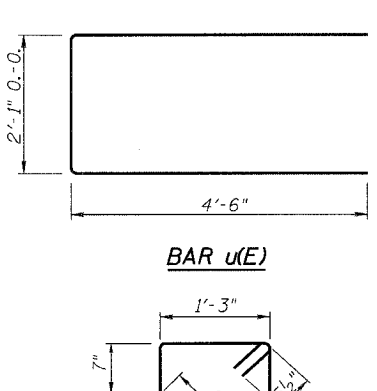
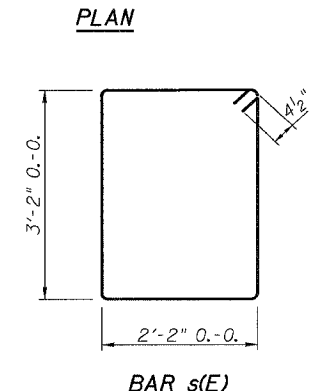
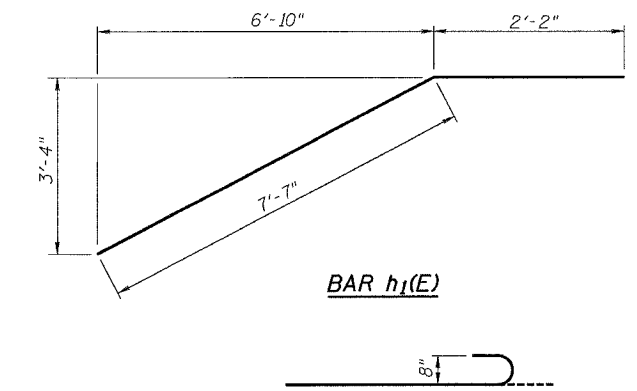
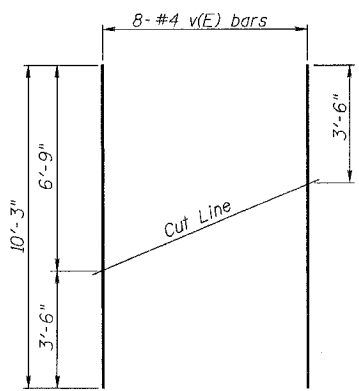
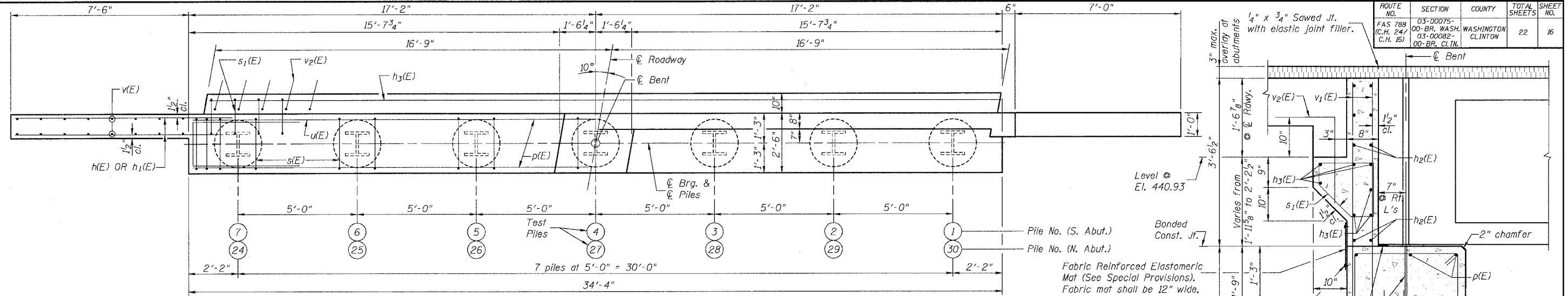


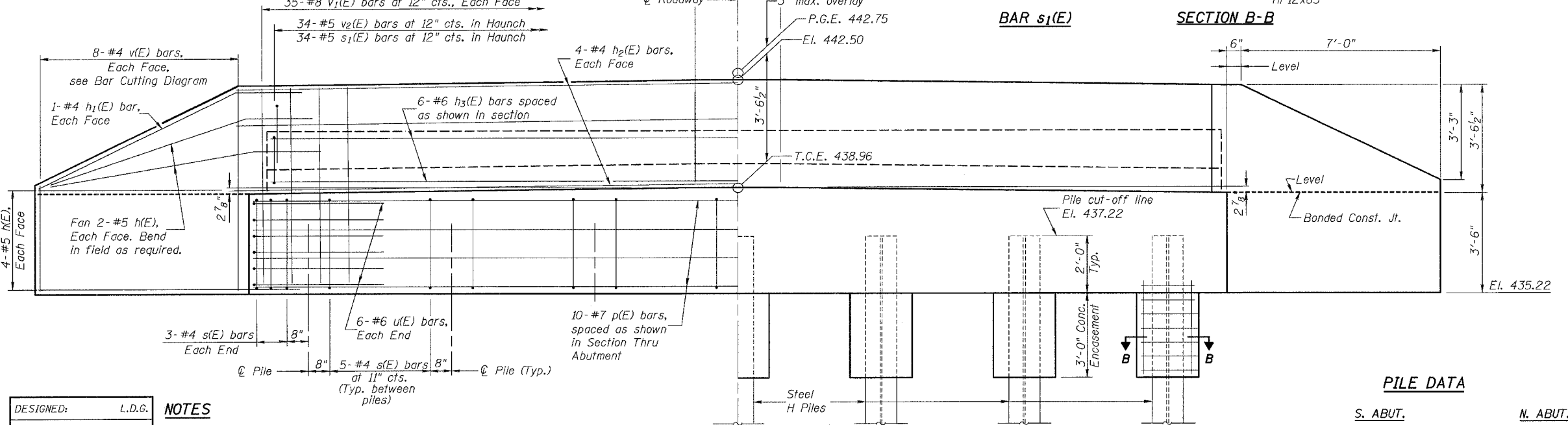
ROUTE NO.	SECTION	COUNTY	TOTAL SHEETS	SHEET NO.
FAS 788 (C.H. 24/C.H. 16)	03-00075-00-BR, WASH. 03-00082-00-BR, CLIN.	WASHINGTON CLINTON	22	16

16/ABUT523.DWG FEB. 21, 2006



BAR CUTTING DIAGRAM

Order v(E) bars full length. Cut as shown and use remainder of bars in opposite face. No field cutting allowed.



DESIGNED:	L.D.G.
CHECKED:	B.G.H.
DRAWN:	K.H.L.
CHECKED:	L.D.G.

NOTES

- The backwall and the portion of the wingwalls above the bonded construction joint shall be cast against the in-place beam.
- Space reinforcement in pile cap to miss dowel rods.
- All edges shall have standard 3/4" chamfer except as noted.

ELEVATION

PILE DATA

	S. ABUT.	N. ABUT.
Type	HP 12x63 W/Metal Shoe	HP 12x63 W/Metal Shoe
Capacity	Drive to Refusal	Drive to Refusal
Est. Length	52 ft.	42 ft.
No. Required	7 (Includes 1 Test Pile at location indicated)	7 (Includes 1 Test Pile at location indicated)

ONE ABUTMENT - BILL OF MATERIAL

BAR	NO.	SIZE	LENGTH	SHAPE
n(E)	24	#5	10'-0"	—
h1(E)	4	#4	9'-9"	—
h2(E)	8	#4	34'-4"	—
h3(E)	6	#6	33'-3"	—
p(E)	10	#7	34'-0"	—
s(E)	36	#4	11'-5"	□
s1(E)	34	#5	5'-10"	□
u(E)	12	#6	11'-1"	—
v(E)	16	#4	10'-3"	—
v1(E)	70	#8	6'-7"	—
v2(E)	34	#5	3'-3"	—
Concrete Structures			Cu. Yds.	18.8
Reinforcement Bars (Epoxy Coated)			Pound	3,500
Metal Shoes			Each	6
Furnishing Steel Piles HP12x63 South Abutment			Lin. Ft.	252
Driving Steel Piles - S. Abut.			Lin. Ft.	252
Test Pile Steel HP12x63-S. Abut.			Each	1
Furnishing Steel Piles HP12x63 North Abutment			Lin. Ft.	312
Driving Steel Piles - N. Abut.			Lin. Ft.	312
Test Pile Steel HP12x63-N. Abut.			Each	1

Reinforcement bars designated (E) shall be Epoxy Coated.

PILE BENT ABUTMENT
F.A.S. 788 (C.H. 24/C.H. 16)
OVER CROOKED CREEK
SECTION 03-00075-00-BR
WASHINGTON COUNTY
SECTION 03-00082-00-BR
CLINTON COUNTY