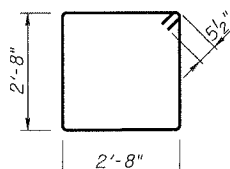
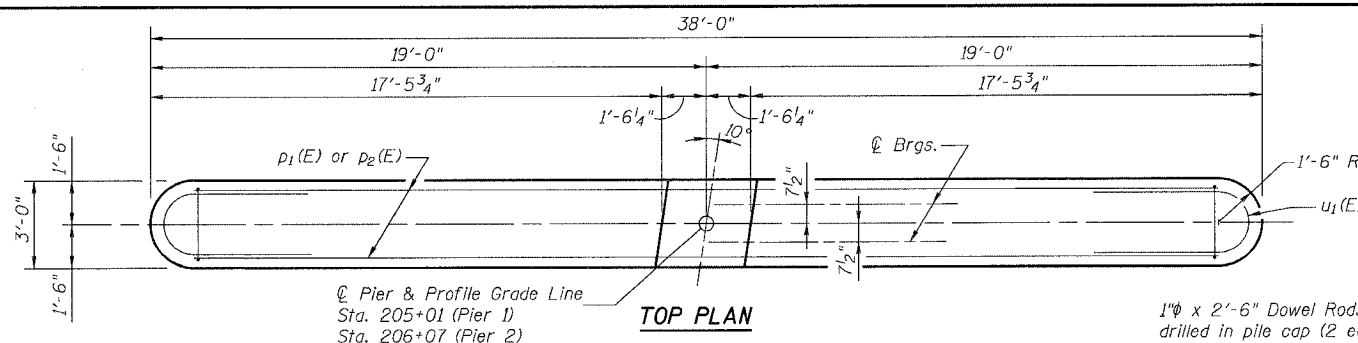


ROUTE NO.	SECTION	COUNTY	TOTAL SHEETS	SHEET NO.
FAS 788 (C.H. 24/C.H. 16)	03-00075-00-BR, WASH. 03-00082-00-BR, CLIN.	WASHINGTON CLINTON	22	17

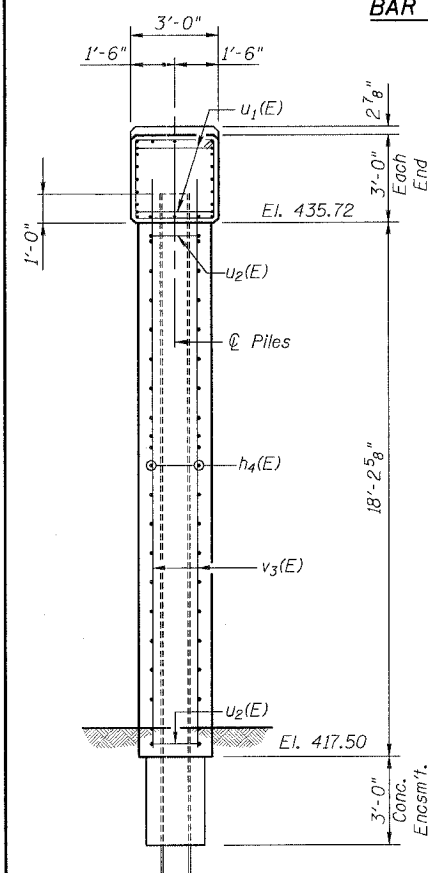
- Notes:
- All edges shall have standard $\frac{3}{4}$ " chamfers except as noted.
 - Space reinforcement in cap to miss dowel rods.



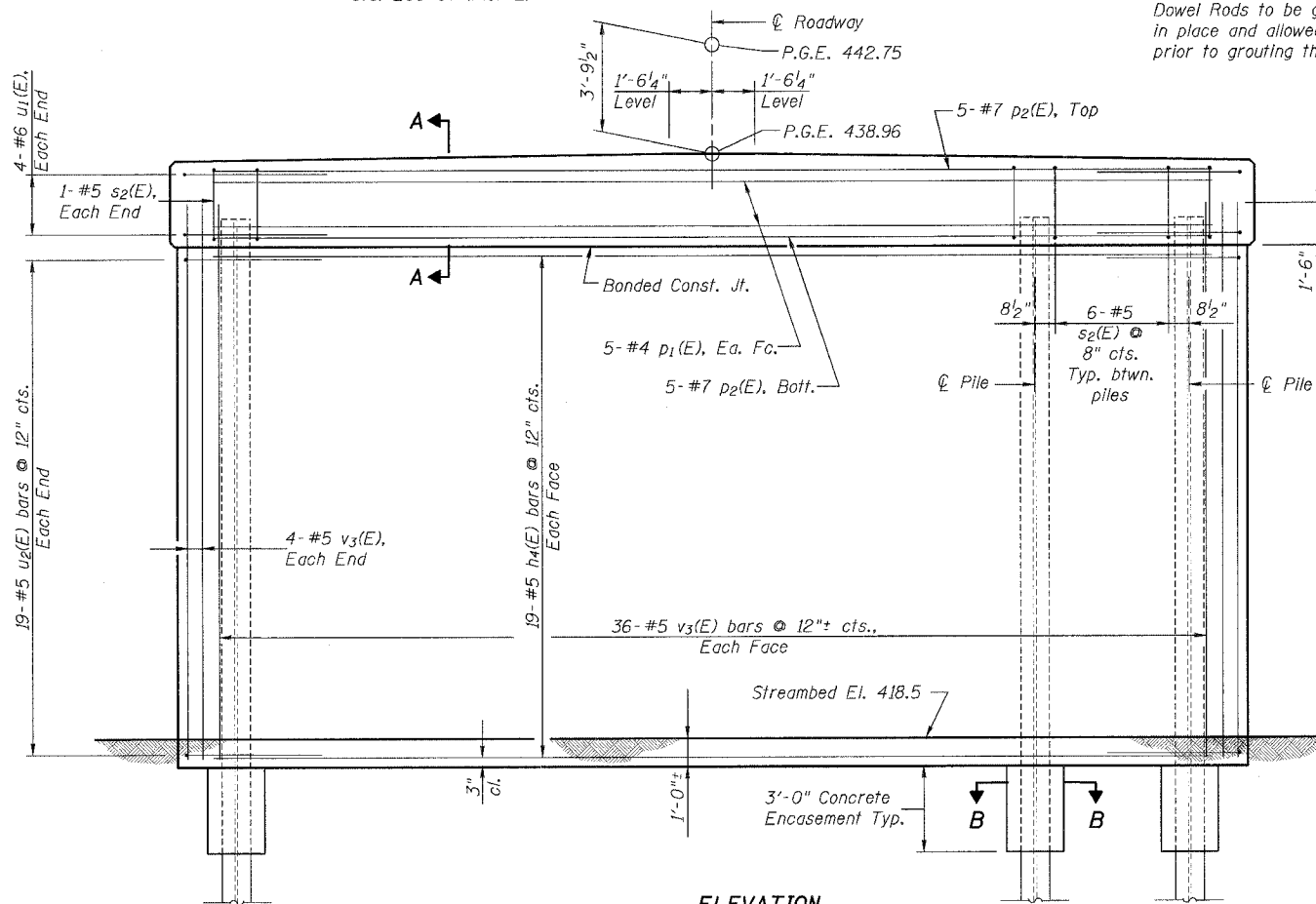
BAR $s_2(E)$



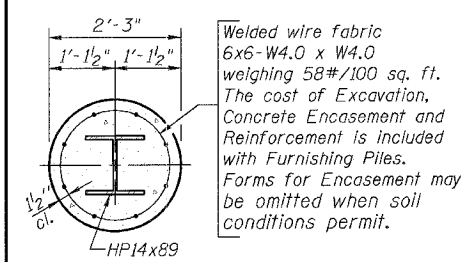
TOP PLAN



END VIEW

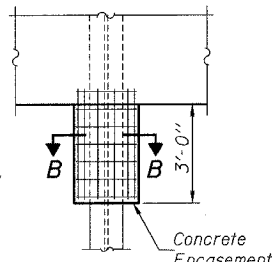


ELEVATION (LOOKING NORTH)



SECTION B-B

PILE ENCASEMENT DETAILS

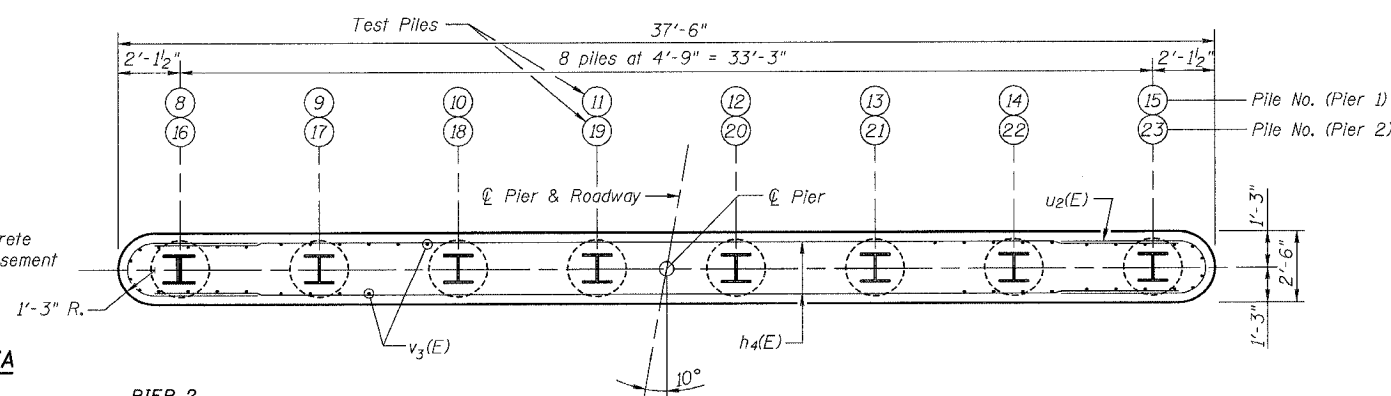


PILE DATA

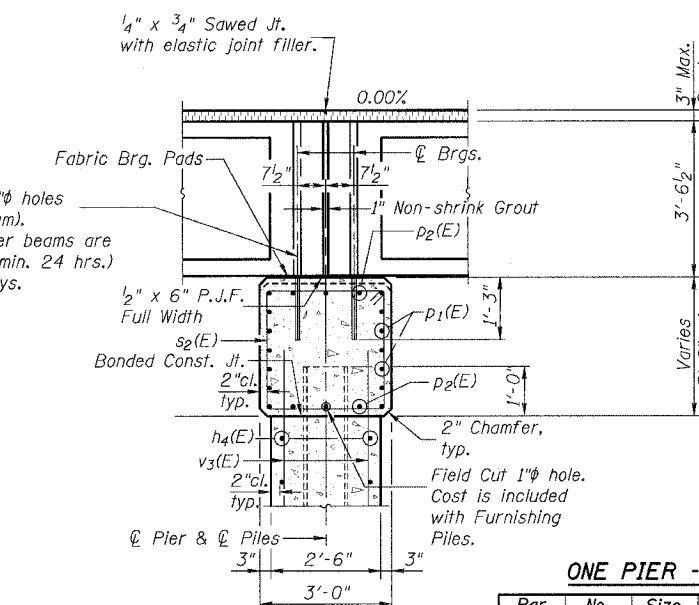
DESIGNED:	L.D.G.
CHECKED:	B.G.H.
DRAWN:	K.H.L.
CHECKED:	L.D.G.

Type	Capacity	Est. Length	No. Required
PIER 1	HP14x89 with Metal Shoes	Drive to Refusal	See Table
			8 (Includes 1 test pile at location indicated)

Type	Capacity	Est. Length	No. Required
PIER 2	HP14x89 with Metal Shoes	Drive to Refusal	See Table
			8 (Includes 1 test pile at location indicated)



PILE PLAN



SECTION A-A (Dimensions shown are at Rt. L's unless otherwise noted)

ONE PIER - BAR LIST

Bar	No.	Size	Length	Shape
$h_4(E)$	38	#5	35'-0"	—
$p_1(E)$	10	#4	35'-0"	—
$p_2(E)$	10	#7	35'-0"	—
$s_2(E)$	44	#5	11'-7"	□
$u_1(E)$	8	#6	12'-5"	U
$u_2(E)$	38	#5	10'-5"	U
$v_3(E)$	80	#5	19'-6"	—

TABLE OF ESTIMATED PILE LENGTHS

Pier 1		Pier 2	
Pile No.	Length	Pile No.	Length
8 - 11	54'	16 - 19	40'
12 - 15	48'	20 - 23	44'

PIER 1 - BILL OF MATERIAL

Item	Units	Quantity
Reinforcement Bars (Epoxy Coated)	Lbs.	5,060
Concrete Structures	Cu. Yds.	75.3
Structure Excavation	Cu. Yds.	108
Steel Piles HP14x89	Foot	354
Metal Shoes	Each	7
Test Pile Steel HP14x89	Each	1
Underwater Structure Excavation Protection - Location 1	Each	1

PIER 2 - BILL OF MATERIAL

Item	Units	Quantity
Reinforcement Bars (Epoxy Coated)	Lbs.	5,060
Concrete Structures	Cu. Yds.	75.3
Structure Excavation	Cu. Yds.	108
Steel Piles HP14x89	Foot	296
Metal Shoes	Each	7
Test Pile Steel HP14x89	Each	1
Underwater Structure Excavation Protection - Location 2	Each	1

Reinforcement Bars designated (E) shall be Epoxy Coated.

PIER DETAILS

F.A.S. 788 (C.H. 24/C.H. 16)
OVER CROOKED CREEK
SECTION 03-00075-00-BR
WASHINGTON COUNTY
SECTION 03-00082-00-BR
CLINTON COUNTY