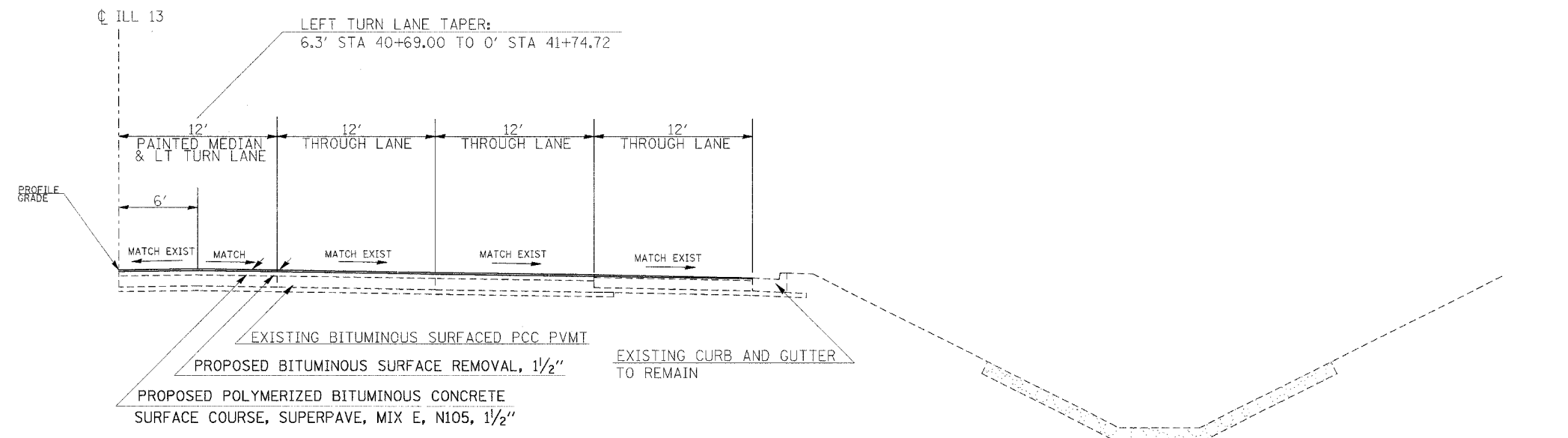
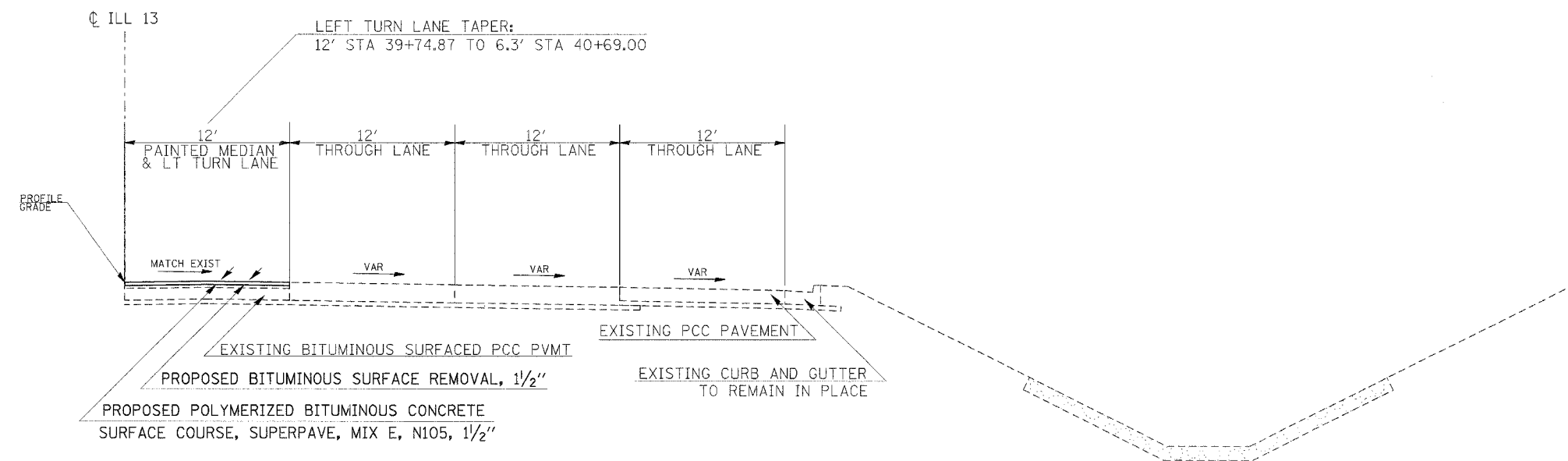


F.A.P. RTE	SECTION	COUNTY	TOTAL SHEETS	SHEET NO
331	*	JACKSON	258	14
STA.		TO STA.		
FED. ROAD DIST. NO.	ILLINOIS	FED. AID PROJECT		
* (12-1)2N,I-5,TS-3,B-1				



TO BE USED  
WESTBOUND ILLINOIS 13  
STA 40+69.00 TO 45+50.00 RT



TO BE USED  
WESTBOUND ILLINOIS 13  
STA 39+74.87 TO 40+69.00 RT