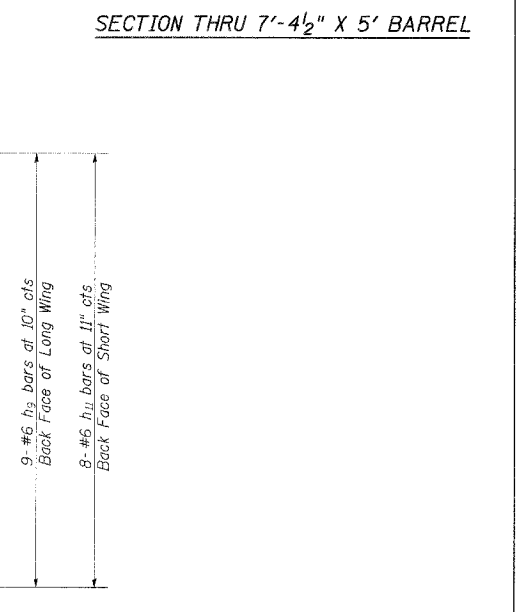
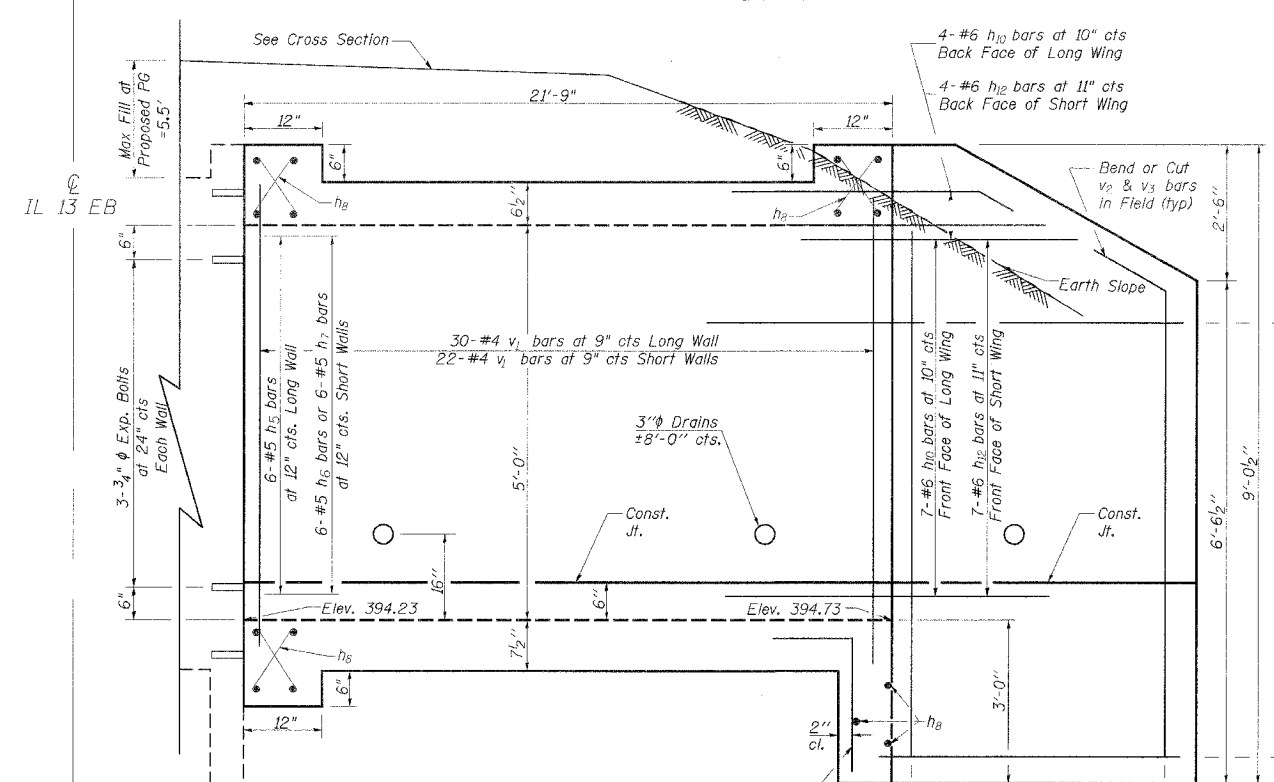
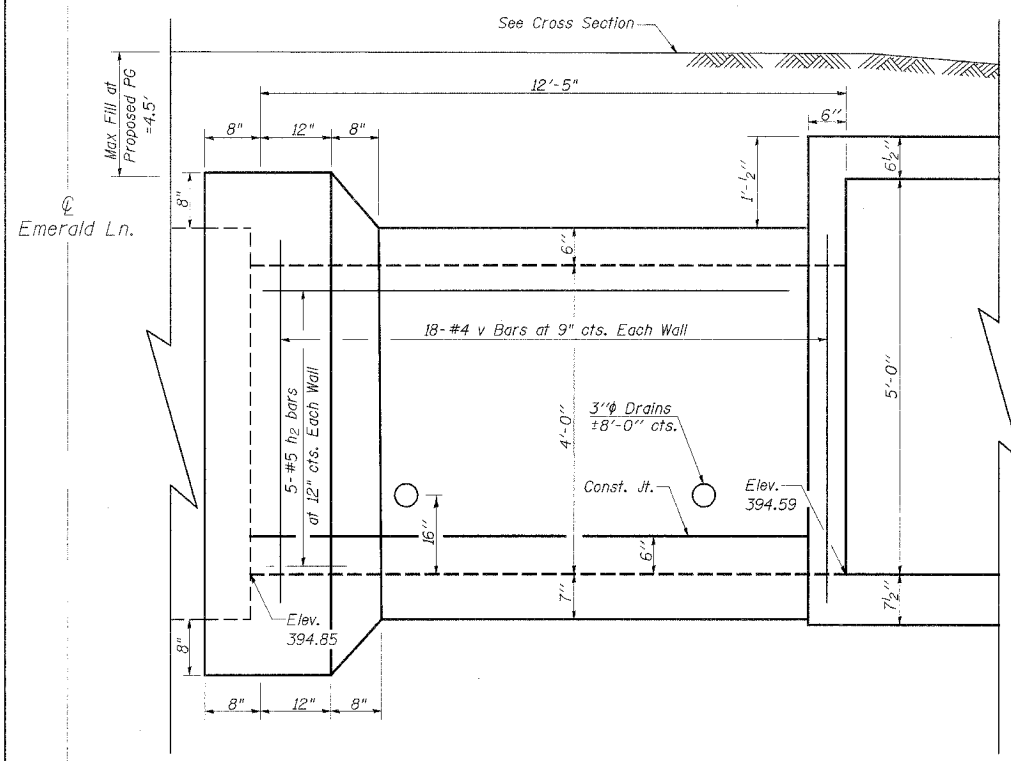
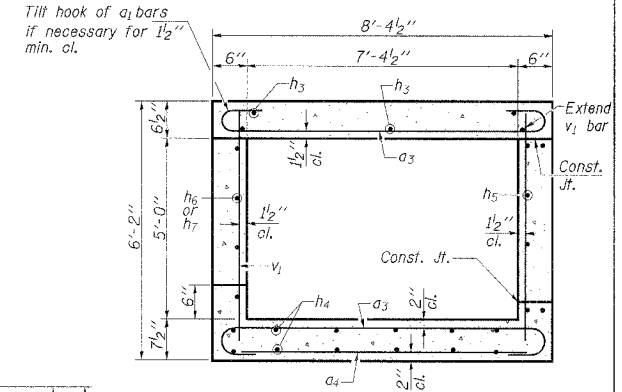
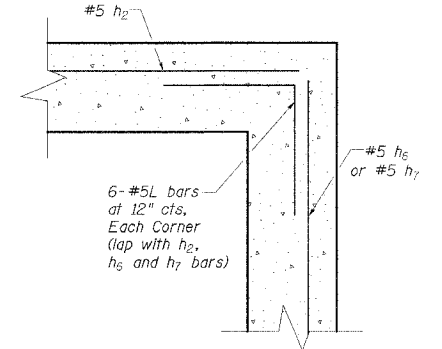
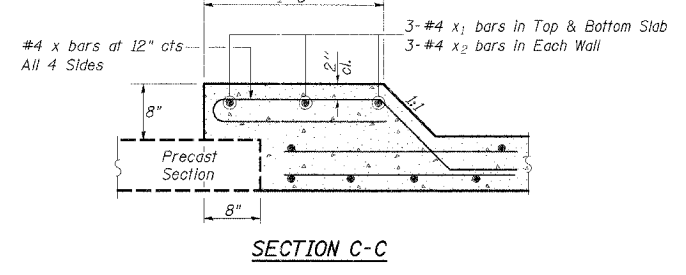
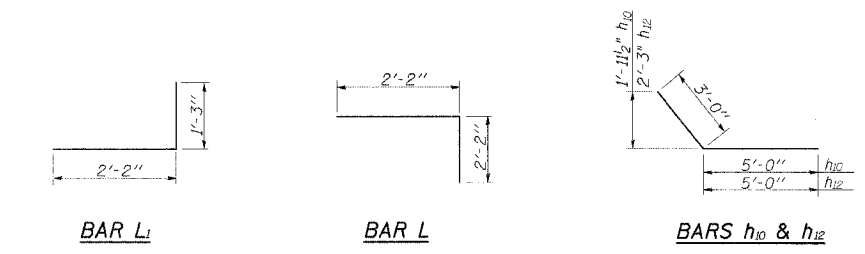
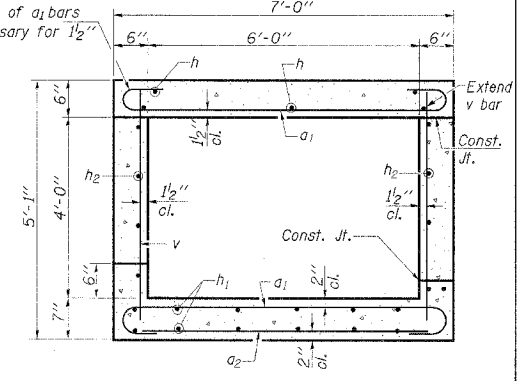
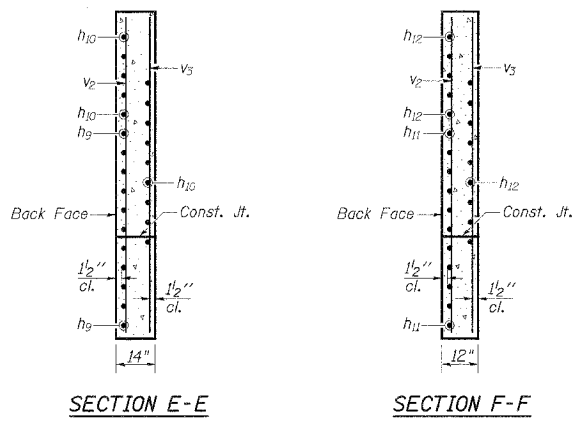
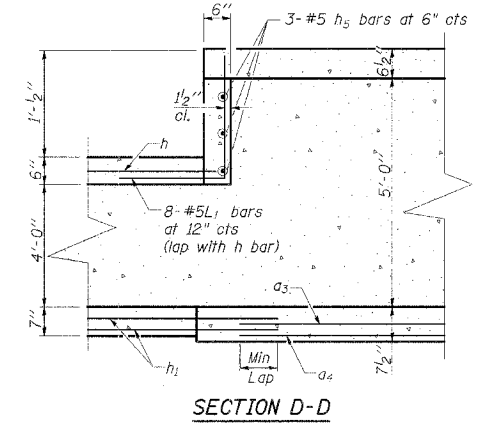
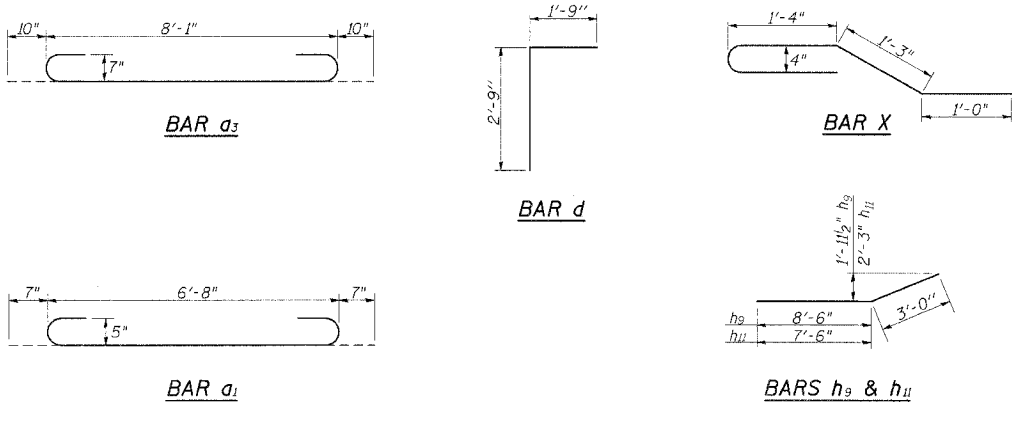


F.A.P. RTE.	SECTION	COUNTY	TOTAL SHEETS	SHEET NO.	SHEET NO. 3
331	*	JACKSON	258	83	4 SHEETS
STA.	TO STA.		FED. AID PROJECT		
	ILLINOIS				



ELEVATION VIEW A-A OF 6' X 4' BARREL

ELEVATION VIEW B-B OF 7'-4 1/2' X 5' BARREL

**CAST-IN-PLACE JUNCTION BOX CULVERT
AT SOUTHWEST QUADRANT OF
IL 13 AND EMERALD LANE
STA 53+62.29 (EB)**

* Bend or Cut in Field to Fit

2/16/2006
C:\pro\projects\98827\98827.dgn
58.00000 / 11
road\dwg\ind