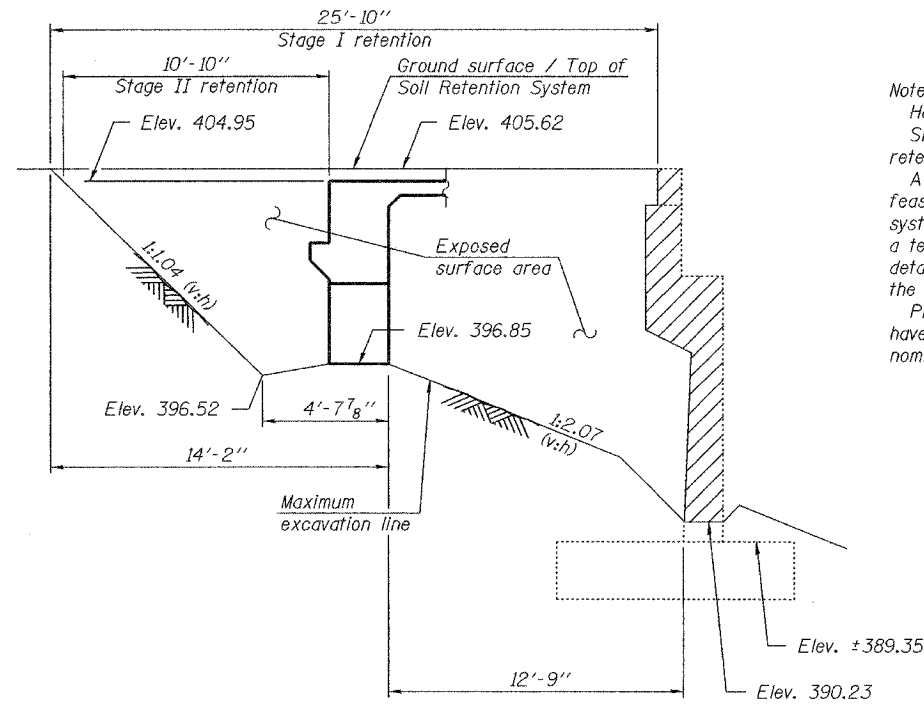


STATE OF ILLINOIS  
DEPARTMENT OF TRANSPORTATION

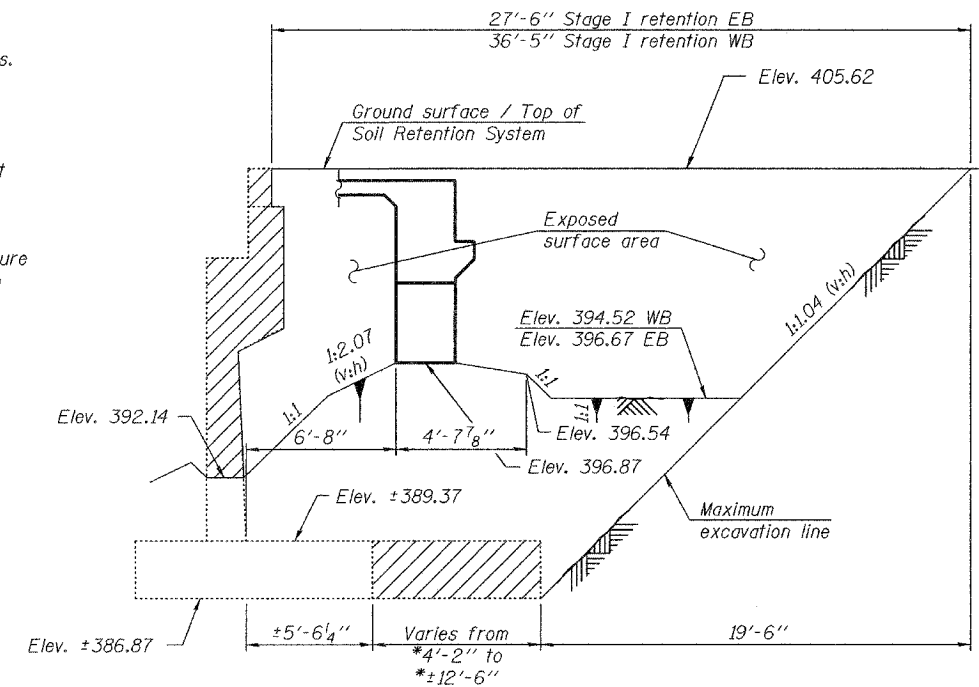
ROUTE NO.	SECTION	COUNTY	SHEET NO.	SHEET NO.
F.A.P. 331	(12-1) B-1	JACKSON	229	32 SHEETS
FED. ROAD DIST. NO. 7	ILLINOIS	FED. AID PROJECT-		

Contract #98827



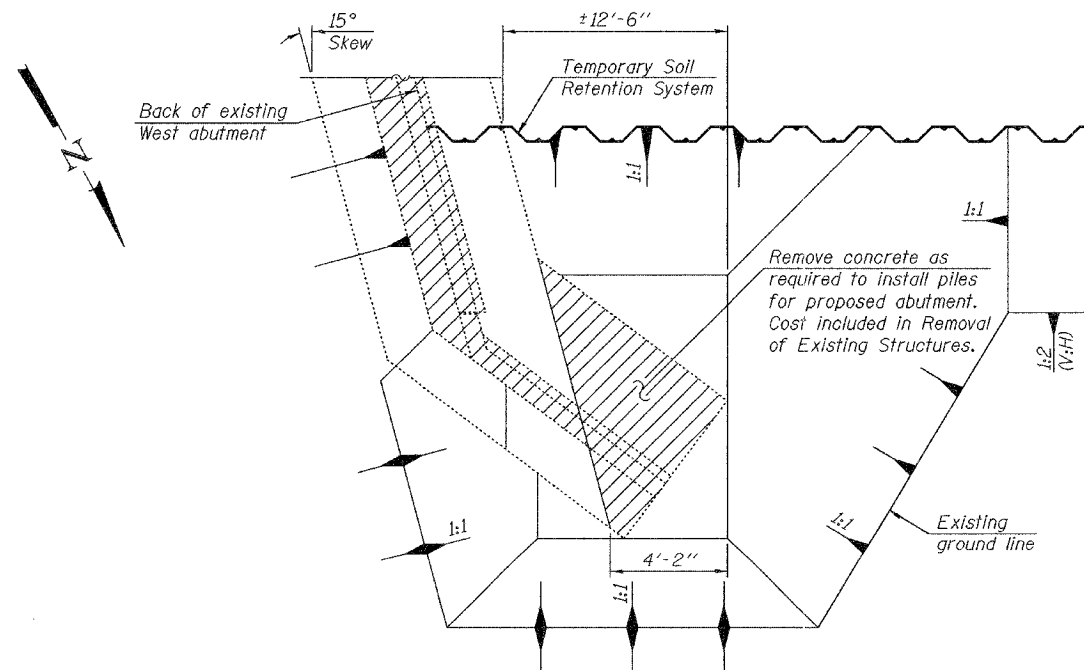
**ELEVATION**  
**EAST ABUTMENT TEMPORARY**  
**SOIL RETENTION SYSTEM**  
(Showing stage I and stage II retention - 2 locations)

Notes:  
Hatched area indicates Removal of Existing Structures. Slopes and distances are shown along alignment of retention system.  
A cantilevered sheet piling design does not appear feasible and additional members or other retention systems may be necessary. The Contractor shall submit a temporary soil retention system design including plan details and calculations for review and acceptance by the Engineer.  
Plan dimensions and details relative to existing structure have been taken from existing plans and are subject to nominal construction variations.

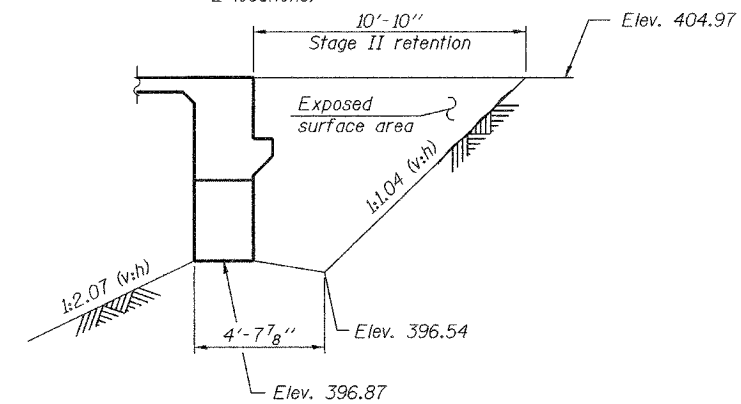


**ELEVATION**  
**WEST ABUTMENT TEMPORARY**  
**SOIL RETENTION SYSTEM**  
(Showing stage I retention - 2 locations)

\* Measured along Temporary Soil Retention System. Existing footing is not below proposed abutment at Temporary Soil Retention System. See plan view.



**WEST ABUTMENT STAGE I RETENTION PLAN**  
(Westbound shown, Eastbound similar)



**WEST ABUTMENT TEMPORARY**  
**SOIL RETENTION SYSTEM**  
(Showing stage II retention - 2 locations)

DESIGNED	Curt M. Evoy
CHECKED	Rebecca L. Mitchell
DRAWN	Michael B. Mossman
CHECKED	C.M.E. / R.L.M.

EXAMINED	March 1, 2006	Thomas J. Damagala
PASSED		Ralph E. Anderson

**STAGE CONSTRUCTION DETAILS**  
**F.A.P. ROUTE 331 - SEC. (12-1)B-1**  
**JACKSON COUNTY**  
**STATION 57+91.70**  
**STRUCTURE NO. 039-0071**