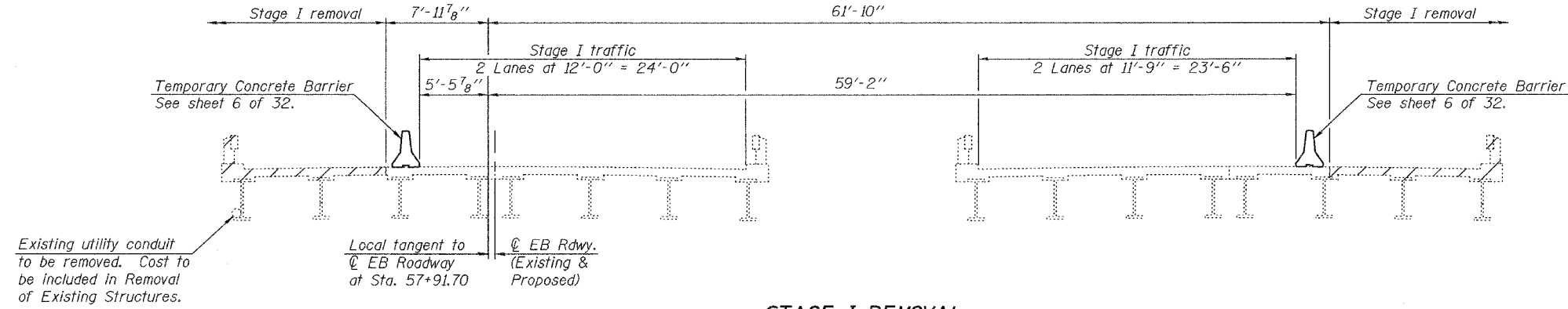


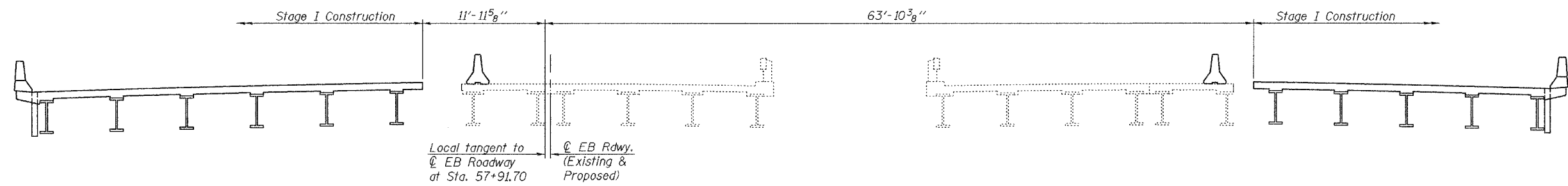
STATE OF ILLINOIS
DEPARTMENT OF TRANSPORTATION

ROUTE NO. F.A.P. 331	SECTION (12-1) B-1	COUNTY JACKSON	TOTAL SHEETS 230	SHEET NO. 230	SHEET NO. 5 32 SHEETS
FED. ROAD DIST. NO. 7		ILLINOIS FED. AID PROJECT-			

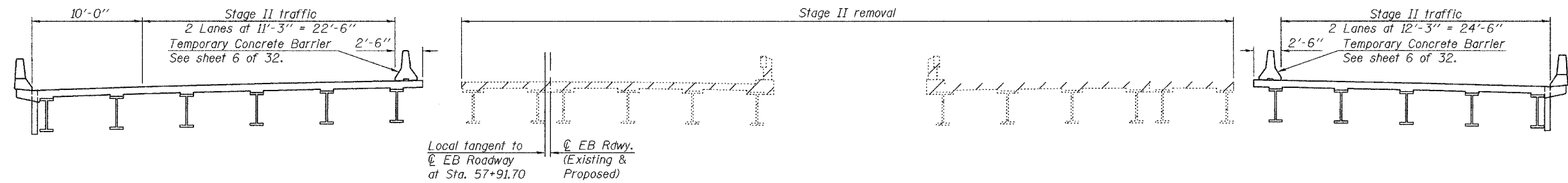
Contract #98827



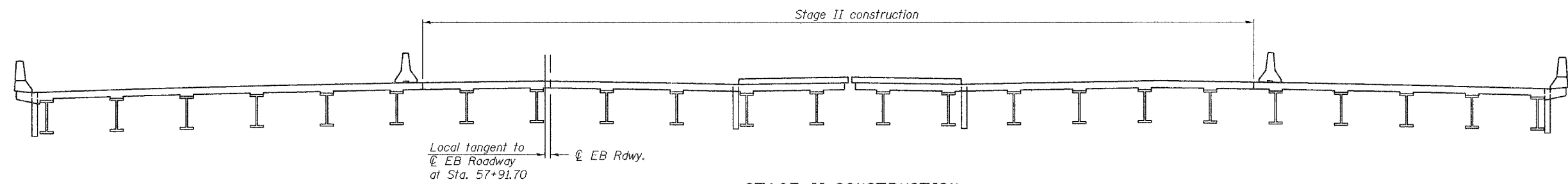
STAGE I REMOVAL



STAGE I CONSTRUCTION



STAGE II REMOVAL



STAGE II CONSTRUCTION

DESIGNED Curt M. Evoy
CHECKED Rebecca L. Mitchell
DRAWN Michael B. Mossman
CHECKED C.M.E. / R.L.M.

March 1, 2006

EXAMINED *Thomas J. Danagalaki*
ENGINEER OF BRIDGE DESIGN

PASSED *Ralph E. Anderson*
ENGINEER OF BRIDGES AND STRUCTURES

Notes:
Hatched area indicates Removal of Existing Structures.
For quantity of Temporary Concrete Barrier, see roadway plans.
All cross sections are looking West.

STAGE CONSTRUCTION DETAILS
F.A.P. ROUTE 331 - SEC. (12-1)B-1
JACKSON COUNTY
STATION 57+91.70
STRUCTURE NO. 039-0071