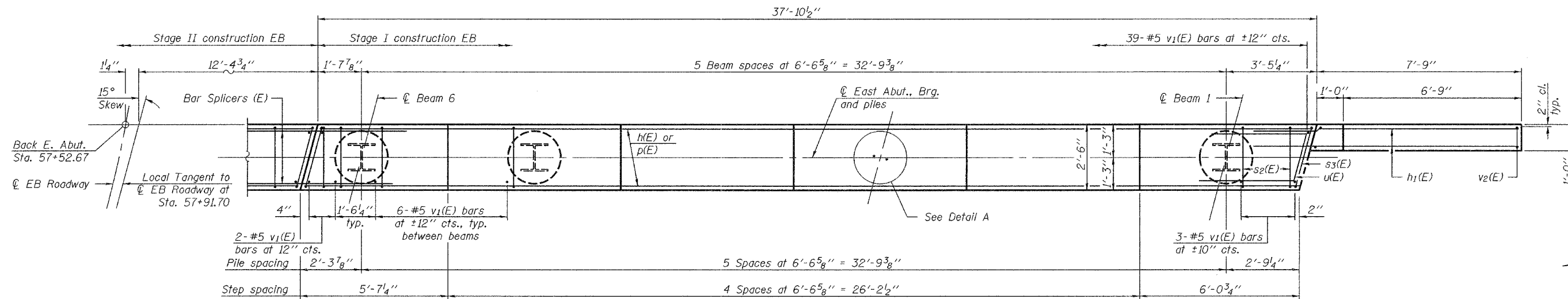
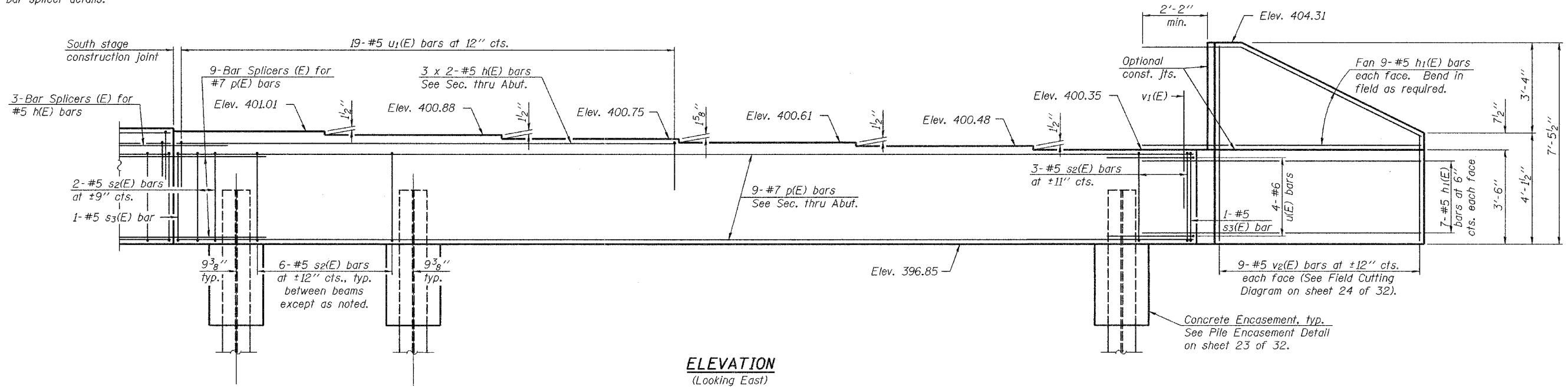


STATE OF ILLINOIS
DEPARTMENT OF TRANSPORTATION

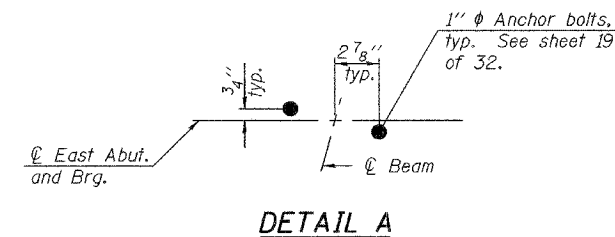
ROUTE NO. F.A.P. 331	SECTION (12-1) B-1	COUNTY JACKSON	TOTAL SHEETS 32	SHEET NO. 24	SHEET NO. 21 32 SHEETS
FED. ROAD DIST. NO. 7		ILLINOIS	FED. AID PROJECT-		

Contract #98827

Notes:
Pour steps monolithically with cap.
Reinforcement bars designated (E) shall be epoxy coated.
Bars indicated thus 9 x 2-#7 etc. indicates 9 lines of bars with 2 lengths per line.
Space reinforcement in cap to miss anchor bolts.
See sheet 24 of 32 for reinforcement details, pile data and Bill of Material.
See sheet 22 of 32 for Section thru Abut.
See sheet 29 of 32 for bar splicer details.



MINIMUM BAR LAP
#5 bar = 2'-3"



EAST ABUTMENT (STAGE I-EB)
F.A.P. ROUTE 331 - SEC. (12-1)B-1
JACKSON COUNTY
STATION 57+91.70
STRUCTURE NO. 039-0071

DESIGNED	Curt M. Evoy
CHECKED	Rebecca L. Mitchell
DRAWN	Michael B. Mossman
CHECKED	C.M.E. / R.L.M.

March 1, 2006
EXAMINED *Thomas J. Domagalick*
PASSED *Ralph E. Anderson*
ENGINEER OF BRIDGES AND STRUCTURES