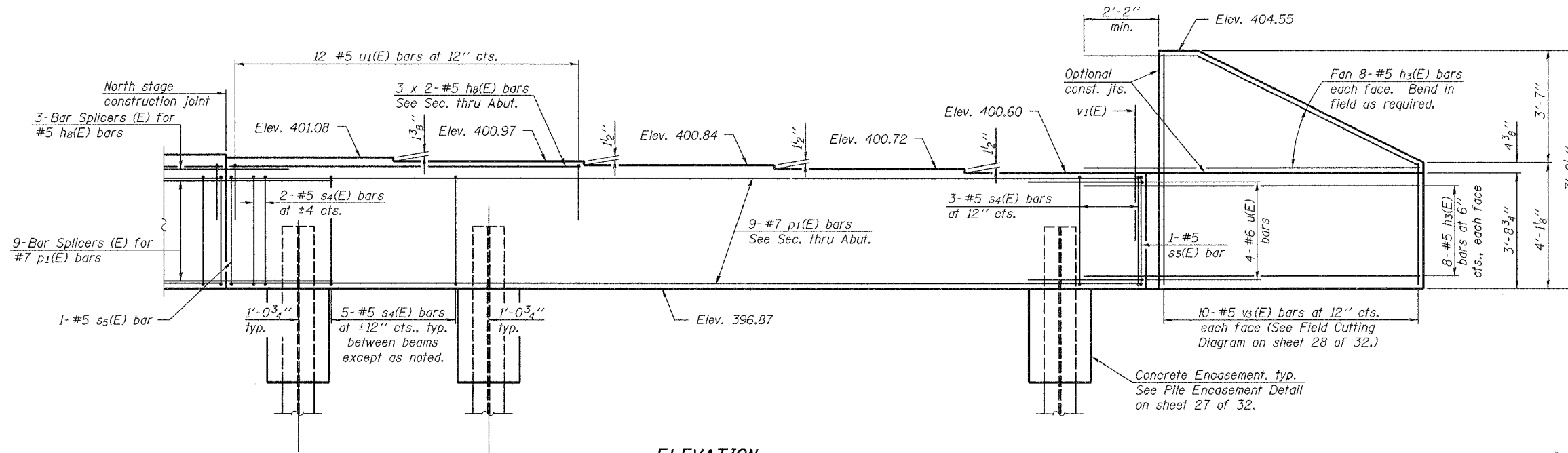


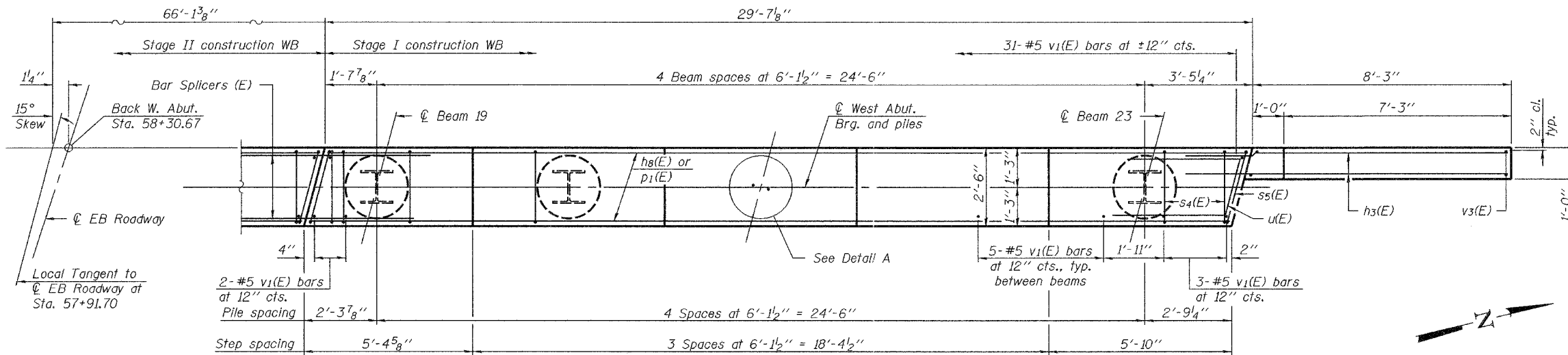
STATE OF ILLINOIS  
DEPARTMENT OF TRANSPORTATION

|                            |                          |                   |                    |                 |                           |
|----------------------------|--------------------------|-------------------|--------------------|-----------------|---------------------------|
| ROUTE NO.<br>F.A.P.<br>331 | SECTION<br>(12-1)<br>B-1 | COUNTY<br>JACKSON | TOTAL SHEETS<br>32 | SHEET NO.<br>25 | SHEET NO. 26<br>32 SHEETS |
| FED. ROAD DIST. NO. 7      |                          | BILLINGS          | FED. AID PROJECT   |                 |                           |

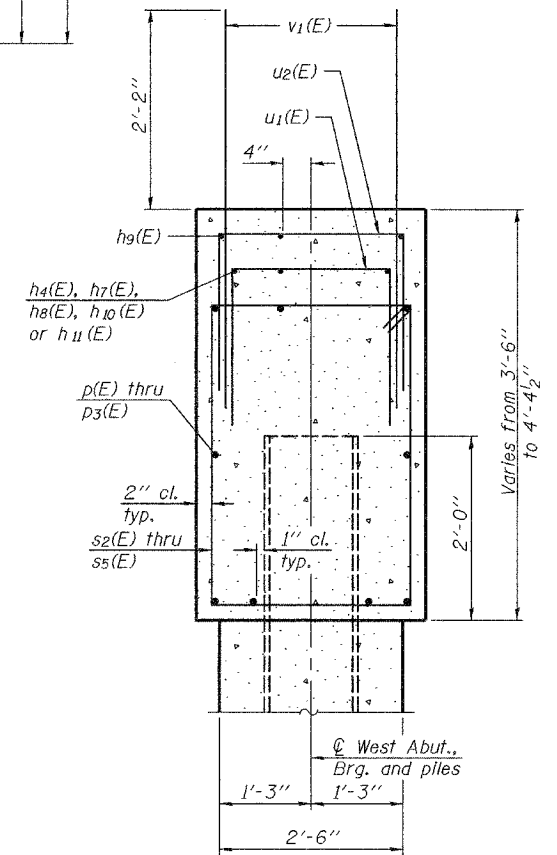
Contract #98827



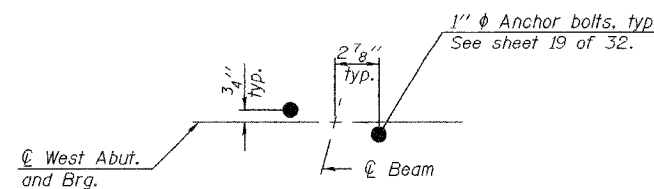
**ELEVATION**  
(Looking West)



**PLAN**



**SEC. THRU ABUT.**



**DETAIL "A"**

**MINIMUM BAR LAP**  
#5 bar = 2'-3"

|                             |                             |
|-----------------------------|-----------------------------|
| DESIGNED Curt M. Evoy       | EXAMINED Thomas J. Domagala |
| CHECKED Rebecca L. Mitchell | PASSED Ralph E. Anderson    |
| DRAWN Michael B. Mossman    |                             |
| CHECKED C.M.E. / R.L.M.     |                             |

March 1, 2006  
ENGINEER OF BRIDGE DESIGN  
ENGINEER OF BRIDGES AND STRUCTURES

**WEST ABUTMENT (STAGE I-WB)**  
F.A.P. ROUTE 331 - SEC. (12-1)B-1  
JACKSON COUNTY  
STATION 57+91.70  
STRUCTURE NO. 039-0071