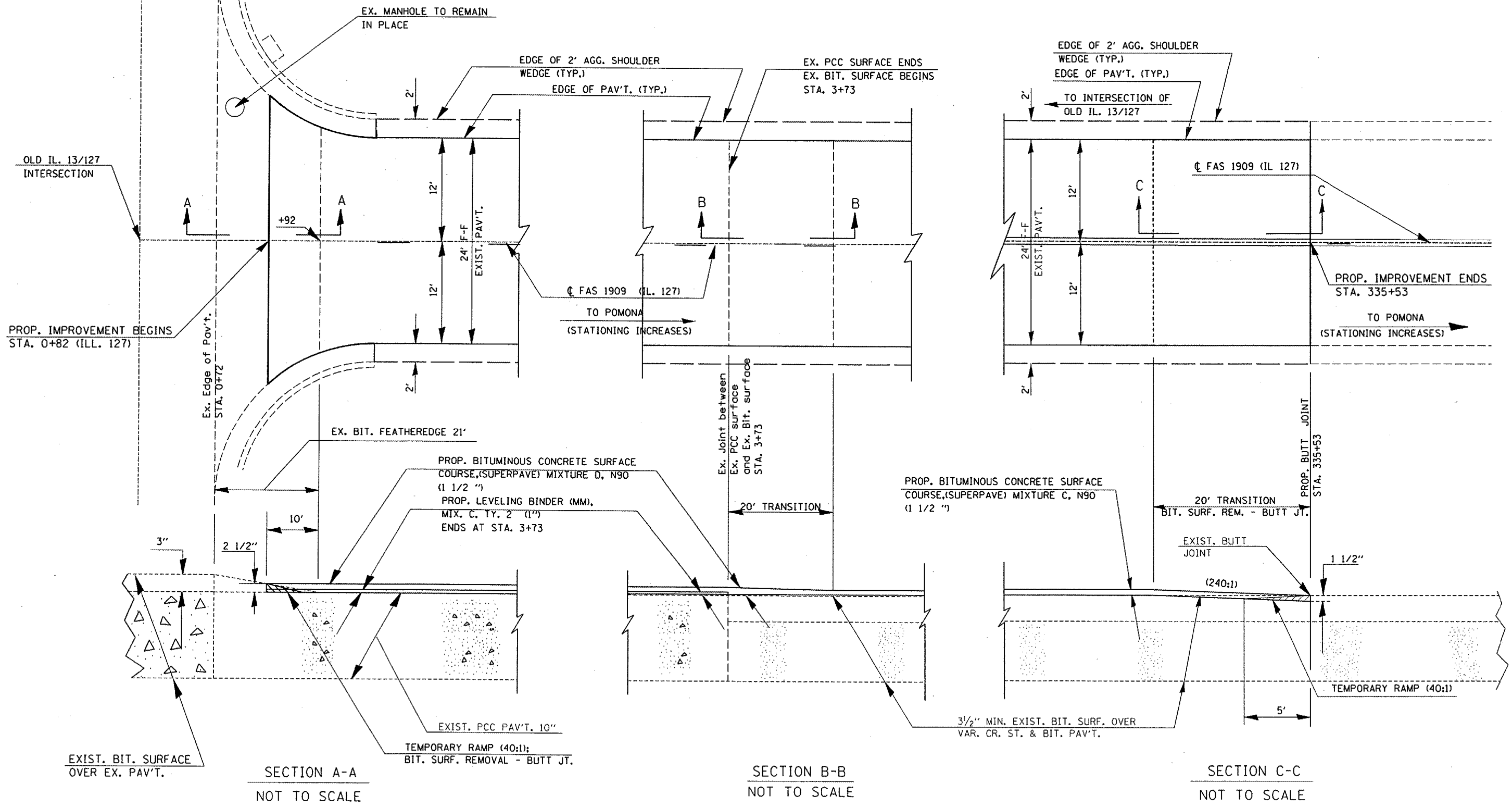


F.A.S. RTE.	SECTION	COUNTY	TOTAL SHEETS	SHEET NO.
1909	*	JACKSON	13	11
STA.		TO STA.		
FED. AID DIST. NO.		ILLINOIS	FED. AID PROJECT	
*D9 SMART FY 05-1				C.N. 98844

**BUTT JOINT DETAIL**  
STA. 0+82 (BEGINNING OF PROJECT)

**TRANSITION DETAIL**  
STA. 3+73 TO STA. 3+93

**BUTT JOINT DETAIL**  
STA. 335+53 (END OF PROJECT)



**BUTT JOINT DETAILS - STA. 0+82 AND STA. 335+53;  
TRANSITION DETAIL - STA. 3+73 TO STA. 3+93**