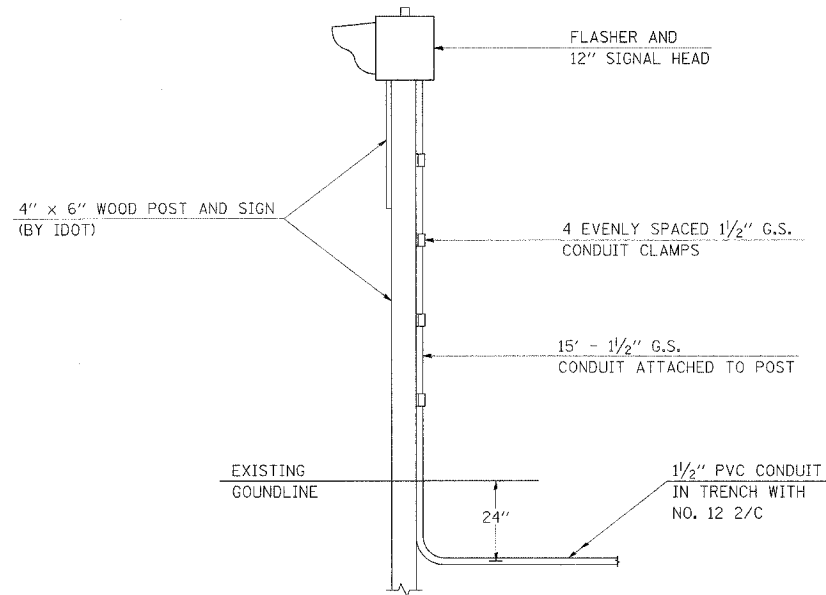


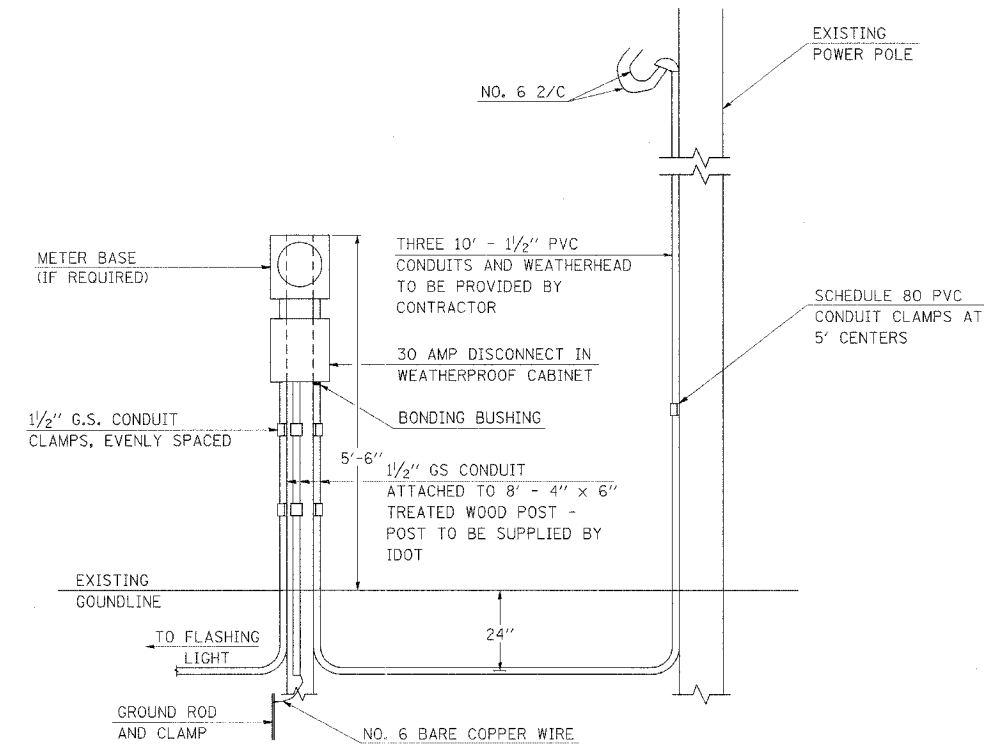
F.A. RTE.	SECTION	COUNTY	TOTAL SHEETS	SHEET NO.
•	••	FRANKLIN	7	7
STA.		TO STA.		
FED. ROAD DIST. NO.		ILLINOIS FED. AID PROJECT		

- FAI 57, FAP 869, FAP 873, FAU 9493
- D-9 TRAFFIC SIGNAL FY 06-1

SIDE VIEW SIGN



SERVICE INSTALLATION, TYPE A (SPECIAL)



DETAIL OF DETECTOR LOOPS

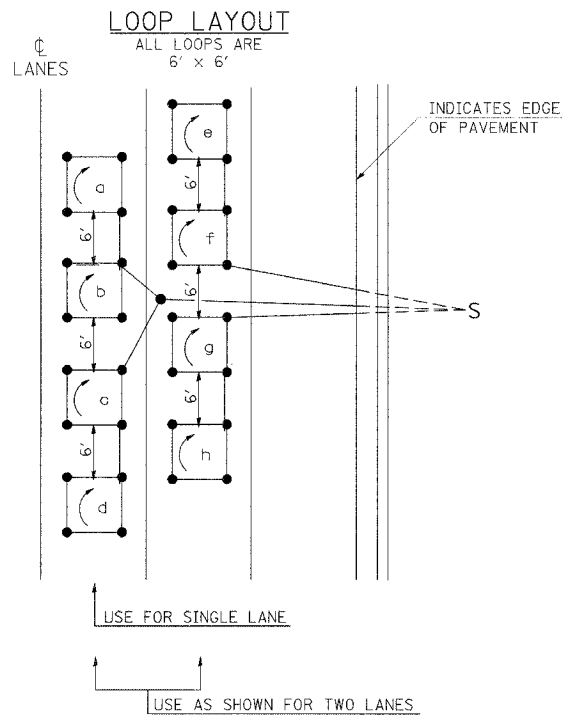
NOTES

(APPLIES TO 6' x 6' LOOPS ONLY)

1. THE DETECTOR LOOPS SHALL BE TYPE I. EACH DETECTOR LOOP SHALL HAVE 3 TURNS OF LOOP WIRE AND BE INSTALLED IN ACCORDANCE WITH THE APPLICABLE PORTIONS OF SECTION 886 OF THE STANDARD SPECIFICATIONS FOR TRAFFIC CONTROL ITEMS.
2. BEGINNING LEAD WIRES SHALL BE CONNECTED TO THE BLACK LEAD AND THE ENDING LEAD WIRES SHALL BE CONNECTED TO THE WHITE LEAD OF THE TWIN TWISTED FEED CABLES AT THE SPLICE POINT.
3. WHERE THE LOOPS ARE INSTALLED PRIOR TO RESURFACING, THE LOOP CORNERS SHALL BE DIAGONALLY CUT.

LOOP LEGEND

- ⤵ CLOCKWISE ROTATION FOR LOOP WIRES
- S INDICATES SPLICE POINT FOR DETECTOR LOOP LEAD
- INDICATES 2\"/>



DETAIL 6' x 6' DETECTOR LOOPS

STD. 9-92

REVISIONS	
REDRAWN	5-13-02
REVISED	10-27-05
REVISED	
REVISED	

PLOT DATE = 2/10/2006
 FILE NAME = c:\p\projects\982006\1149 & orient\road\1149or-tp1.e32
 PLOT SCALE = 50.0000 / IN.
 USER NAME = p.pond