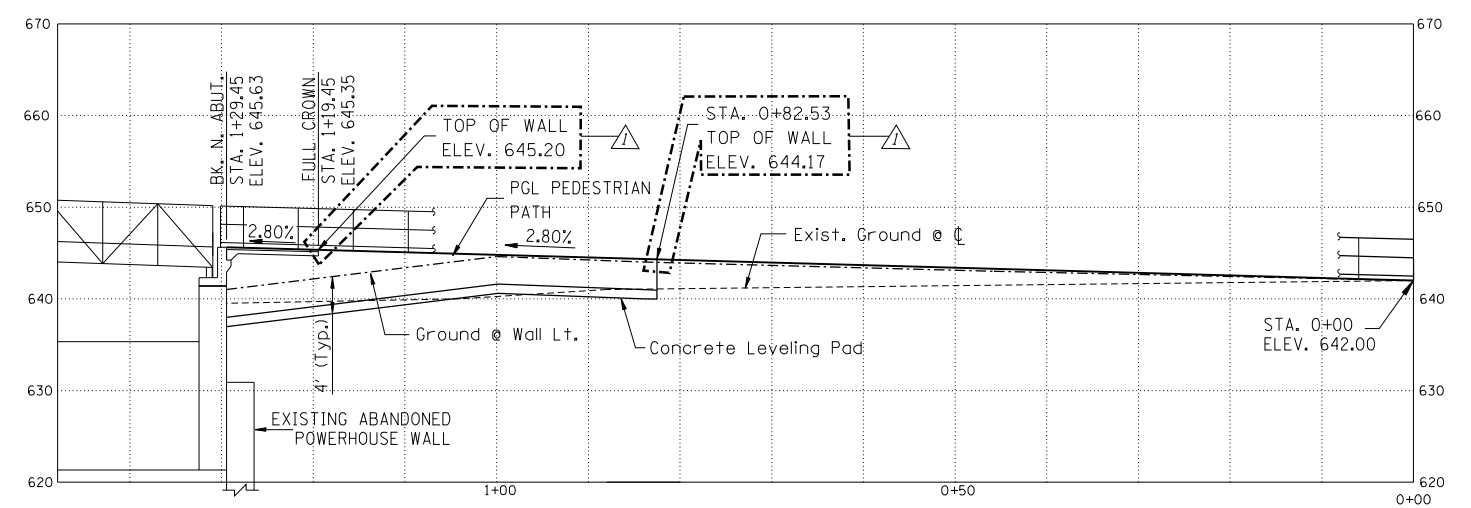
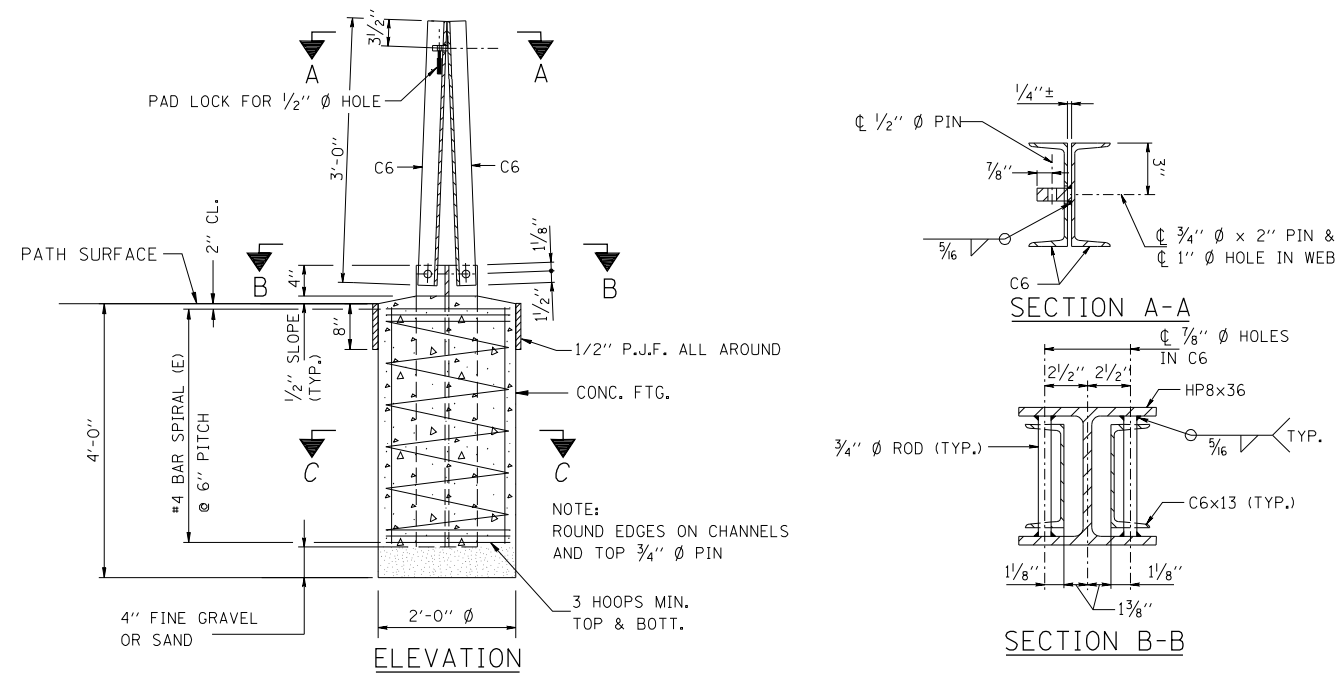


SECTION C-C
(2'-0" Ø CAISSON)

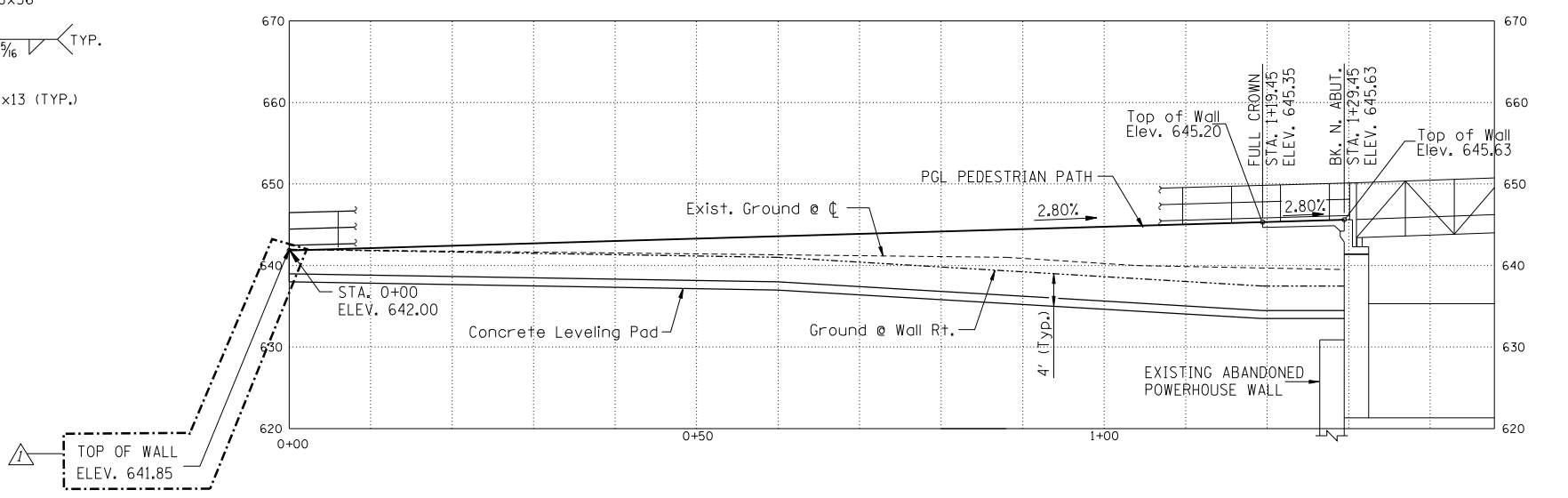


MODULAR SEGMENTAL BLOCK RETAINING WALL
LEFT WALL ELEVATION



COLLAPSIBLE VEHICLE STOP DETAILS

- COLLAPSIBLE VEHICLE STOP NOTES:
1. ALL STRUCTURAL STEEL SHAPES AND PLATES SHALL CONFORM TO THE REQUIREMENTS OF AASHTO M 270 GRADE 36 OR GRADE 50 AND SHALL BE GALVANIZED ACCORDING TO AASHTO M11 AND ASTM A385. ALL BOLTS, NUTS, WASHERS, AND ANCHOR RODS SHALL BE GALVANIZED ACCORDING TO AASHTO M232.
 2. REINFORCEMENT BARS DESIGNATED (E) SHALL BE EPOXY COATED.
 3. EXCAVATION, REINFORCEMENT BARS, CONCRETE, P.J.F., STRUCTURAL STEEL, BOLTS, NUTS, WASHERS, AND ANCHOR RODS INCLUDED IN COST OF "COLLAPSIBLE VEHICLE STOP".



MODULAR SEGMENTAL BLOCK RETAINING WALL
RIGHT WALL ELEVATION

Designed By TMM Checked By RLP
Drawn By JUF Checked By TMM
ABT00TH3.DGN

Revised 4/17/2006, TMM