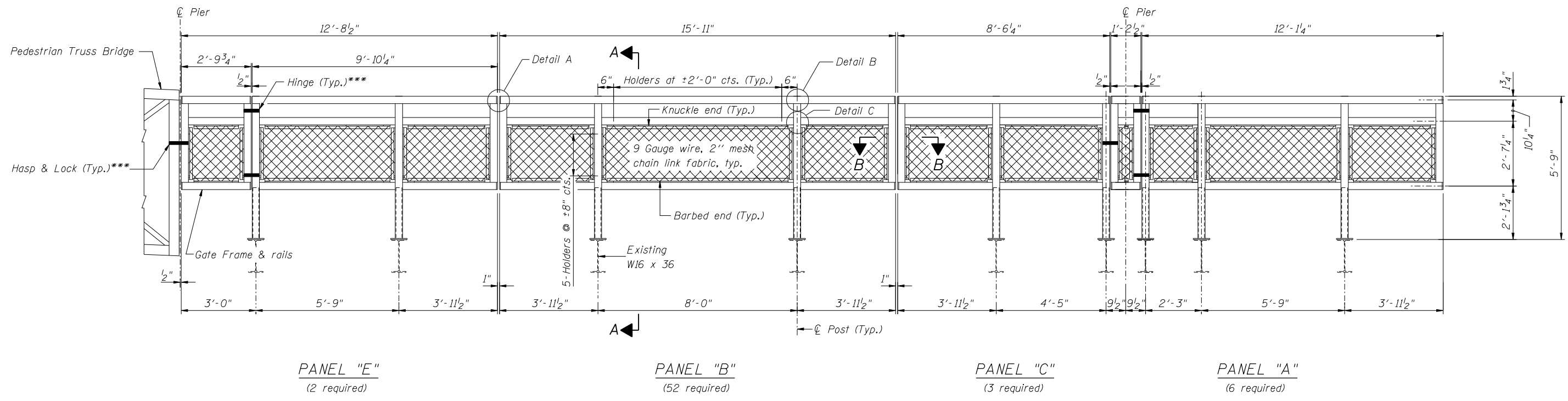


\* Location of existing light poles  
\*\* Location of new light poles, see sheet 19B for mounting details.

ACCESS BRIDGE RAILING PLAN



PANEL "E"  
(2 required)

PANEL "B"  
(52 required)

PANEL "C"  
(3 required)

PANEL "A"  
(6 required)

RAILING ELEVATION  
(Inside Face - Upstream Side  
Mirror Downstream Side)

\*\*\*Number and type of hinges, type of hasp & lock as per manufacturer's recommendations.

Note:  
Contractor shall verify location of all existing posts prior to ordering bridge railing panels. Adjustments shall be approved by the Engineer.

Note: Sections A-A and B-B shown on sheet 13

Entire Sheet Revised 4/17/2006, TMM

DESIGNED BY TMM CHECKED BY RLP  
DRAWN BY JUF CHECKED BY TMM