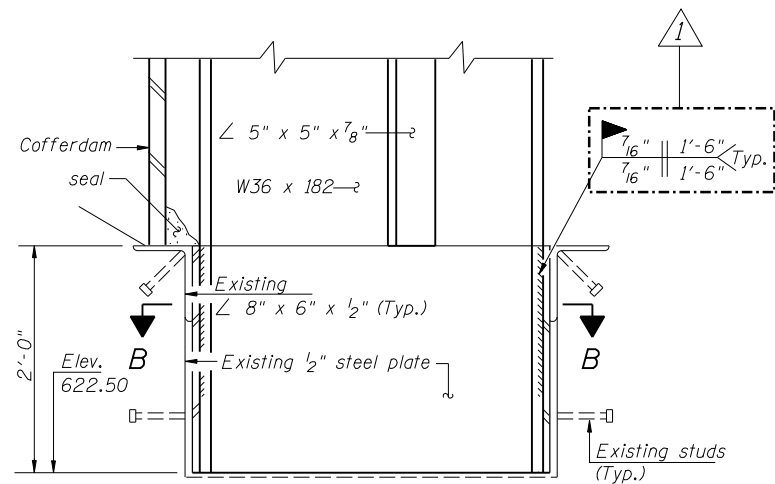
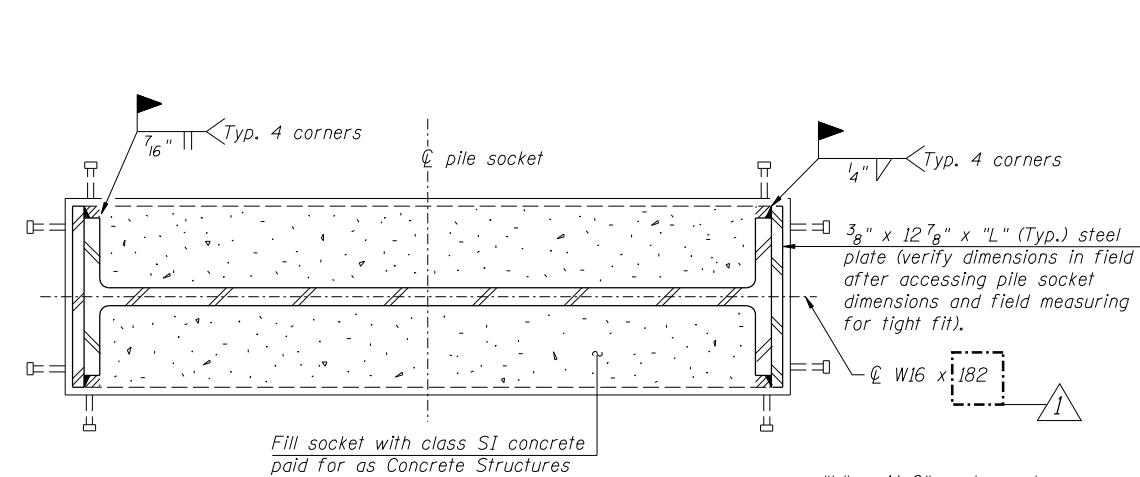


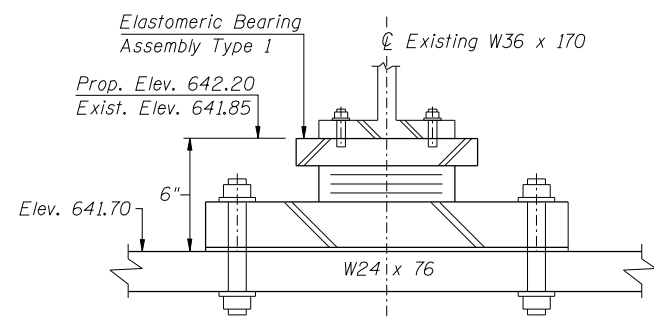
DETAIL "C"



DETAIL "D"



SECTION B-B



DETAIL "B"

BILL OF MATERIAL

Item	Unit	Quantity
Concrete Structures	Cu Yd	2.6
Furnishing and Erecting Structural Steel	L Sum	1
Cofferdams	Each	8

1 Revised 4/17/2006. TMM

Designed By TMM Checked By RLP
Drawn By RMM Checked By TMM

SFILES
STIMES
SDATES