

ISSUED	REVISION LETTER	REVISED BY	DATE

7:59:56 AM

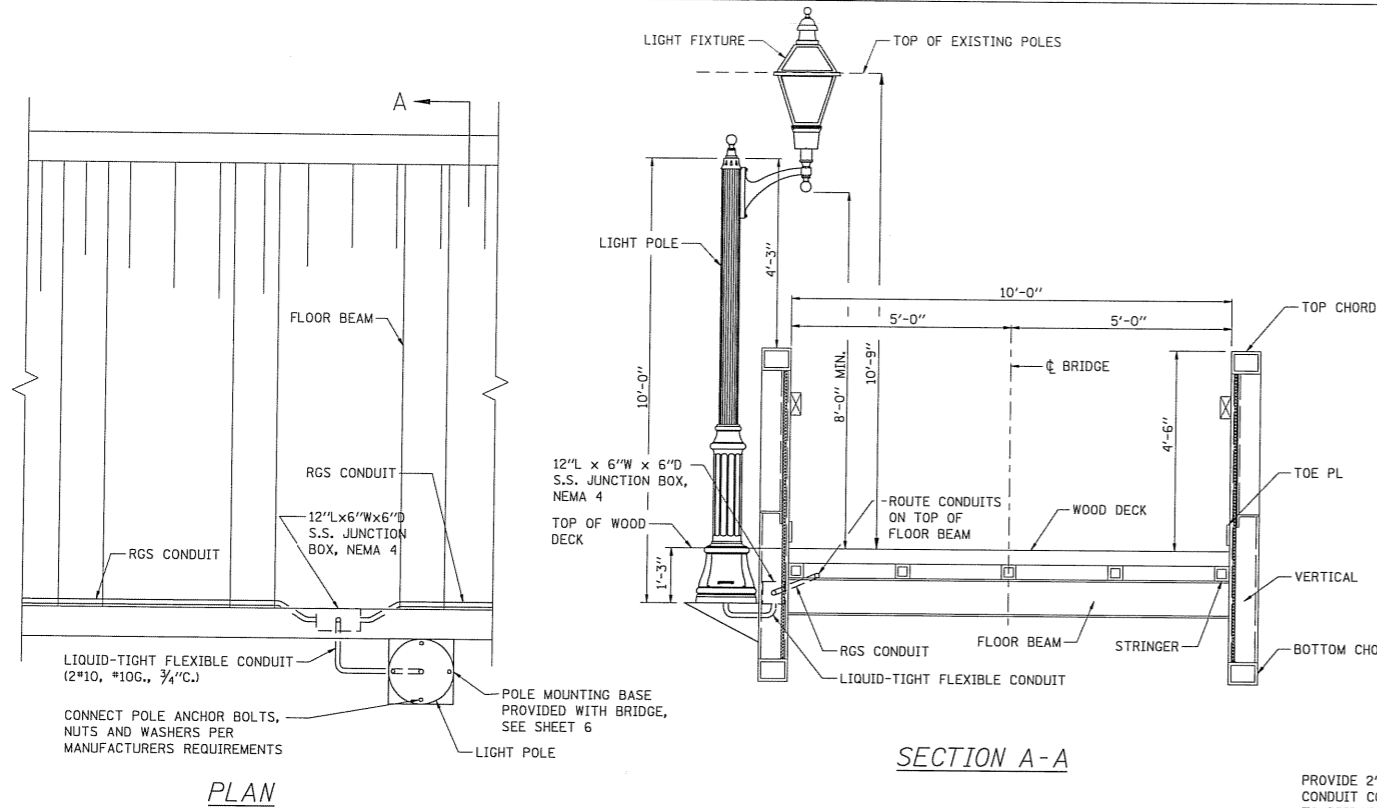
04/17/2006, 07:59 AM

I:\06JOBS\06S1718\Elec\Sheet\Lighting Details2.dgn

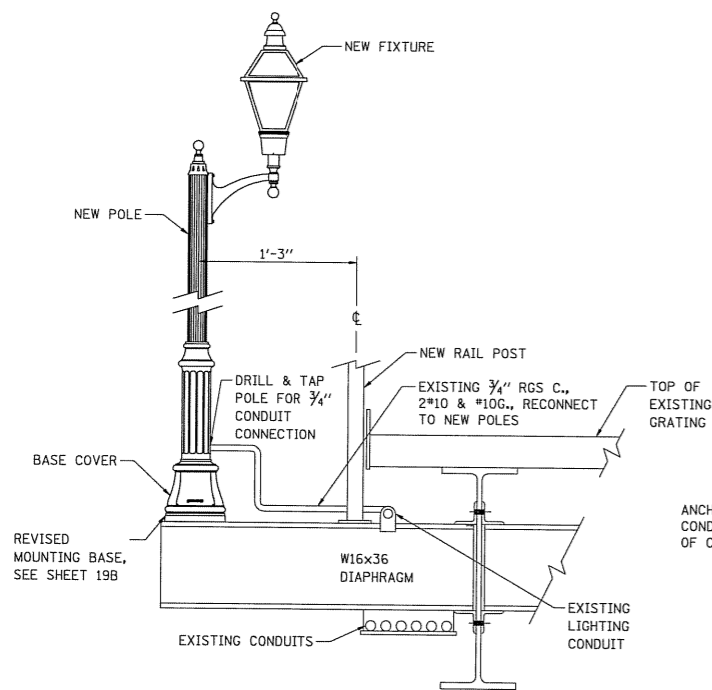
**HANSON**  
Hanson Professional Services, Inc.  
© Copyright Hanson Professional Services, Inc. 2005

Designed By    RDN  
Checked By    PJT  
Drawn By    ANC  
Checked By    PJT

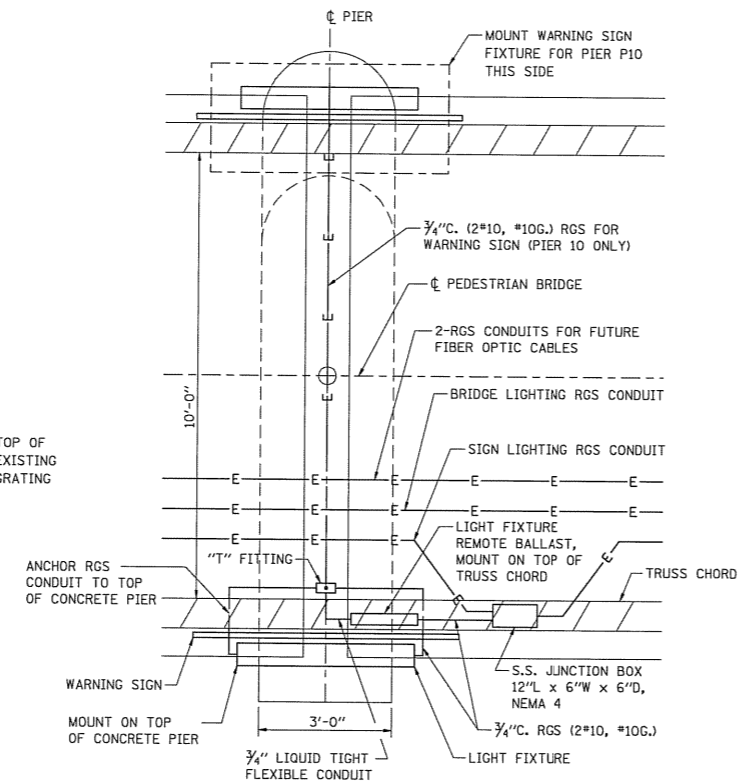
GFPC007HLDGN



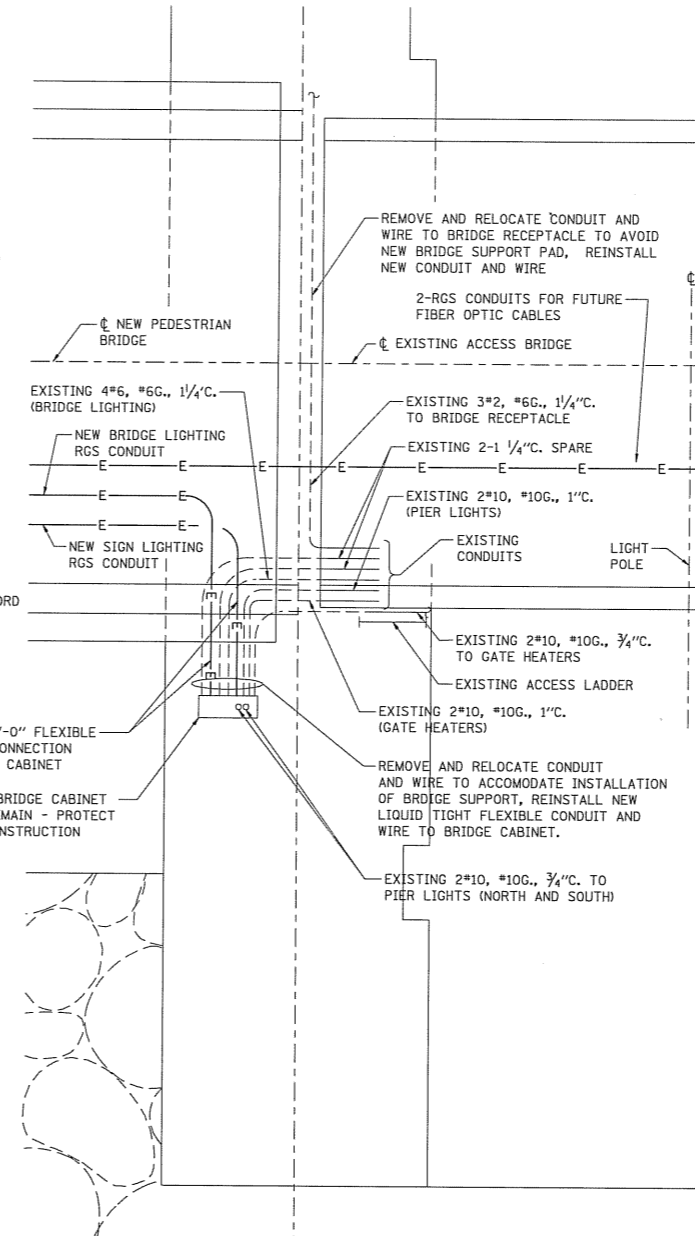
1  
21  
**PEDESTRIAN BRIDGE  
LIGHT FIXTURE MOUNTING DETAIL**  
SCALE: NONE



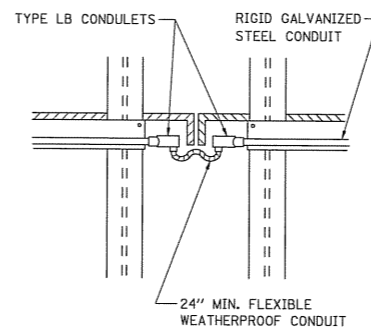
3  
21  
**ACCESS BRIDGE  
FIXTURE MOUNTING DETAIL**  
SCALE: NONE



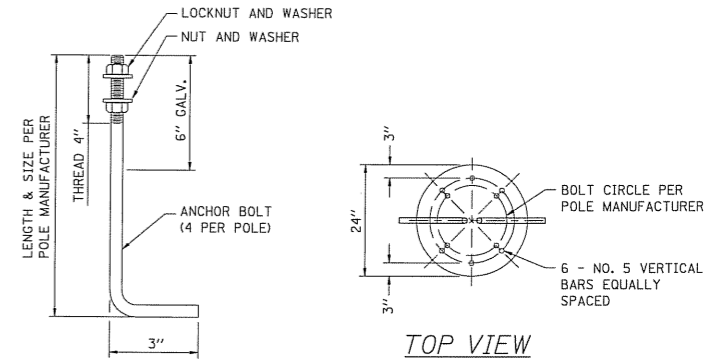
5  
21  
**OGEE PIER PLAN (P9, P10, P11)**  
SCALE: NONE



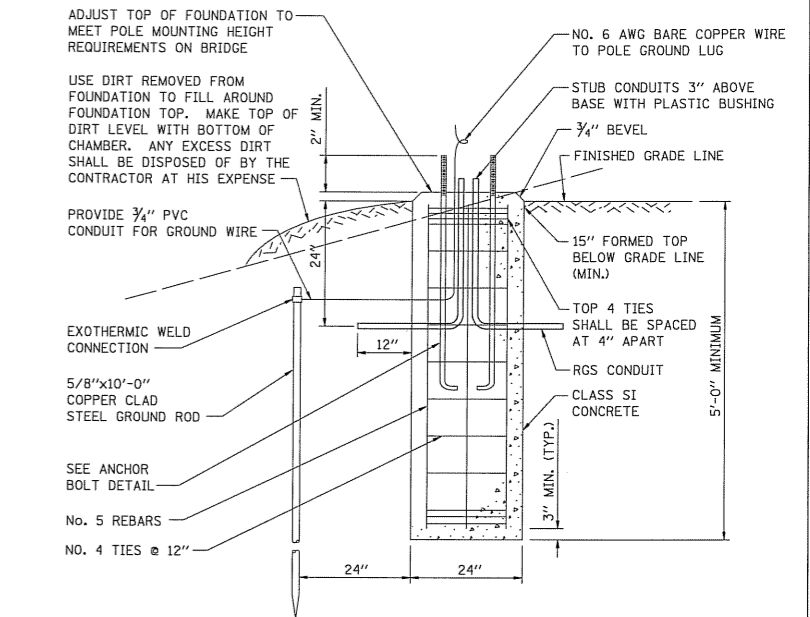
4  
21  
**PLAN - PIER 8**  
SCALE: NONE



6  
21  
**EXPANSION JOINT DETAIL**  
SCALE: NONE



2  
21  
**LIGHT POLE FOUNDATION DETAIL**  
SCALE: NONE



7  
21  
**TRENCH DETAIL**  
SCALE: NONE

PAUL J. TURCZYK  
LICENSED PROFESSIONAL ENGINEER  
062-42185  
11/30/07

ENTIRE SHEET, 4/17/06, PJT