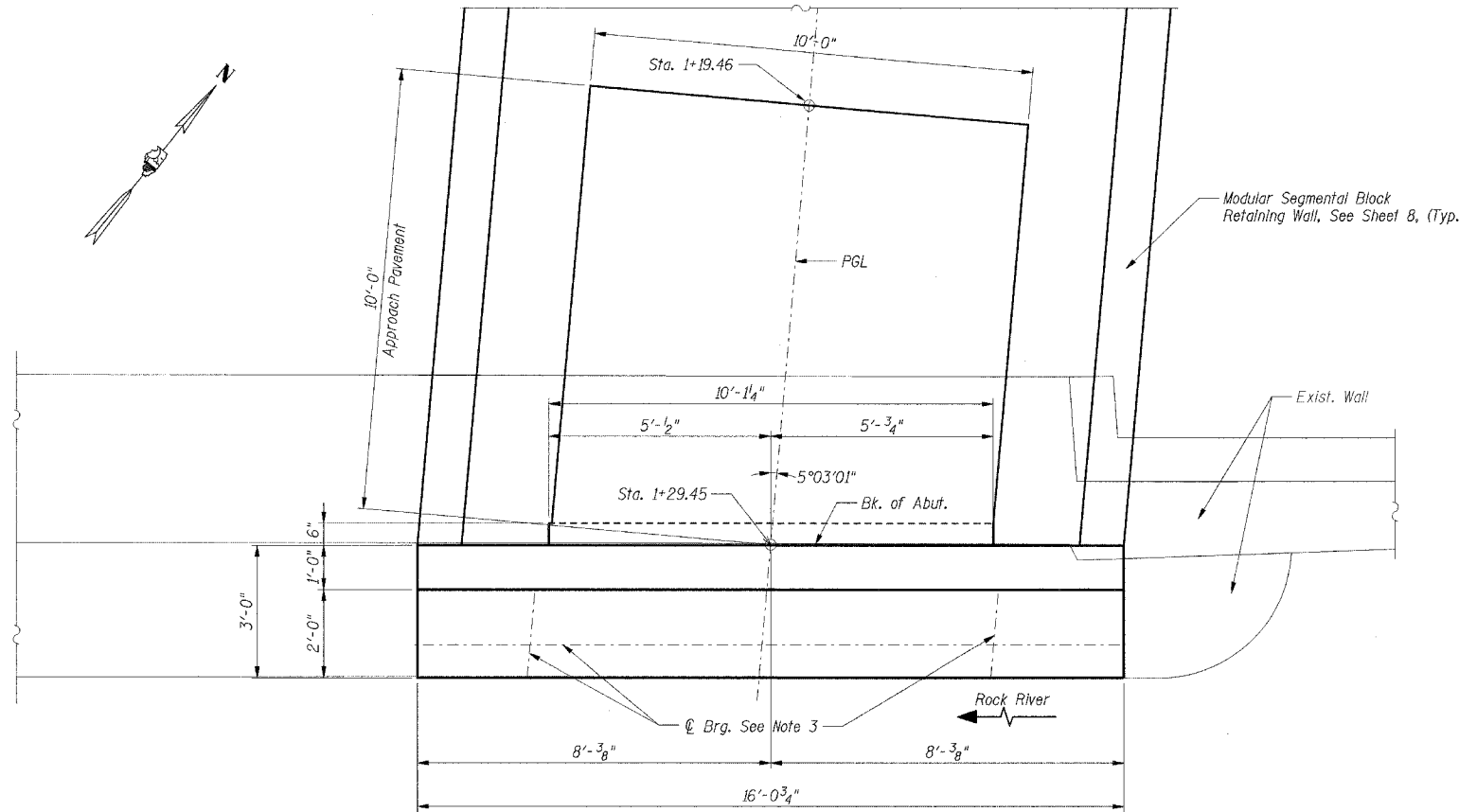
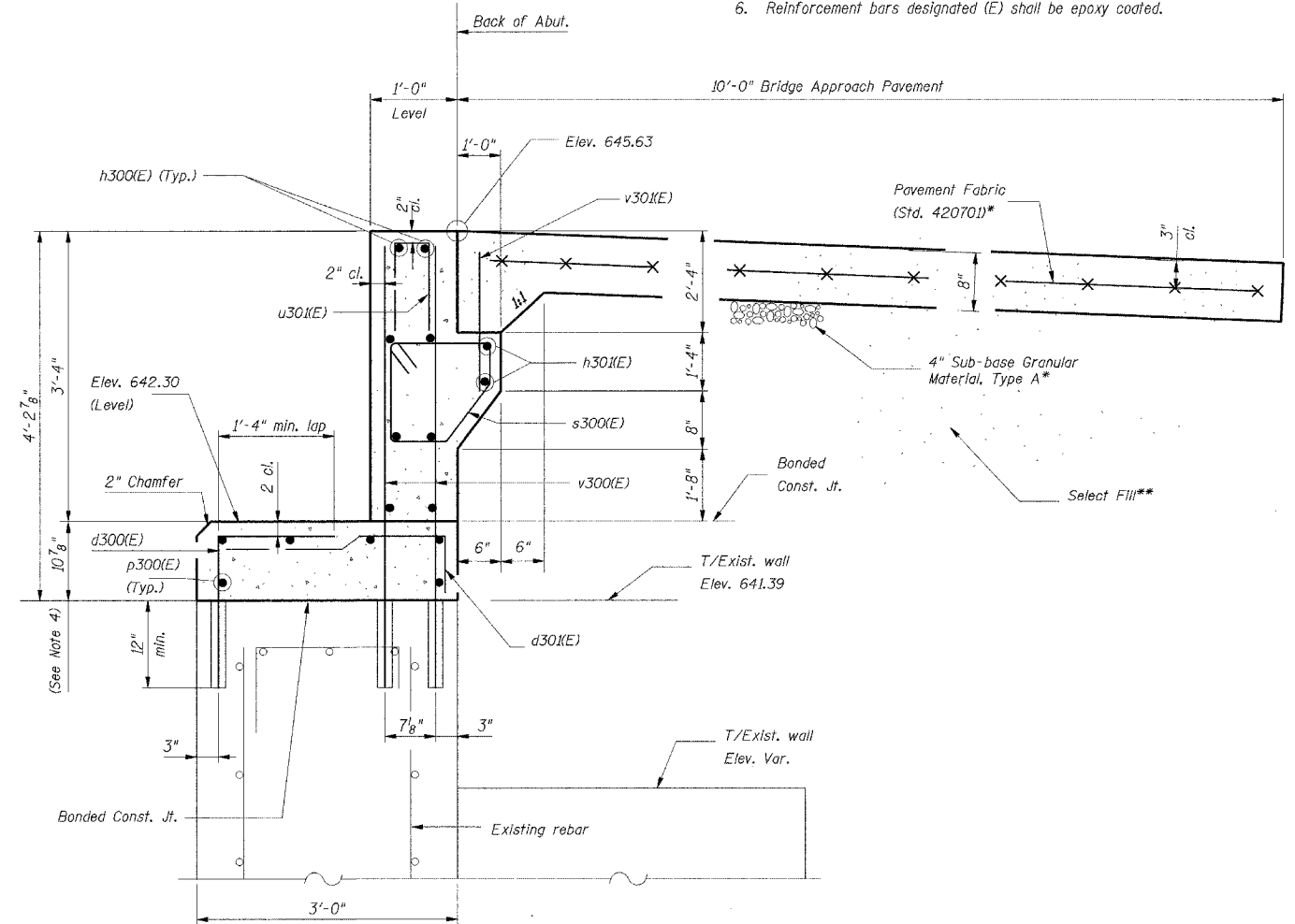


Notes:

1. Space reinforcement to miss anchor bolts.
2. All edges shall have a 3/4" chamfer unless noted otherwise.
3. Location of bearings to be as required for prefabricated truss bridge used. Prefabricated truss bridge manufacturer shall design bearings and anchor bolts to accommodate bearing seat dimensions provided with due consideration for required anchor bolt spacing and distances from anchor bolts to free edges of concrete.
4. The quantities, dimensions, and reinforcement details shown were developed using the bearing seat elevations shown and may change based upon final bearing seat elevations. Contractor shall adjust the bearing seat elevations accordingly to accommodate the prefabricated truss bridge used. Vertical lengths of affected bars shall also be adjusted accordingly.
5. Epoxy grouting of bars shall be done according to Section 584 of the Standard Specifications. The grout and method of application shall be approved by the engineer. Cost included with Reinforcement Bars, Epoxy Coated.
6. Reinforcement bars designated (E) shall be epoxy coated.



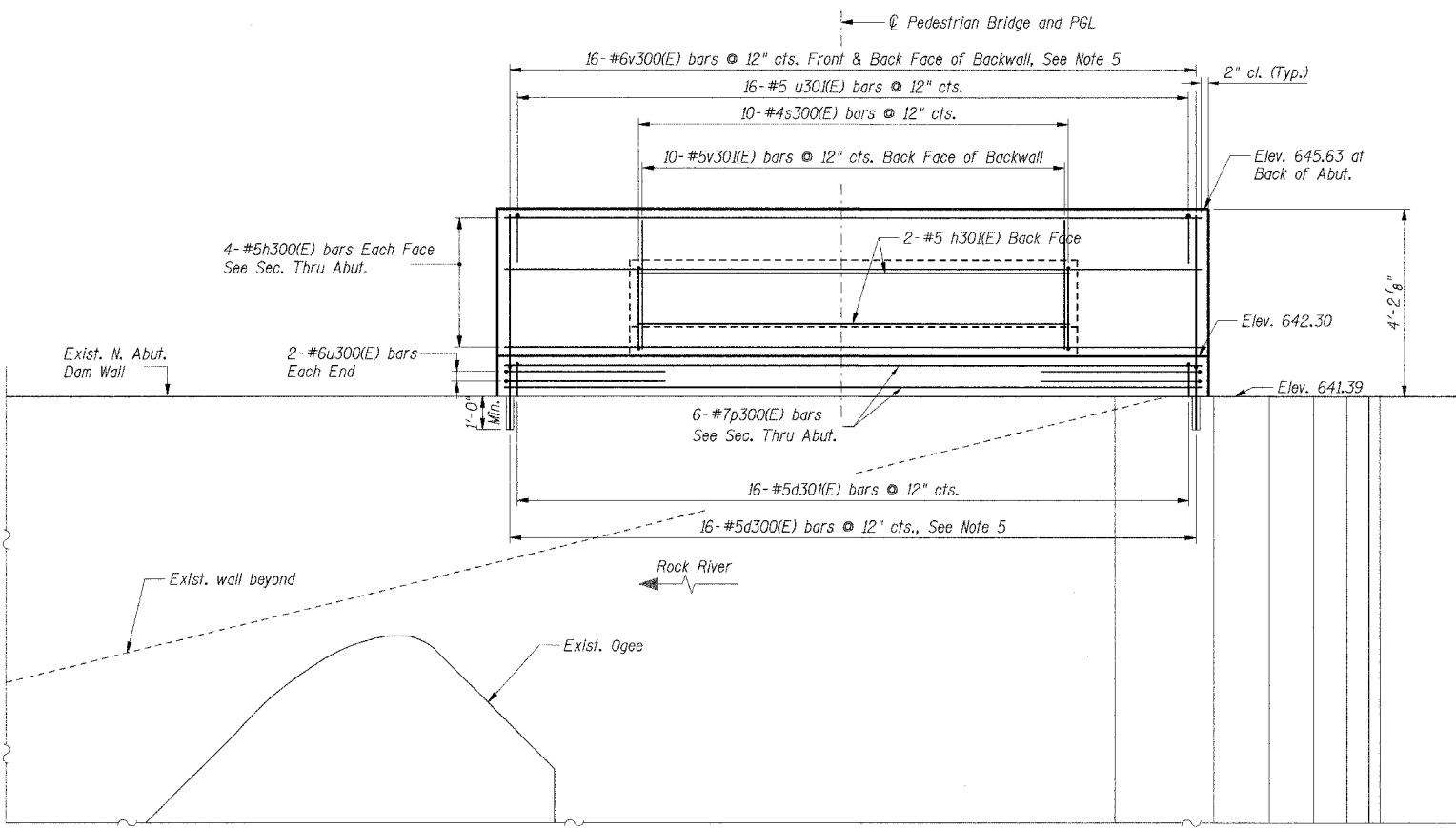
PLAN



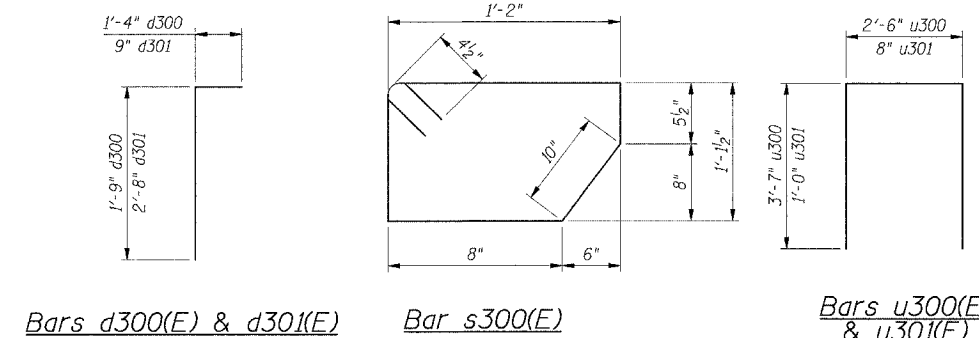
SEC. THRU ABUT.

\*Included in the cost of Bridge Approach Pavement.

\*\*Included in the cost of Modular Segmental Block Retaining Wall.



ELEVATION



BILL OF MATERIAL \*\*\*

Bar	No.	Size	Length	Shape
d300(E)	16	#5	3'-1"	┌───┐
d301(E)	16	#5	3'-5"	┌───┐
h300(E)	8	#5	15'-8"	───
h301(E)	2	#5	9'-9"	───
p300(E)	6	#7	15'-8"	───
s300(E)	10	#4	5'-0"	┌──┐
u300(E)	4	#6	9'-8"	┌──┐
u301(E)	16	#5	2'-8"	┌──┐
v300(E)	32	#6	5'-1"	───
v301(E)	10	#5	1'-7"	───
Concrete Structures		Cu. Yd.	3.8	
Reinforcement Bars, Epoxy Coated		Pound	850	
Bridge Seal Sealer		Sq. Ft.	32	

\*\*\*See Note 4