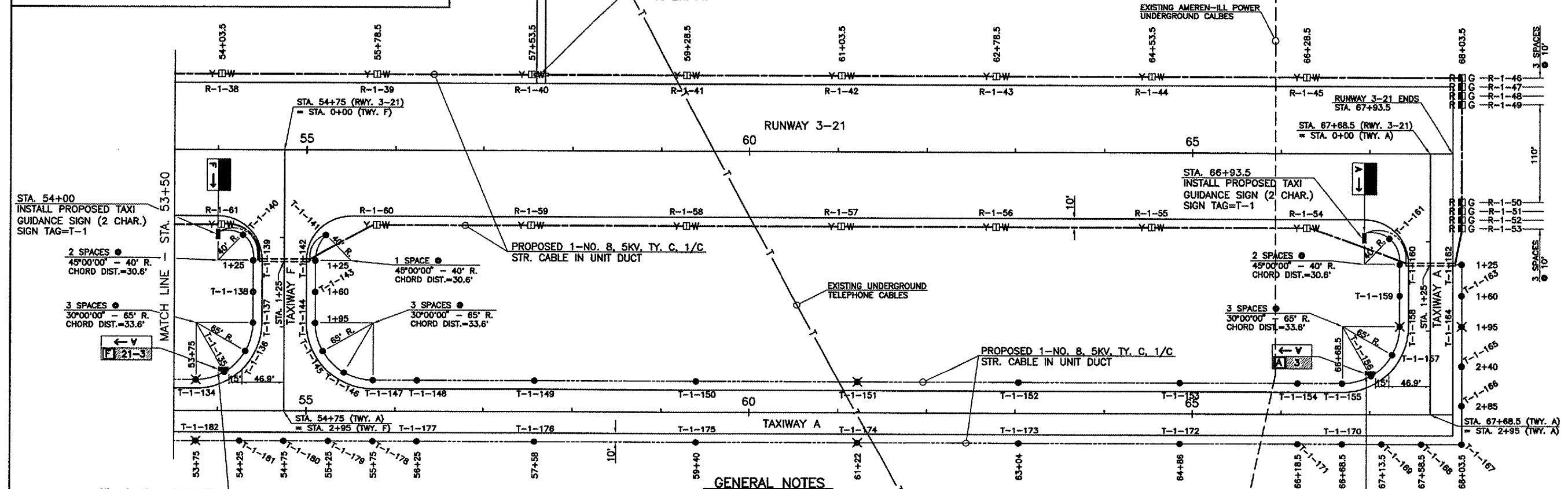
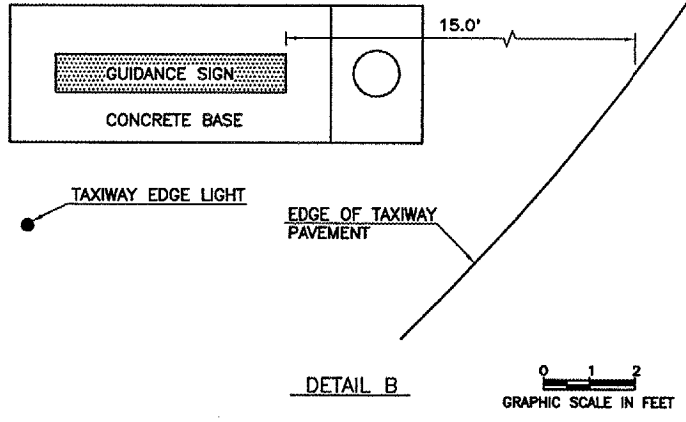


LEGEND

- R ◻ G PROPOSED H.I. THRESHOLD LIGHT - 180° RED/180° GREEN
- ◻ PROPOSED H.I. RUNWAY LIGHT - 360° WHITE
- Y ◻ W PROPOSED H.I. RUNWAY LIGHT - 180° YELLOW/180° WHITE
- R ◻ G PROPOSED M.I. THRESHOLD LIGHT - 180° RED/180° GREEN (STK. MTD.)
- PROPOSED M.I. RUNWAY LIGHT - 360° WHITE (STK. MTD.)
- ◊ PROPOSED M.I. RUNWAY LIGHT - 360° WHITE (BASE MTD.)
- PROPOSED M.I. TAXIWAY LIGHT (STK. MTD.)
- ✱ PROPOSED M.I. TAXIWAY LIGHT (BASE MTD.)
- EXISTING UNDERGROUND DUCT (2-WAY UNLESS OTHERWISE NOTED)
- ===== PROPOSED UNDERGROUND DUCT
- [C] TAXI GUIDANCE SIGN
YELLOW LEGEND ON BLACK BACKGROUND
WITH YELLOW BORDER
- [13-31] TAXI GUIDANCE SIGN
WHITE LEGEND ON RED BACKGROUND
- [C →] TAXI GUIDANCE SIGN
BLACK LEGEND ON YELLOW BACKGROUND
- PROPOSED TAXI GUIDANCE SIGN
- PROPOSED CABLE FOR RUNWAY 3-21 CIRCUIT
- PROPOSED CABLE FOR RUNWAY 10-28 CIRCUIT
- PROPOSED CABLE FOR TAXIWAY CIRCUIT 1
- PROPOSED CABLE FOR TAXIWAY CIRCUIT 2
- APPROXIMATE LOCATION OF EXISTING UNDERGROUND CABLE
- - - - - APPROXIMATE LOCATION OF EXISTING TELEPHONE CABLE



GENERAL NOTES

1. ALL RUNWAY AND TAXIWAY EDGE LIGHTS SHALL BE INSTALLED 10' FROM THE EDGE OF PAVEMENT. ALL TAXI GUIDANCE SIGNS SHALL BE INSTALLED 15' FROM THE EDGE OF PAVEMENT.
2. TRENCH/CABLE QUANTITIES WERE DETERMINED UTILIZING LINEAR DISTANCES BETWEEN CONSECUTIVE POINTS AND THE NEAREST LIGHT TO THE DUCT OPENING.
3. THE APPROXIMATE LOCATION OF UNDERGROUND CABLES AS INDICATED IN THESE PLANS HAS BEEN OBTAINED FROM EXISTING RECORDS. NEITHER THE OWNER NOR THE ENGINEER ASSUMES ANY RESPONSIBILITY IN RESPECT TO THE ACCURACY OR SUFFICIENCY OF THE INFORMATION AND THERE IS NO GUARANTEE, EITHER EXPRESSED OR IMPLIED, THAT THE CONDITIONS INDICATED ARE REPRESENTATIVE OF THOSE TO BE ENCOUNTERED IN THE CONSTRUCTION.
4. THE APPROXIMATE LOCATION OF VARIOUS AIRFIELD LIGHTING SYSTEM CABLES IS SHOWN FOR THE CONTRACTOR'S INFORMATION. IT WILL BE THE CONTRACTOR'S RESPONSIBILITY TO LOCATE THE EXISTING CABLES IN THE WORK AREAS AND MAKE HIS OWN DETERMINATION AS TO THE NUMBER OF CABLES EXISTING IN SAID AREAS AND AS TO THE CIRCUIT THAT THE CABLES ARE ASSOCIATED WITH. CAUTION SHALL BE EXERCISED WHEN TRENCHING, EXCAVATING DUCT ENDS, ETC. TO AVOID CUTTING THE EXISTING CIRCUIT CABLES. ANY EXISTING CABLE DAMAGED SHALL BE REPAIRED BY THE CONTRACTOR AT HIS OWN EXPENSE.
5. LETTERS AND NUMBERS SHOWN ADJACENT TO AN EDGE LIGHT (R-1-21, T-2-31) INDICATE THE LIGHT NUMBER TO BE ATTACHED TO THE LIGHT ON AN IDENTIFICATION TAG. SEE THE IDENTIFICATION TAG DETAIL SHOWN IN THESE PLANS.
6. SIGN TAGS (T-2) INDICATE THE TAXIWAY CIRCUIT ASSOCIATED WITH THE SIGN. THESE IDENTIFICATION TAGS SHALL BE ATTACHED TO EACH SIGN. SEE THE IDENTIFICATION TAG DETAIL SHOWN IN THESE PLANS.
7. THE CONTRACTOR SHALL APPLY AN ANTI-SEIZING COMPOUND TO THE BOLTS FOR THE BASE PLATES AND TO THE THREADED COUPLINGS OF THE LIGHTING EQUIPMENT WHEN ASSEMBLING THE EQUIPMENT.
8. THE PROPOSED UNDERGROUND CABLE BETWEEN CONSECUTIVE LIGHTING UNITS SHALL BE INSTALLED BY PLOWING FACTORY ASSEMBLED CABLE IN UNIT DUCT IN PLACE.
9. IN LOCATIONS WHERE TWO OR MORE CABLES ARE TO BE INSTALLED IN TRENCH, THE TRENCH SHALL BE WIDENED SUFFICIENTLY TO INSTALL ALL THE CABLES IN ONE TRENCH. COST OF THE WIDER TRENCH SHALL BE CONSIDERED INCIDENTAL TO THE CABLE TRENCH.
10. THE EXISTING UNDERGROUND CABLE TO THE EXISTING EDGE LIGHTS SHALL BE ABANDONED WITH THE EXCEPTION THAT ALL EXISTING CABLE BEING REPLACED THAT IS IN THE SAME LOCATION IN TRENCH OR DUCT AS THE PROPOSED CABLE SHALL BE REMOVED FROM THE TRENCH OR DUCT. THE CABLE REMOVED SHALL BE DISPOSED OF OFF THE AIRPORT PROPERTY BY THE CONTRACTOR AND SAID REMOVAL AND DISPOSAL SHALL BE CONSIDERED INCIDENTAL TO THE CONTRACT.

STA. 54+00
INSTALL PROPOSED TAXI
GUIDANCE SIGN (2 CHAR.)
SIGN TAG=T-1

2 SPACES
45°00'00" - 40' R.
CHORD DIST.=30.6'

3 SPACES
30°00'00" - 65' R.
CHORD DIST.=33.6'

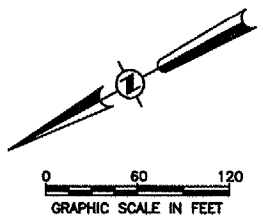
STA. 2+48 - 61.9' RT.
INSTALL PROPOSED TAXI
GUIDANCE SIGN (4 CHAR.)
IN LINE WITH 2ND SOLID
LINE OF HOLDING MARKING
SIGN TAG=T-1
SEE DETAIL B

STA. 66+93.5
INSTALL PROPOSED TAXI
GUIDANCE SIGN (2 CHAR.)
SIGN TAG=T-1

2 SPACES
45°00'00" - 40' R.
CHORD DIST.=30.6'

3 SPACES
30°00'00" - 65' R.
CHORD DIST.=33.6'

STA. 2+48 - 61.9' RT.
INSTALL PROPOSED TAXI
GUIDANCE SIGN (2 CHAR.)
IN LINE WITH 2ND SOLID
LINE OF HOLDING MARKING
SIGN TAG=T-1
SEE DETAIL B



GALESBURG MUNICIPAL AIRPORT
GALESBURG, ILLINOIS

**RUNWAY 3-21 AND
ASSOCIATED TAXIWAYS
LIGHTING LAYOUT**

HUTCHISON ENGINEERING, INC.
JACKSONVILLE, ILLINOIS

DRAWN BY: T.J.D. ILL. PROJ. NO. 686-3433
DATE: MARCH, 2006 AIP PROJ. NO. 3-17-0047-B8