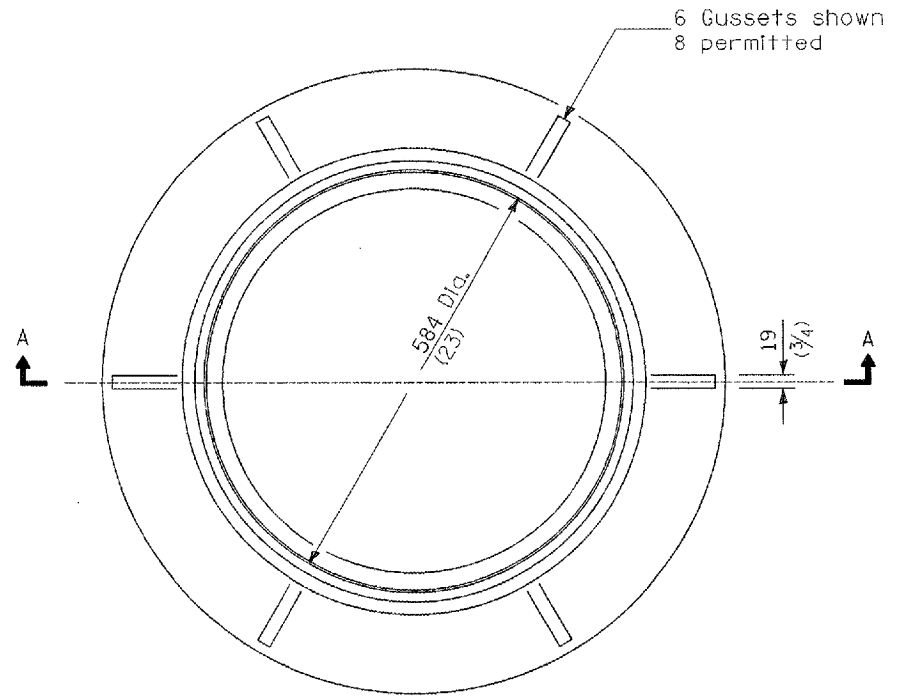
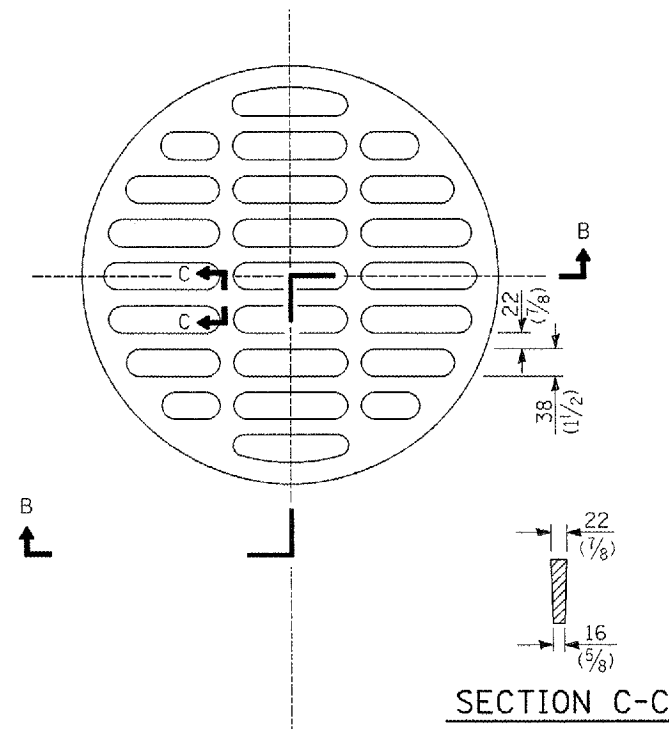


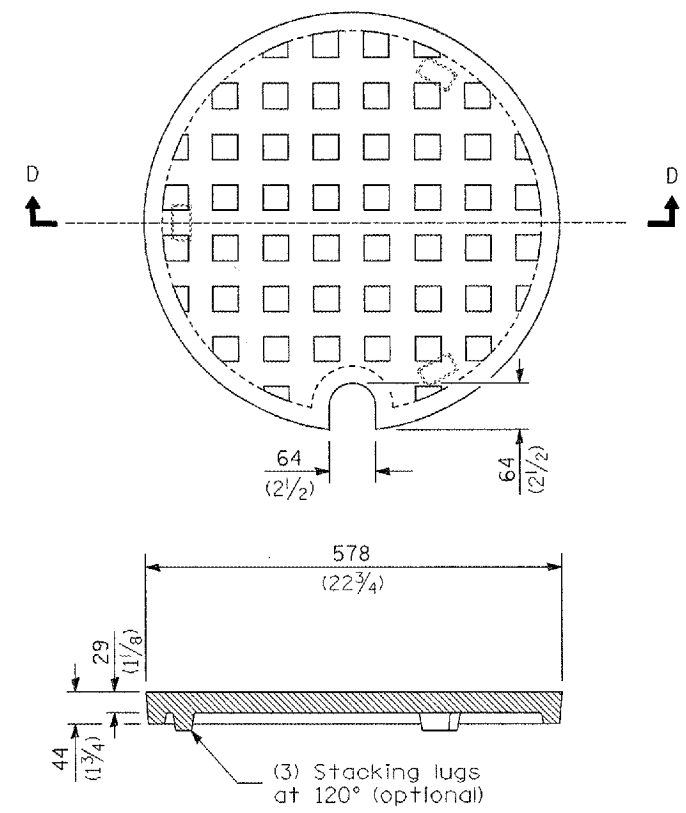
CONTRACT NUMBER	COUNTY	TOTAL SHEETS	SHEET NO.
GR002	BOND	29	22



**CAST FRAME**



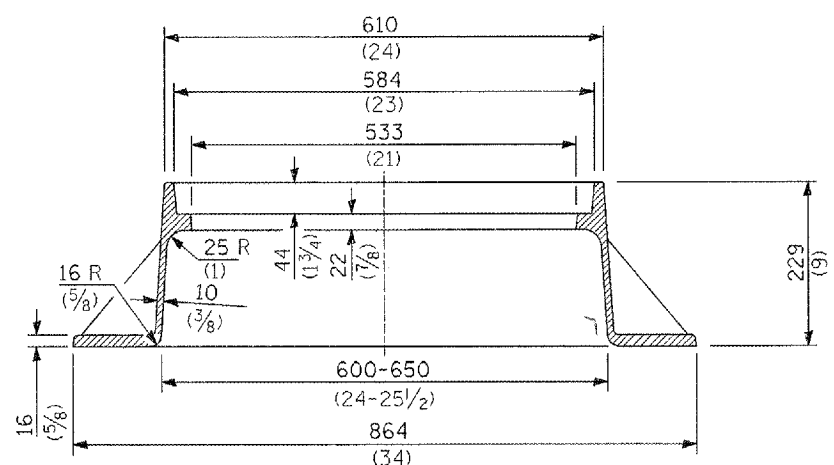
**SECTION C-C**



**SECTION D-D**

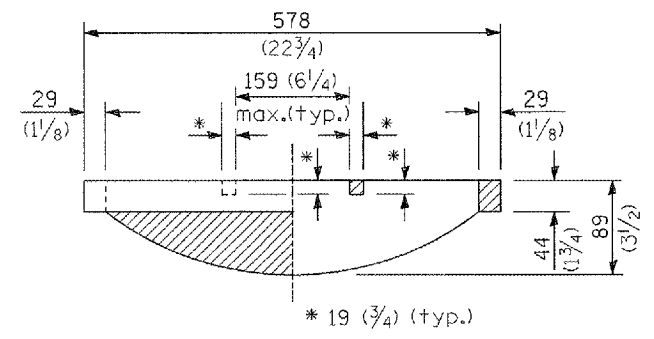
**CAST CLOSED LID**

Gray Iron Lid  
56.7 kg (125 lbs)



**SECTION A-A**

Gray Iron  
73.5 kg (162 lb)



**SECTION B-B**

**CAST OPEN LID**

53 kg (116 lbs)

All dimensions are in millimeters (inches) unless otherwise shown.



DATE	DESCRIPTION OF THE REVISIONS	BY

GREENVILLE AIRPORT AUTHORITY GREENVILLE, ILLINOIS

HENRY, MEISENHEIMER & GENDE, INC.  
ENGINEERS  
CARLYLE, ILLINOIS 62231  
www.hmgengineers.com  
(618) 584-3711 Fax: (618) 584-8217

**FRAME AND LIDS  
TYPE 1**

**STANDARD 604001**

IL PROJ. NO.	GRE-3215
A.I.P. PROJ. NO.	3-17-0049-B4
FILE NAME	IDOT-604001
DATE	03-24-2006

H.M.G. NO. 5586