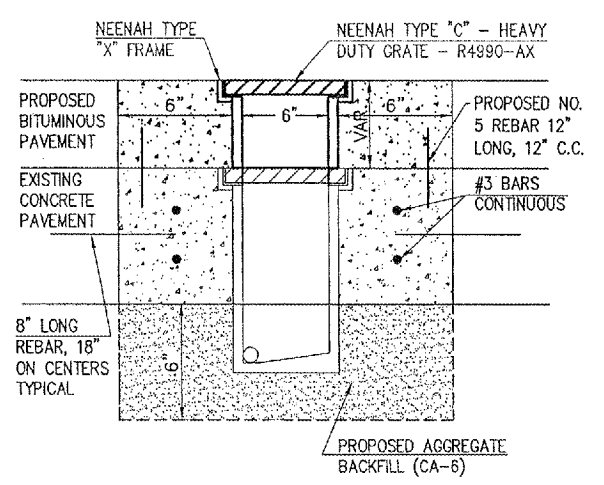
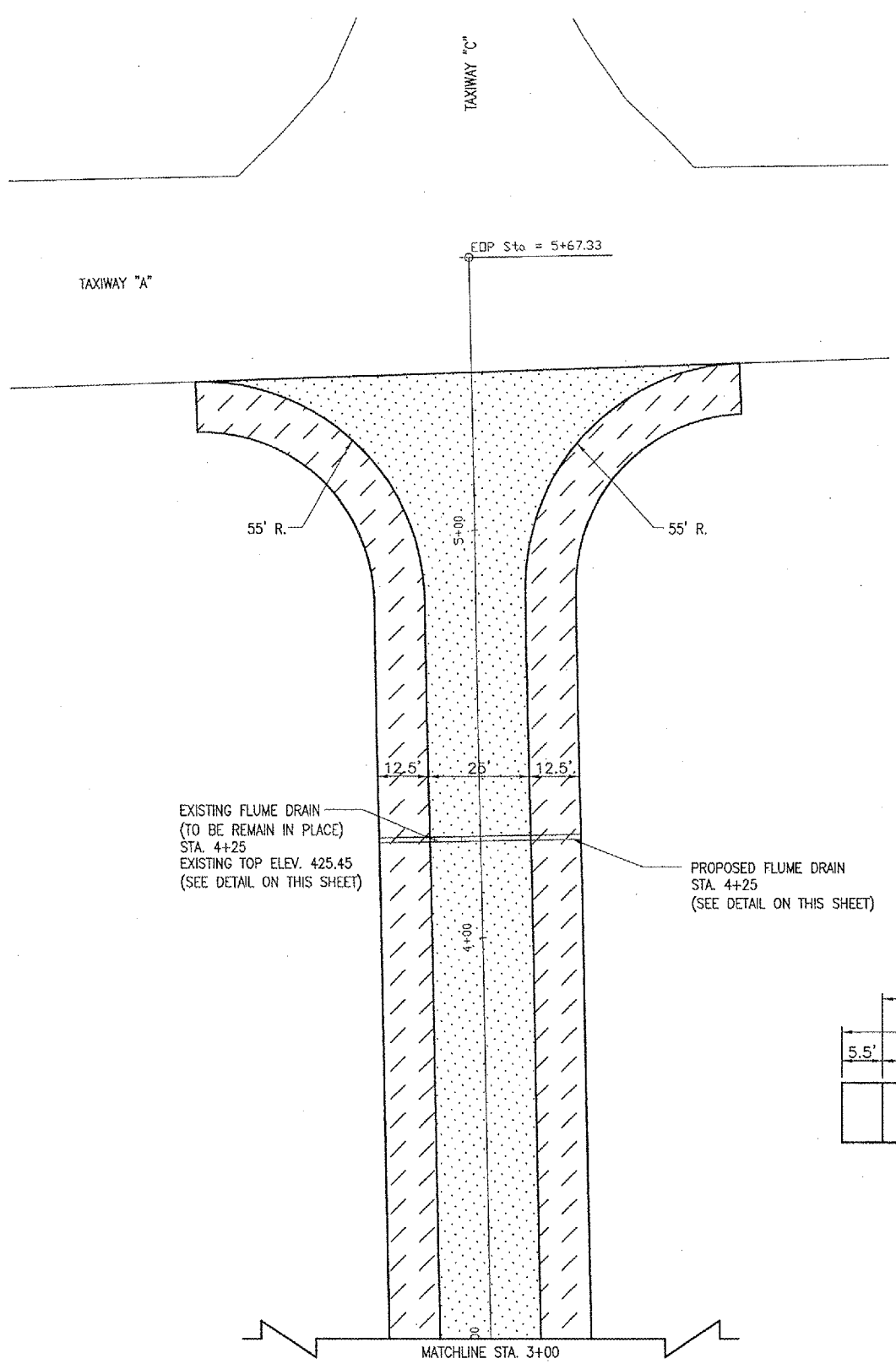
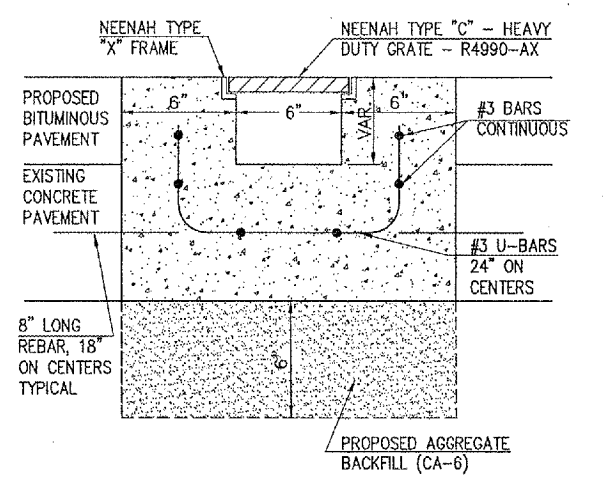


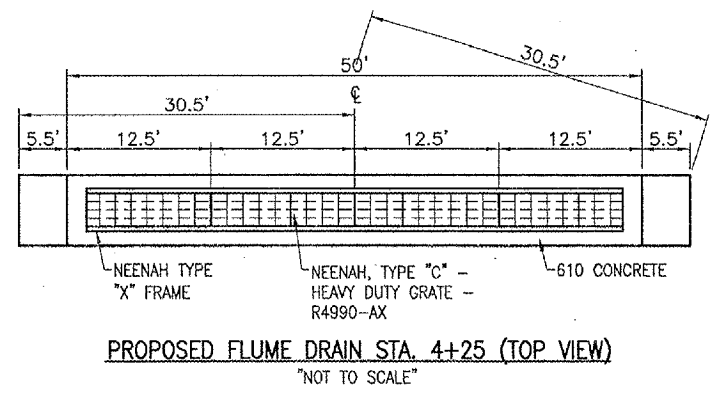
MAR 29, 2005 10:34 AM CAH
I:\AIRPORTS\LAURENCE\B12-06APN\AIRPORT\ SHEETS\R-13\DRN.DWG - STA. 3+00 TO STA. 5+67.33



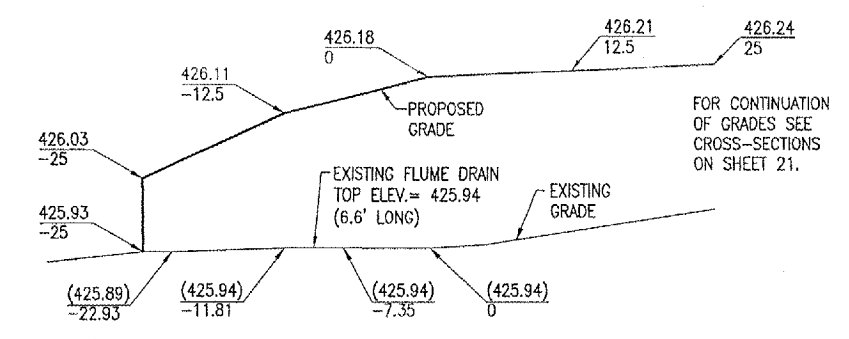
FLUME DRAIN ADJUSTMENT DETAIL
"NOT TO SCALE"



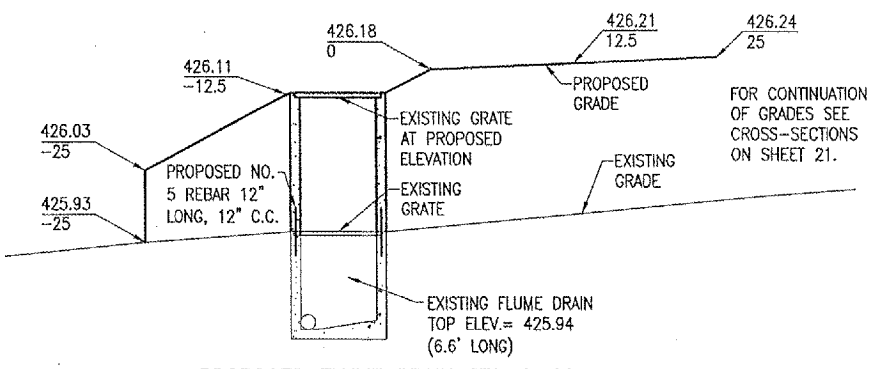
FLUME DETAIL
"NOT TO SCALE"



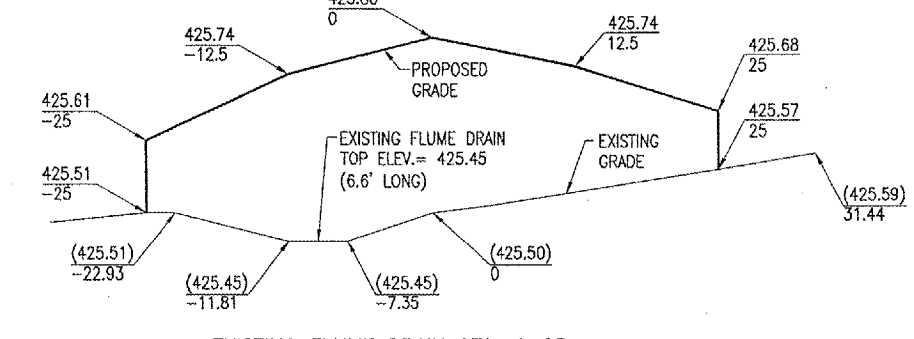
PROPOSED FLUME DRAIN STA. 4+25 (TOP VIEW)
"NOT TO SCALE"



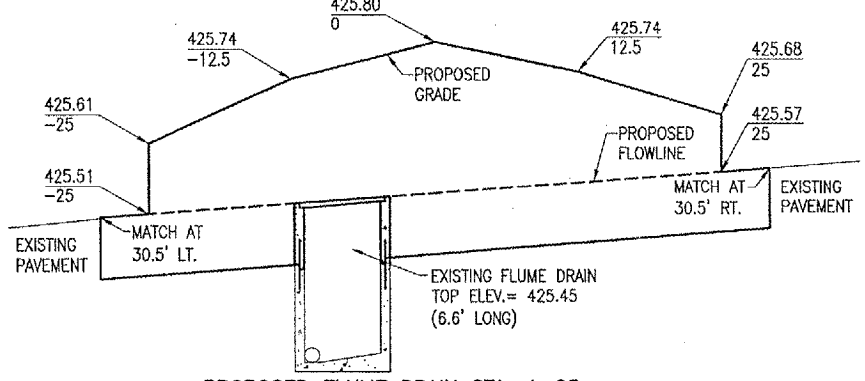
EXISTING FLUME DRAIN STA. 2+00
"NOT TO SCALE"



PROPOSED FLUME DRAIN STA. 2+00
"NOT TO SCALE"

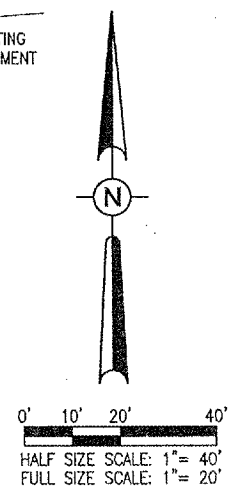


EXISTING FLUME DRAIN STA. 4+25
"NOT TO SCALE"



PROPOSED FLUME DRAIN STA. 4+25
"NOT TO SCALE"

- LEGEND**
- EXISTING PAVEMENT
 - PROPOSED BITUMINOUS OVERLAY (4" AVERAGE)
 - PROPOSED BITUMINOUS TAPER
 - EXISTING FLUME DRAIN (TO BE ADJUSTED)



DATE	REVISION	BY	MID-AMERICAN AIR CENTER LAURENCEVILLE-VINCENNES AIRPORT LAURENCEVILLE, ILLINOIS	I.L. PROJ.: LW-3546 A.I.P. PROJ.: 3-17-0061-B12
I.L. Project No. 812-06APN-0800 File Name: R-13\DRN.DWG Scale: 1" = 20' Date: 12/12/05			LAYOUT: B.A.B. 12/12/05 DRAWN: B.A.K. 12/12/05 REVIEWED: C.A.H. 1/13/06	
			Hanson Professional Services Inc. 1625 South State Street Springfield, Illinois 62761-3886 Chicago Nationwide	
RECONSTRUCTION OF TWO APRON AREAS			PROPOSED DRAINAGE PLAN STA. 3+00 TO STA. 5+67.33	
15 15 of 24 sheets				