

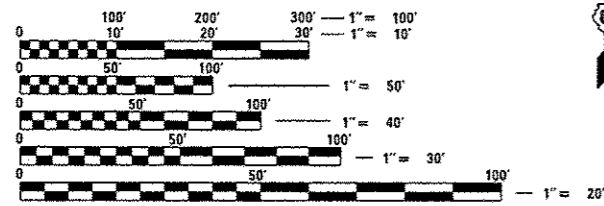
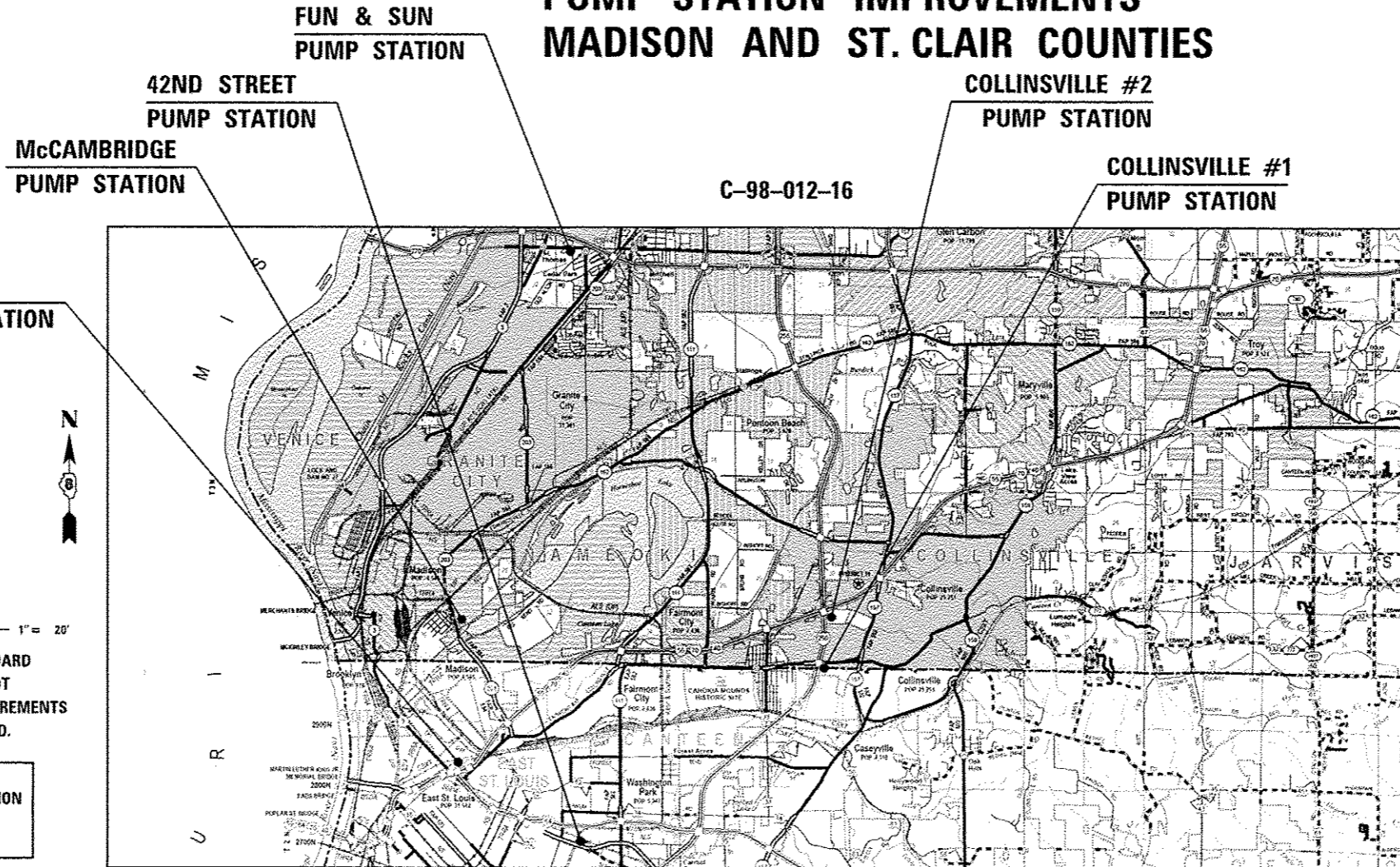
**STATE OF ILLINOIS**  
**DEPARTMENT OF TRANSPORTATION**  
**DIVISION OF HIGHWAYS**  
**PROPOSED**  
**HIGHWAY PLANS**

F.A.P./F.A.I./F.A.U. RTE.	SECTION	COUNTY	TOTAL SHEETS	SHEET NO.
594/255/9166	580PS/60-7PS/33PS	MADISON/ST. CLAIR ILLINOIS	8	1
			CONTRACT NO. 76J38	

- INDEX OF SHEETS**
- 1 COVER SHEET
  - 2 GENERAL NOTES
  - 3 SUMMARY OF QUANTITIES
  - 4 TRAFFIC CONTROL AND PROTECTION
  - 5 PAINTING PLANS
  - 6 PAINTING ELEVATIONS
  - 7-8 DOOR REPLACEMENT

- HIGHWAY STANDARDS**
- 000001-06 STANDARD SYMBOLS, ABBREVIATIONS AND PATTERNS
  - 701101-05 OFF-ROAD OPERATIONS, MULTILANE, 15 (4.5 M) TO 24 (600 MM) FROM PAVEMENT EDGE
  - 701106-02 OFF-ROAD OPERATIONS, MULTILANE, MORE THAN 15 (4.5 M) AWAY
  - 701611-01 URBAN HALF ROAD CLOSURE, MULTILANE, 2W WITH MOUNTABLE MEDIAN
  - 701801-06 SIDEWALK, CORNER OR CROSSWALK CLOSURE
  - 701901-06 TRAFFIC CONTROL DEVICES
  - 720011-01 METAL POSTS FOR SIGNS, MARKERS AND DELINEATORS
  - 728001-01 TELESCOPING STEEL SIGN SUPPORT
  - 729001-01 APPLICATIONS OF TYPES A AND B METAL POSTS (FOR SIGNS & MARKERS)

**FAP ROUTE 594 (IL 203)**  
**FAI ROUTE 255 (I-255)**  
**FAU ROUTE 9166 (ST. CLAIR AVE.)**  
**SECTION 580PS, 60-7PS, 33PS**  
**PUMP STATION IMPROVEMENTS**  
**MADISON AND ST. CLAIR COUNTIES**



FULL SIZE PLANS HAVE BEEN PREPARED USING STANDARD ENGINEERING SCALES. REDUCED SIZED PLANS WILL NOT CONFORM TO STANDARD SCALES. IN MAKING MEASUREMENTS ON REDUCED PLANS, THE ABOVE SCALES MAY BE USED.

**J.U.L.I.E.**  
**JOINT UTILITY LOCATION INFORMATION FOR EXCAVATION**  
**1-800-892-0123**  
**OR 811**

**PROJECT ENGINEER: HERVE GELIN 618-346-3179**  
**PROJECT MANAGER: PHILLIP SAWYER 618-346-3275**  
**SQUAD LEADER: MICHAEL PRESTON 618-346-3143**  
**CONTRACT NO. 76J38**

PLANS PREPARED BY:  
**LIN ENGINEERING LTD.**  
 Consulting Engineers  
 Springfield, Illinois

GROSS LENGTH = N/A  
 NET LENGTH = N/A

STATE OF ILLINOIS  
 DEPARTMENT OF TRANSPORTATION  
 DIVISION OF HIGHWAYS

SUBMITTED Feb 3 20 17  
Jeffrey Z. Kanas  
 REGION 5 ENGINEER

Mar 24 20 17  
Maureen M. Addis  
 ENGINEER OF DESIGN AND ENVIRONMENT

Mar 24 20 17  
[Signature]  
 DIRECTOR OF HIGHWAYS, CHIEF ENGINEER

**PRINTED BY THE AUTHORITY**  
**OF THE STATE OF ILLINOIS**

LK 12:45:18 PM  
 02/20/17  
 E:\Road\Specular\03\_042017\_Plan\Drawings\Sheet\01\010603000.dwg

**GENERAL NOTES:**

1. PLAN DIMENSIONS AND DETAILS RELATIVE TO EXISTING STRUCTURE HAVE BEEN TAKEN FROM EXISTING PLANS AND ARE SUBJECT TO NOMINAL CONSTRUCTION VARIATIONS. IT SHALL BE THE CONTRACTOR'S RESPONSIBILITY TO VERIFY SUCH DIMENSIONS AND DETAILS IN THE FIELD, AND MAKE NECESSARY APPROVED ADJUSTMENTS PRIOR TO CONSTRUCTION OR ORDERING MATERIALS.
2. IT IS THE CONTRACTOR'S RESPONSIBILITY TO ENFORCE ALL APPLICABLE SAFETY CODES AND REGULATIONS DURING ALL PHASES OF CONSTRUCTION.
3. THE CONTRACTOR SHALL PERFORM ALL CONSTRUCTION FOR THE PROJECT IN A MANNER AND SEQUENCE THAT ARE BASED ON ACCEPTED INDUSTRY STANDARDS THAT RECOGNIZE THE INTERACTION OF THE COMPONENTS THAT COMPRISE THE STRUCTURE, WITHOUT CAUSING DISTRESS, UNANTICIPATED MOVEMENTS OR IRREGULAR LOAD PATHS AS A RESULT OF THE CONSTRUCTION MEANS AND METHODS EMPLOYED.
4. ALL CONTRACTORS ARE REQUIRED TO EXAMINE THE DRAWINGS AND SPECIAL PROVISIONS CAREFULLY, VISIT THE SITE AND FULLY INFORM THEMSELVES AS TO ALL EXISTING CONDITIONS AND LIMITATIONS, PRIOR TO AGREEING TO PERFORM THE WORK. FAILURE TO VISIT THE SITE AND FAMILIARIZE THEMSELVES WITH THE EXISTING CONDITIONS AND LIMITATIONS WILL IN NO WAY RELIEVE THE CONTRACTOR FROM FURNISHING ANY MATERIALS OR PERFORMING ANY WORK IN ACCORDANCE WITH THE DRAWINGS AND SPECIFICATIONS WITHOUT ADDITIONAL COST TO THE OWNER.
5. DRAWINGS ARE NOT TO SCALE.
6. DURING CONSTRUCTION THE CONTRACTOR SHALL BE RESPONSIBLE FOR MAINTENANCE OF THE EXISTING PUMP STATION BUILDING.
7. TRAFFIC CONTROL SHALL BE IN PLACE AND THE EXISTING PUMP STATION SHALL BE BYPASSED PRIOR TO PERFORMING ANY WORK IN THE EXISTING PUMP STATION.
8. THE DEPARTMENT STRONGLY ENCOURAGES THE PRIME CONTRACTOR AND THEIR APPROVED SUB-CONTRACTORS TO HIRE MINORITY, WOMEN A DISADVANTAGED INDIVIDUALS FROM ITS FEDERALLY FUNDED HIGHWAY CONSTRUCTION CAREERS TRAINING PROGRAM (HCCTP) TO HELP MEET WORKFORCE AND TRAINEE GOALS. THIS PROGRAM IS TRAINING MINORITIES, WOMEN AND DISADVANTAGED INDIVIDUALS IN HIGHWAY CONSTRUCTION-RELATED SKILLS, (E.G., MATH, FOR THE TRADES, JOB READINESS, TECHNICAL SKILLS COURSEWORK (CARPENTRY, CONCRETE FLAT WORK, BLUEPRINT READING, SITE PLANS SITE WORK, TOOLS, ETC.) AND OSHA 10 HOUR CERTIFICATION), TO PREPARE THEM FOR A CAREER IN THE HIGHWAY CONSTRUCTION TRADES. GRADUATES ARE WELL-TRAINED AND READY TO BECOME PRODUCTIVE ENTRY LEVEL CONSTRUCTION WORKERS. CONTACT THE DISTRICT 8 EEO OFFICE AT 618-346-3360 AND/OR THE HCCTP COORDINATOR AT 616-874-6528 TO LEARN MORE ABOUT THE PROGRAM AND FOR ASSISTANCE IN MEETING WORKFORCE AND TRAINEE GOALS
9. ILLINOIS STATE LAW REQUIRES A 48-HOUR NOTICE BE GIVEN TO UTILITIES BEFORE DIGGING. FIELD MARKING OF FACILITIES MAY BE OBTAINED BY CONTACTING J.U.L.I.E. (1-800-892-0123 OR 811) OR FOR NON-MEMBERS THE UTILITY COMPANY DIRECTLY.
10. FUN AND SUN PUMP STATION  
(SEE "PUMP STATION ELECTRICAL WORK" SPECIAL PROVISION-SECTION 333216 PACKAGED STORMWATER PUMPING SYSTEM COMPONENTS)  
  
THE PUMP AND CONTROL PANEL ARE TO BE USED FOR THE REPLACEMENT OF EXISTING EQUIPMENT AT THE FUN AND SUN PUMP STATION LOCATED AT 3124 WEST CHAIN OF ROCKS ROAD, GRANITE CITY, ILLINOIS. SUPPLIER HAS OVERALL RESPONSIBILITY TO SUPPLY EQUIPMENT THAT IS COMPATIBLE WITH EXISTING EQUIPMENT AND CONDITIONS. VERIFICATION OF EXISTING EQUIPMENT IS THE RESPONSIBILITY OF THE SUPPLIER. OWENER WILL PROVIDE SHOP DRAWINGS OF ORIGINAL INSTALLATION AND ACCESS TO THE EXISTING INSTALLATION AS NECESSARY FOR VERIFICATION PURPOSES.  
  
THE PUMP WILL NOT BE IMMEDIATELY INSTALLED AND WILL SERVE A FUTURE REPLACEMENT FOR EXISTING EQUIPMENT.
11. BOWMAN AVENUE PUMP STATION  
(SEE "PUMP STATION ELECTRICAL WORK" SPECIAL PROVISION-SECTION 354502 SUBMERSIBLE MIXED-FLOW PUMPS)  
  
THE CONTRACTOR SHALL FURNISH AND DELIVER ONE (1) PUMPING UNIT AS HEREINAFTER MORE PARTICULARLY SPECIFIED. THE PUMPING UNIT WILL SERVE AS A FUTURE REPLACEMENT FOR THE EXISTING "SUMP PUMP #1" AT THE BOWMAN AVENUE PUMP STATION. THE EXISTING DISCHARGE TUBE WILL BE RE-USED AND A NEW DISCHARGE TUBE IS NOT REQUIRED. INSTALLATION OF THE PUMPING UNIT IS NOT A REQUIREMENT OF THIS PROJECT.  
  
(SEE "PUMP STATION ELECTRICAL WORK" SPECIAL PROVISION-HEAVY DUTY TRAILER)  
A HEAVY DUTY TRAILER SHALL BE FURNISHED AND DELIVERED TO THE IDOT DISTRICT 8 BOWMAN PUMP STATION LOCATED AT 7TH AND BOWMAN IN EAST ST. LOUIS, ILLINOIS.  
  
THIS TRAILER WILL BE USED TO REPLACE A 1984 WISCONSIN BRAND TRAILER, MODEL NUMBER 70012.

**GENERAL PAINT NOTES:**

1. CLEANING AND PAINTING OF THE EXISTING STRUCTURAL STEEL SHALL BE AS SPECIFIED IN THE SPECIAL PROVISION FOR "CLEANING AND PAINTING EXISTING STEEL STRUCTURES". ALL EXISTING STEEL AS MARKED IN THE PLANS SHALL BE CLEANED PER NEAR WHITE BLAST CLEANING-SSPC-SP10. ALL EXISTING STEEL AS MARKED IN THE PLANS SHALL BE PAINTED ACCORDING TO THE REQUIREMENTS OF PAINT SYSTEM 3 - EM/EM/AC ALUMINUM EPOXY MASTIC FOR THE PRIMER AND INTERMEDIATE COATS AND WATERBORNE ACRYLIC FOR THE FINISH COAT. THE COLOR OF THE FINAL FINISH COAT FOR ALL STEEL SURFACES AS MARKED IN THE PLANS SHALL BE MUNSELL GLOSSY COLOR 5B 7/1 GRAY.
2. CLEANING AND PAINTING OF THE EXISTING DOOR FRAMES SHALL BE AS SPECIFIED IN THE SPECIAL PROVISION FOR "CLEANING AND PAINTING EXISTING STEEL STRUCTURES". EXISTING DOOR FRAME LEAD PAINT CLEANING RESIDUE SHALL BE CONTAINED AND DISPOSED OF AS REQUIRED BY THE SPECIAL PROVISION "CONTAINMENT AND DISPOSAL OF LEAD PAINT CLEANING RESIDUES". ALL EXISTING DOOR FRAMES SHALL BE CLEANED PER NEAR WHITE BLAST CLEANING-SSPC-SP10. ALL EXISTING DOOR FRAMES SHALL BE PAINTED ACCORDING TO THE REQUIREMENTS OF PAINT SYSTEM 3 - EM/EM/AC ALUMINUM EPOXY MASTIC FOR THE PRIMER AND INTERMEDIATE COATS AND WATERBORNE ACRYLIC FOR THE FINISH COAT. THE COLOR OF THE FINAL FINISH COAT SHALL BE MUNSELL GLOSSY COLOR 2.5YR 3/4 REDDISH BROWN.

**COMMITMENTS:**

NONE



USER NAME = Lin	DESIGNED - SSK	REVISED -
FILE NAME = \$FILEABBREV\$	DRAWN - RMH	REVISED -
PLOT SCALE = 20.0000' / in.	CHECKED - JRS	REVISED -
PLOT DATE = 2/6/2017	DATE - 01/2017	REVISED -

**STATE OF ILLINOIS  
DEPARTMENT OF TRANSPORTATION**

**GENERAL NOTES  
PUMP STATION IMPROVEMENTS**

SCALE: NONE SHEET 1 OF 1 SHEETS STA. TO STA.

F.A.P./F.A.I./F.A.U. RTE.	SECTION	COUNTY	TOTAL SHEETS	SHEET NO.
594/255/9166	580PS/60-TPS/33PS	MADISON/ST. CLAIR	8	2
CONTRACT NO. 76J38				
ILLINOIS FED. AID PROJECT				




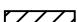


**SUMMARY OF QUANTITIES**

518 07 139

CODE NO.	ITEM	UNIT	TOTAL QUANTITY	CONSTRUCTION CODE		
				100 % STATE		
				0004 URBAN	MADISON	ST. CLAIR
67100100	MOBILIZATION	L SUM	1	1	0.6	0.4
70102634	TRAFFIC CONTROL AND PROTECTION, STANDARD 701611	L SUM	1	1	1	0
70102640	TRAFFIC CONTROL AND PROTECTION, STANDARD 701801	L SUM	1	1	1	0
70107004	PAVEMENT MARKING BLACKOUT TAPE, 4"	FOOT	1435	1435	1435	0
70300150	SHORT TERM PAVEMENT MARKING REMOVAL	SO FT	479	479	479	0
Z0018500	DRAINAGE STRUCTURES TO BE CLEANED	EACH	1	1	0	1
X0783300	PUMP STATION ELECTRICAL WORK	LSUM	1	1	0.7	0.3

7

**SYMBOLS**

-  ARROW BOARD
-  CHANNELIZER CONE
-  SIGN ON PORTABLE OR PERMANENT SUPPORT
-  WORK AREA
-  BARRICADE OR DRUM WITH FLASHING LIGHT
-  TYPE III BARRICADE WITH FLASHING LIGHTS

**NOTES:**

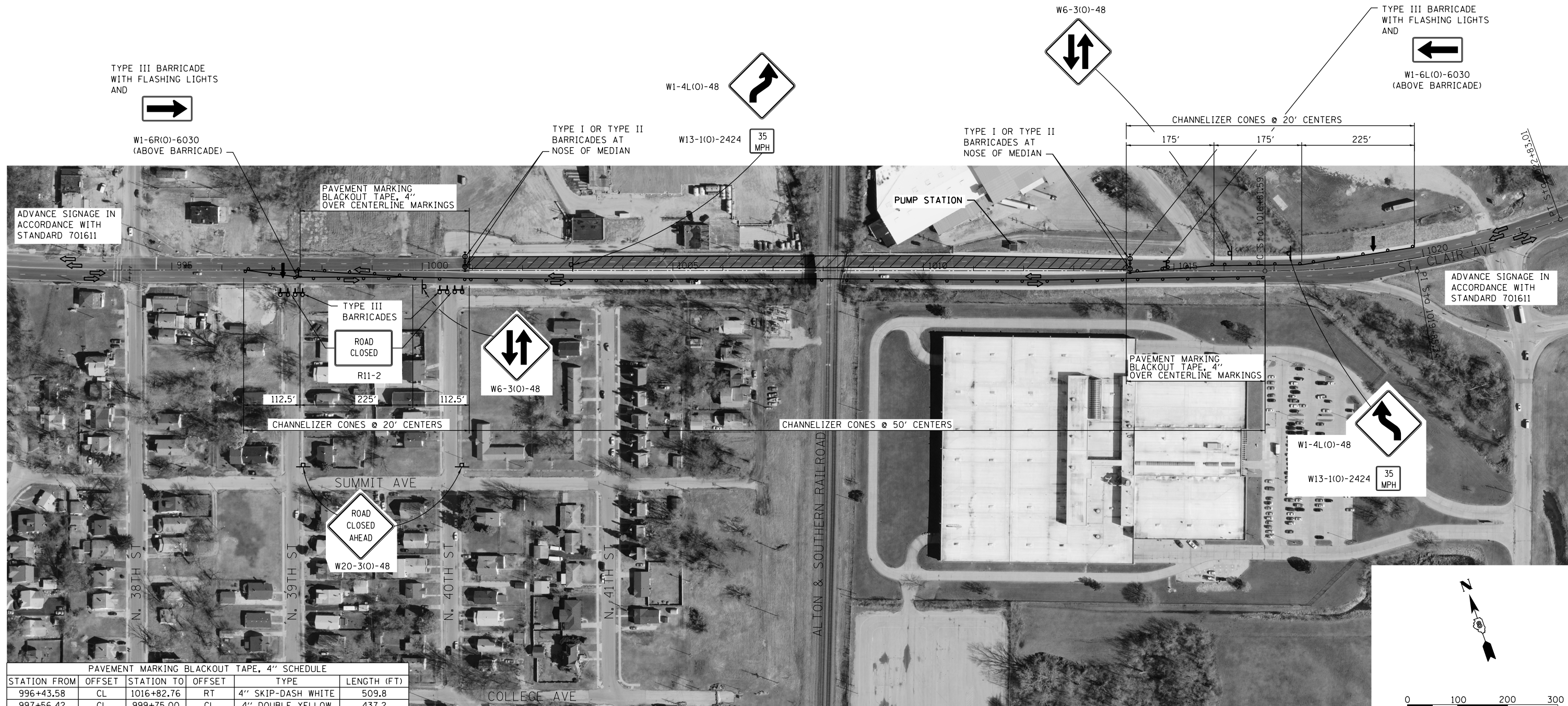
STATIONING BASED OFF OF EXISTING PLANS AND HAS NOT BEEN FIELD VERIFIED.

ALL VEHICULAR TRAFFIC CONTROL AND PROTECTION SHOWN SHALL BE PAID FOR AS "TRAFFIC CONTROL AND PROTECTION, STANDARD 701611".

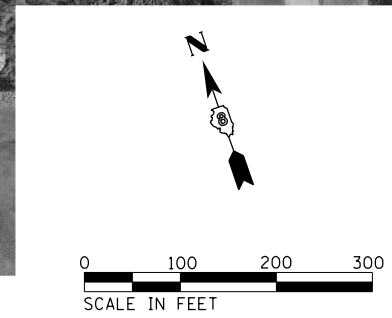
CLOSE PEDESTRIAN ACCESS TO THE NORTH SIDEWALK ACCORDING TO HIGHWAY STANDARD 701801.

IN THE EVENT OF DAMAGE TO THE EXISTING PAVEMENTS MARKINGS, THE DAMAGED PAVEMENT MARKINGS SHALL BE REPLACED BY THE CONTRACTOR AT NO ADDITIONAL COST.

EXIST. CURVE A1  
 PI STA. = 1022+59.24  
 $\Delta = 36^\circ 48' 01''$  (LT)  
 $D = 3^\circ 17' 58''$   
 $R = 1,736.48'$   
 $T = 577.66'$   
 $L = 1,115.32'$   
 $E = 95.56'$   
 $e = \text{-----}$   
 $T.R. = \text{-----}$   
 $S.E. \text{ RUN} = \text{-----}$   
 P.C. STA. = 1016+81.59  
 P.T. STA. = 1027+96.91



PAVEMENT MARKING BLACKOUT TAPE, 4" SCHEDULE					
STATION FROM	OFFSET	STATION TO	OFFSET	TYPE	LENGTH (FT)
996+43.58	CL	1016+82.76	RT	4" SKIP-DASH WHITE	509.8
997+56.42	CL	999+75.00	CL	4" DOUBLE YELLOW	437.2
1014+04.88	CL	1015+97.83	CL	4" DOUBLE YELLOW	385.9
1015+79.87	LT	1019+85.08	LT	4" SKIP-DASH WHITE	101.3
TOTAL					1,434.2
ROUNDED					1,435



**LE** LIN ENGINEERING, LTD.  
 Consulting Engineers  
 Springfield, Illinois

USER NAME = Lin  
 FILE NAME = \$FILE.ABBREV\$  
 PLOT SCALE = 200.0011' / in.  
 PLOT DATE = 2/6/2017

DESIGNED -  
 DRAWN -  
 CHECKED -  
 DATE - 01/2017

REVISED -  
 REVISED -  
 REVISED -  
 REVISED -

**STATE OF ILLINOIS  
 DEPARTMENT OF TRANSPORTATION**

**TRAFFIC CONTROL AND PROTECTION  
 42ND STREET PUMP STATION**

SCALE: 1"=100' SHEET 1 OF 1 SHEETS STA. TO STA.

F.A.P./F.A.I./F.A.U. RTE.	SECTION	COUNTY	TOTAL SHEETS	SHEET NO.
594/255/9166	580PS/60-TPS/33PS	MADISON/ST. CLAIR	8	4
CONTRACT NO. 76J38				

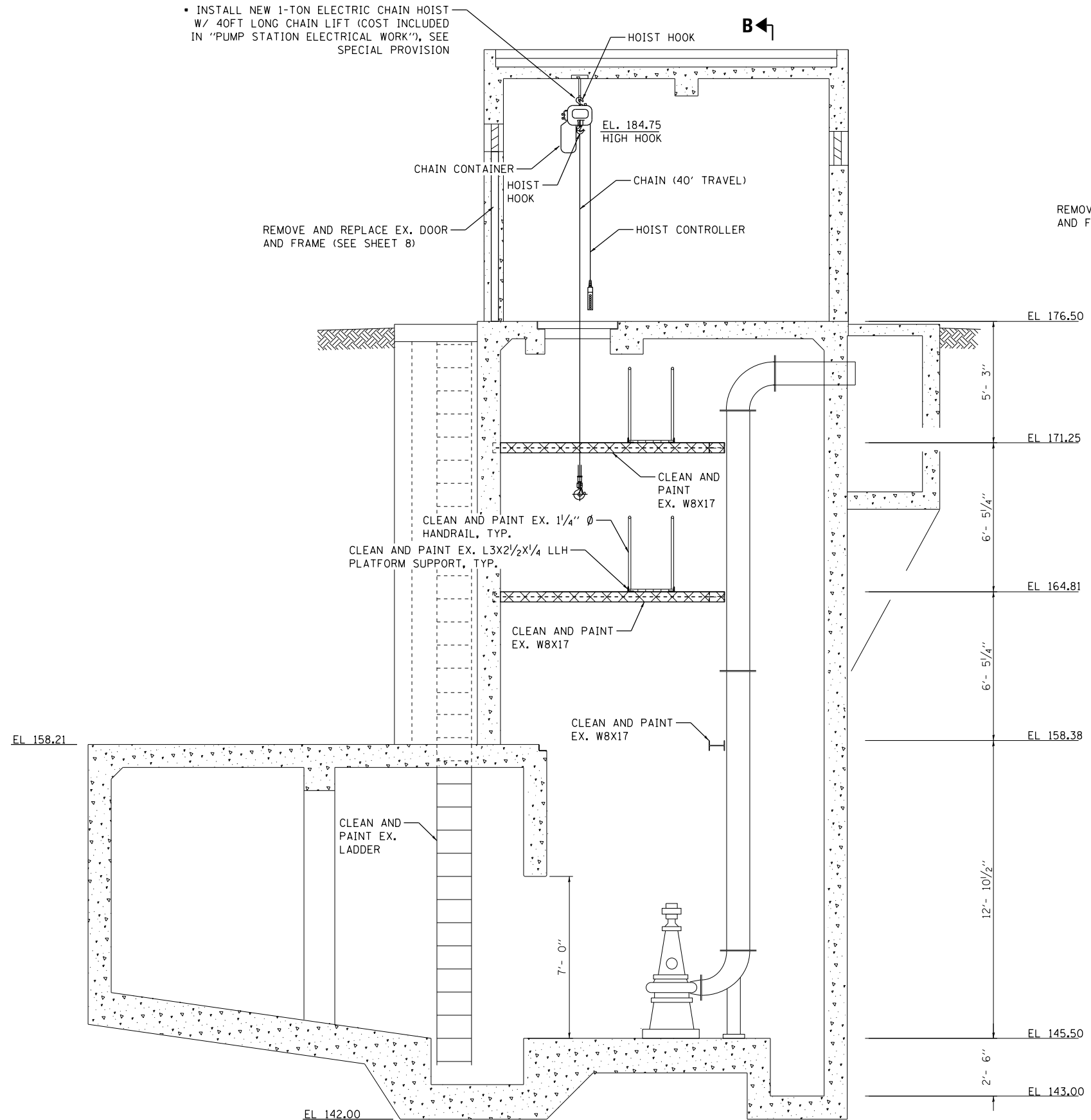
ILLINOIS FED. AID PROJECT



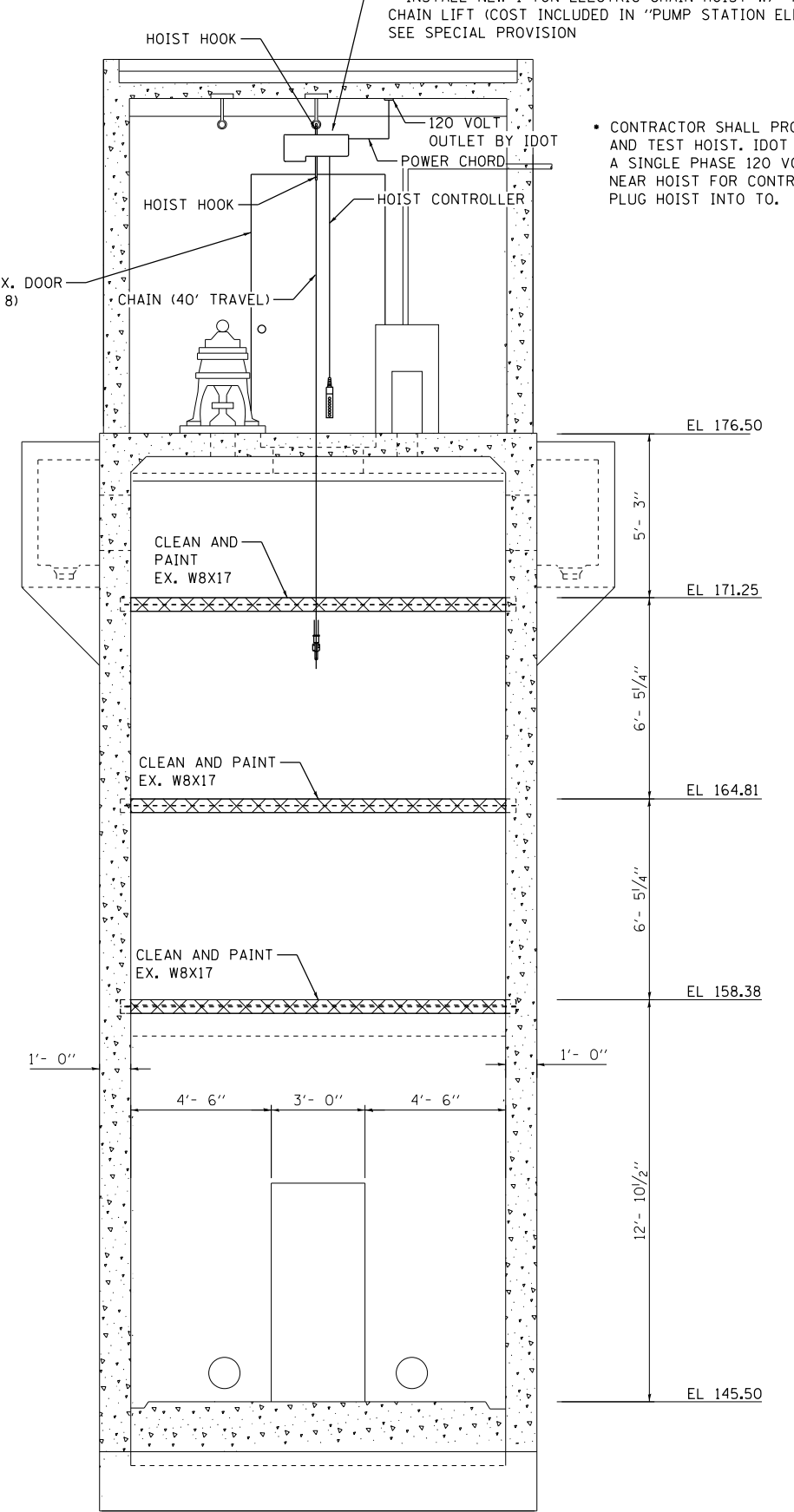
• INSTALL NEW 1-TON ELECTRIC CHAIN HOIST W/ 40FT LONG CHAIN LIFT (COST INCLUDED IN "PUMP STATION ELECTRICAL WORK"), SEE SPECIAL PROVISION

• INSTALL NEW 1-TON ELECTRIC CHAIN HOIST W/ 40FT LONG CHAIN LIFT (COST INCLUDED IN "PUMP STATION ELECTRICAL WORK"), SEE SPECIAL PROVISION

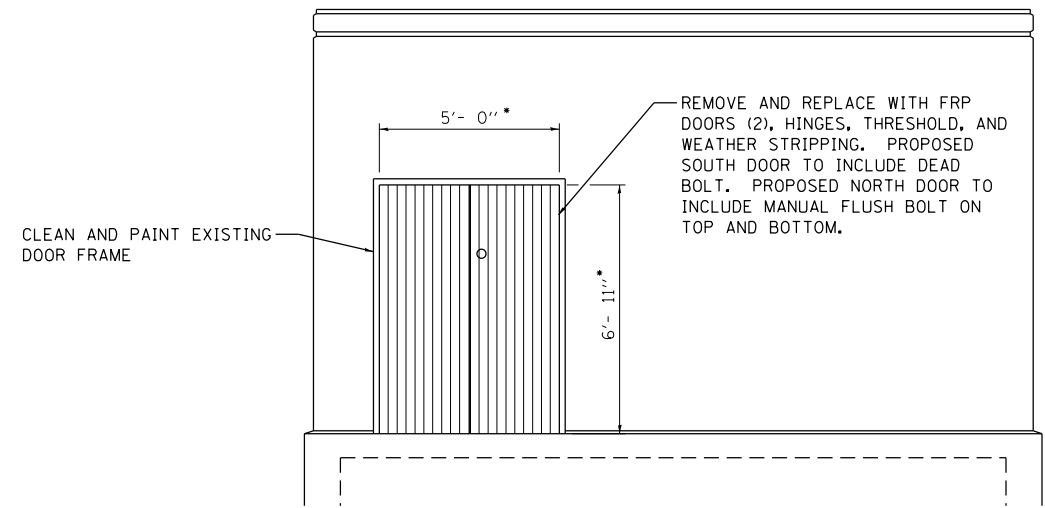
• CONTRACTOR SHALL PROVIDE, INSTALL, AND TEST HOIST. IDOT WILL PROVIDE A SINGLE PHASE 120 VOLT OUTLET NEAR HOIST FOR CONTRACTOR TO PLUG HOIST INTO TO.



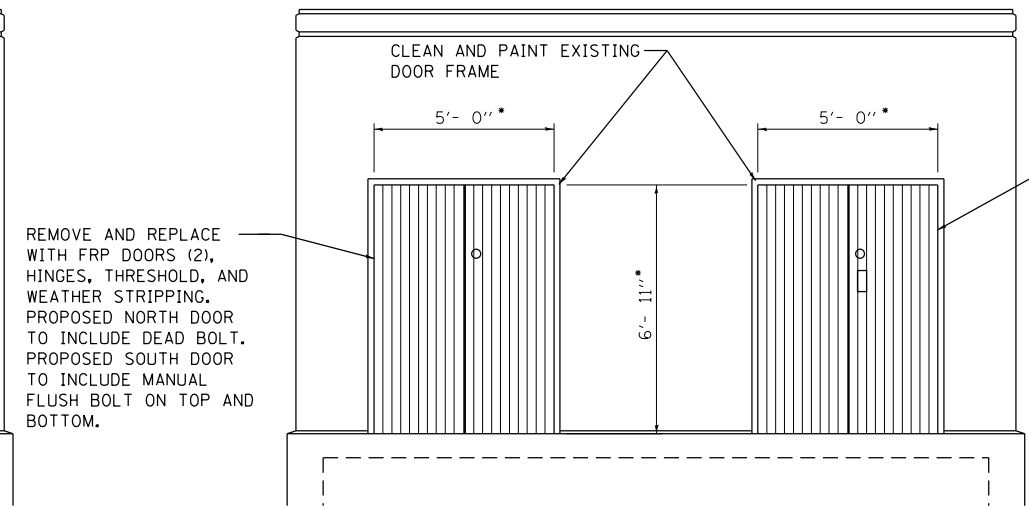
**SECTION A-A**  
SCALE: 3/8"=1'-0"



**SECTION B-B**  
SCALE: 3/8"=1'-0"



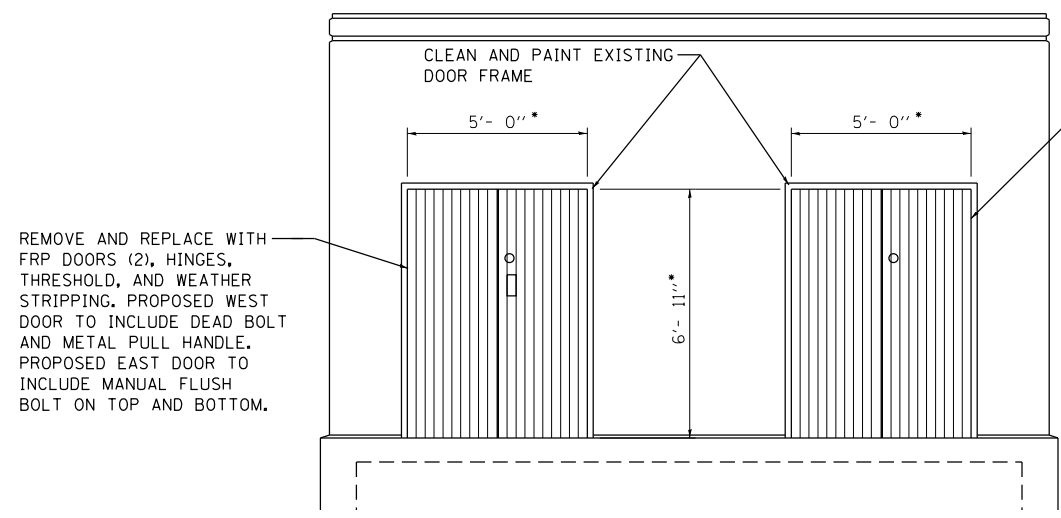
**WEST ELEVATION**  
**NEW DOORS COLLINSVILLE #1 PUMP STATION**  
 SCALE: 3/8"=1'-0"



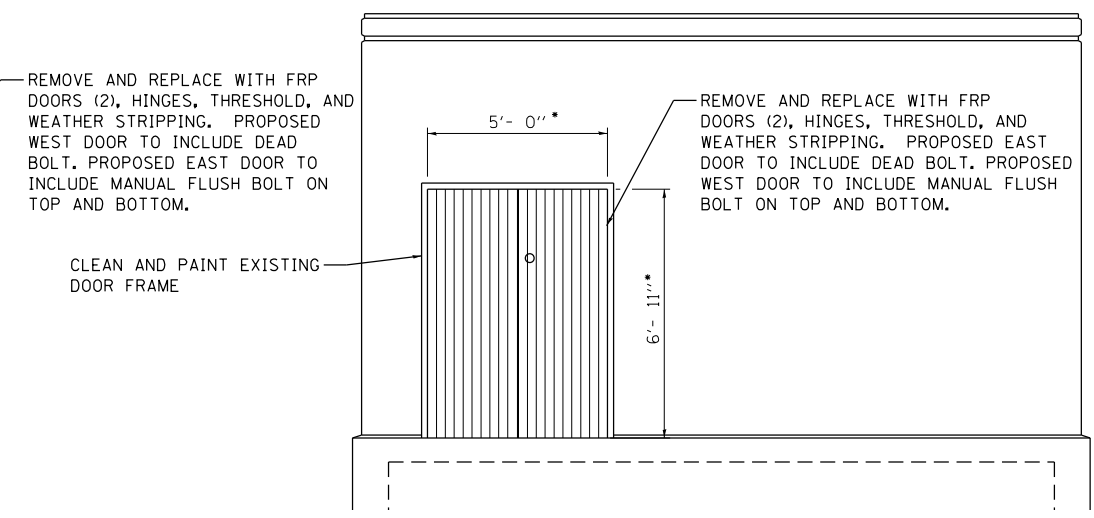
**EAST ELEVATION**  
**NEW DOORS COLLINSVILLE #1 PUMP STATION**  
 SCALE: 3/8"=1'-0"

REMOVE AND REPLACE WITH FRP DOORS (2), HINGES, THRESHOLD, AND WEATHER STRIPPING. PROPOSED NORTH DOOR TO INCLUDE DEAD BOLT AND METAL PULL HANDLE. PROPOSED SOUTH DOOR TO INCLUDE MANUAL FLUSH BOLT ON TOP AND BOTTOM.

- NOTES:
- 1) ALL COLLINSVILLE PUMP STATION (#1 AND #2) REPLACEMENT DEAD BOLTS TO BE KEYED THE SAME.
  - 2) ALL COLLINSVILLE PUMP STATION (#1 AND #2) REPLACEMENT DOORS TO BE COLORED THE SAME AS THE PAINTED FRAMES.
  - 3) EXISTING DOOR FRAMES SHALL BE CLEANED AND PAINTED AS REQUIRED BY THE SPECIAL PROVISION "CLEANING AND PAINTING EXISTING STEEL STRUCTURES."
  - 4) EXISTING DOOR FRAME LEAD PAINT CLEANING RESIDUE SHALL BE CONTAINED AND DISPOSED OF AS REQUIRED BY THE SPECIAL PROVISION "CONTAINMENT AND DISPOSAL OF LEAD PAINT CLEANING RESIDUES."
  - 5) FRP DOORS AND ASSOCIATED HARDWARE SHALL BE PROCURED AS REQUIRED BY THE SPECIAL PROVISIONS "FIBERGLASS DOORS" AND "DOOR HARDWARE" RESPECTIVELY.
  - 6) THE PRICE OF ALL CLEANING AND PAINTING EXISTING STEEL STRUCTURES, LEAD PAINT CONTAINMENT AND DISPOSAL, FRP DOORS, AND DOOR HARDWARE SHALL BE INCLUDED IN "PUMP STATION ELECTRICAL WORK."



**NORTH ELEVATION**  
**NEW DOORS COLLINSVILLE #2 PUMP STATION**  
 SCALE: 3/8"=1'-0"



**SOUTH ELEVATION**  
**NEW DOORS COLLINSVILLE #2 PUMP STATION**  
 SCALE: 3/8"=1'-0"

• DIMENSIONS REFER TO DOOR SIZE WITHOUT FRAME.

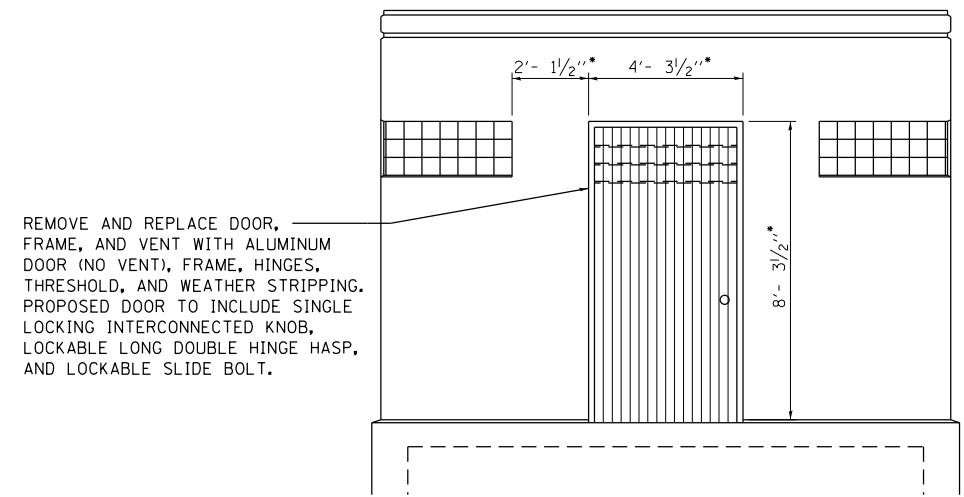


USER NAME = Lin	DESIGNED - SSK	REVISED -
FILE NAME = \$FILEABBREV\$	DRAWN - RMH	REVISED -
PLOT SCALE = 0.2' = 1" / in.	CHECKED - JRS	REVISED -
PLOT DATE = 2/6/2017	DATE - 01/2017	REVISED -

**STATE OF ILLINOIS**  
**DEPARTMENT OF TRANSPORTATION**

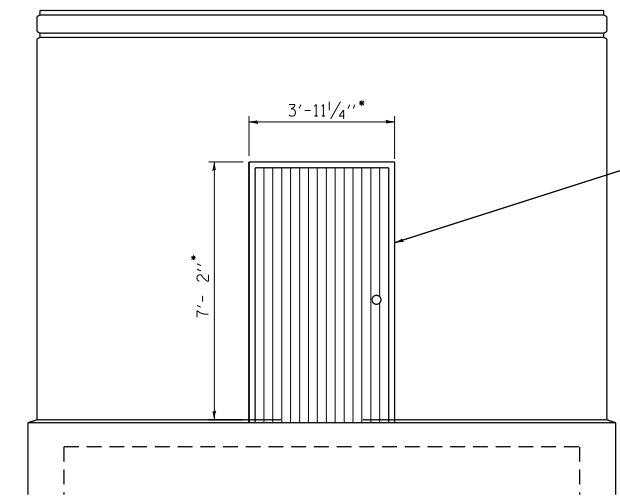
<b>DOOR REPLACEMENT</b>			
<b>PUMP STATION IMPROVEMENTS</b>			
SCALE:	SHEET 3 OF 4 SHEETS	STA.	TO STA.

F.A.P./F.A.I./F.A.U. RTE.	SECTION	COUNTY	TOTAL SHEETS	SHEET NO.
594/255/9166	580PS/60-TPS/33PS	MADISON/ST. CLAIR	8	7
CONTRACT NO. 76J38				
ILLINOIS FED. AID PROJECT				



REMOVE AND REPLACE DOOR, FRAME, AND VENT WITH ALUMINUM DOOR (NO VENT), FRAME, HINGES, THRESHOLD, AND WEATHER STRIPPING. PROPOSED DOOR TO INCLUDE SINGLE LOCKING INTERCONNECTED KNOB, LOCKABLE LONG DOUBLE HINGE HASP, AND LOCKABLE SLIDE BOLT.

**WEST ELEVATION**  
**NEW DOOR 42ND STREET PUMP STATION**  
 SCALE: 3/8"=1'-0"



REMOVE AND REPLACE DOOR, FRAME, AND VENT WITH ALUMINUM DOOR (NO VENT), FRAME, HINGES, THRESHOLD, AND WEATHER STRIPPING. PROPOSED DOOR TO INCLUDE SINGLE LOCKING INTERCONNECTED KNOB, LOCKABLE LONG DOUBLE HINGE HASP, AND LOCKABLE SLIDE BOLT.

**WEST ELEVATION**  
**NEW DOOR McCAMBRIDGE PUMP STATION**  
 SCALE: 3/8"=1'-0"

• DIMENSIONS REFER TO CONCRETE OPENING.

NOTES:

- 1) ALUMINUM DOORS, FRAMES, AND ASSOCIATED HARDWARE SHALL BE PROCURED AS REQUIRED BY THE SPECIAL PROVISIONS "ALUMINUM DOORS AND FRAMES" AND "DOOR HARDWARE" RESPECTIVELY.
- 2) THE PRICE OF ALL ALUMINUM DOORS, FRAMES, AND HARDWARE SHALL BE INCLUDED IN "PUMP STATION ELECTRICAL WORK."

USER NAME = Lin	DESIGNED - SSK	REVISED -
FILE NAME = \$FILEABBREV\$	DRAWN - RMH	REVISED -
PLOT SCALE = 3/8" = 1'-0"	CHECKED - JRS	REVISED -
PLOT DATE = 2/6/2017	DATE - 01/2017	REVISED -