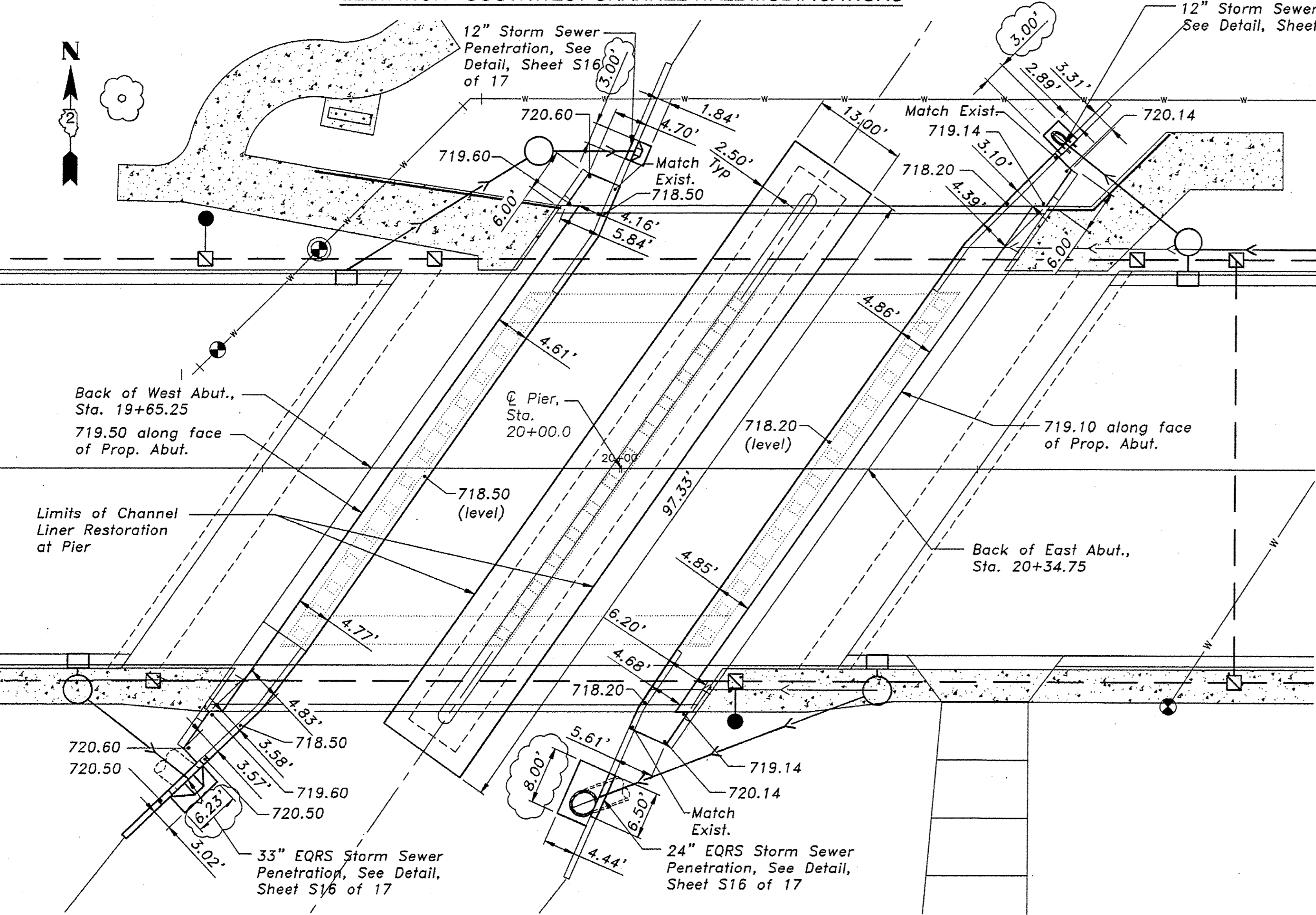
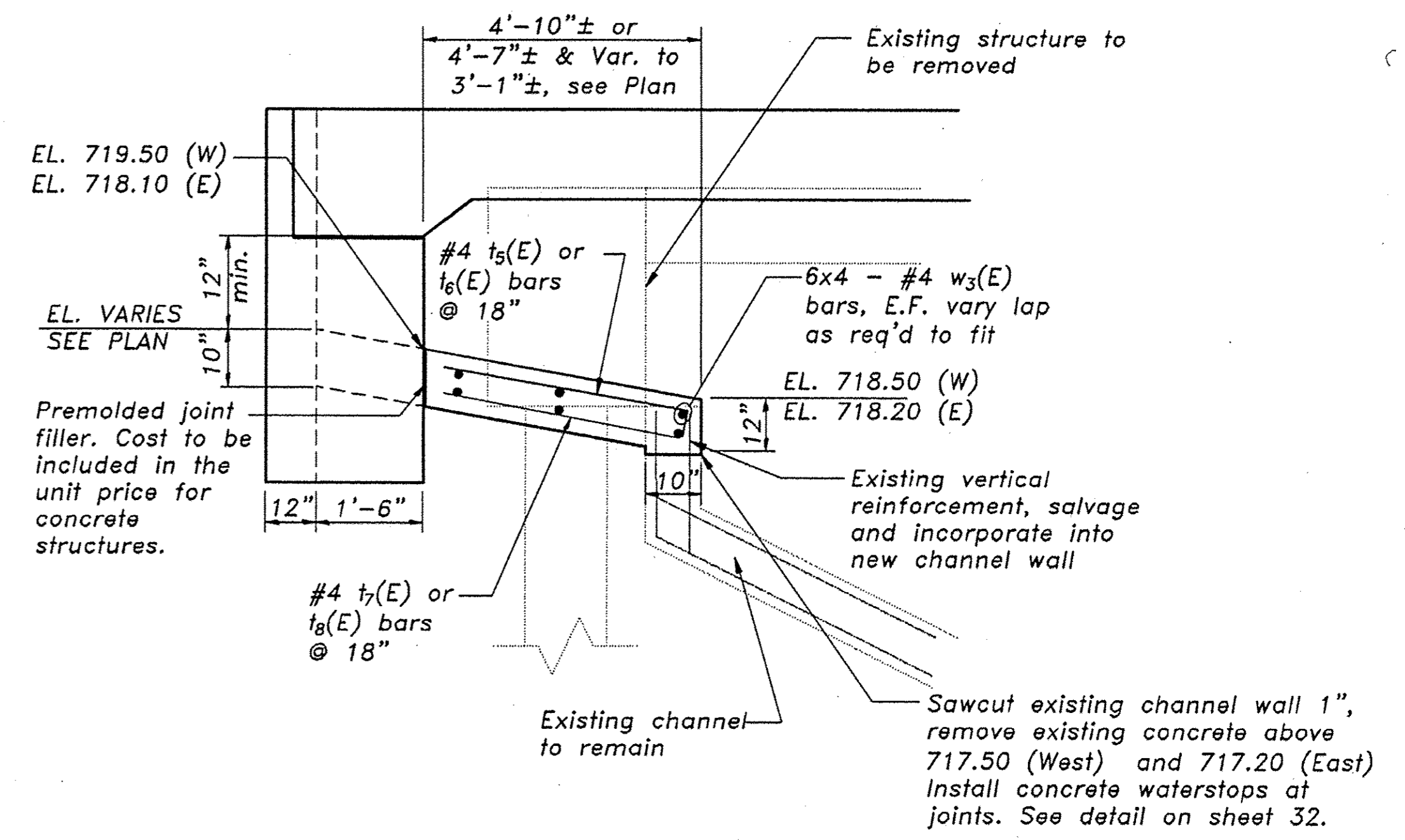


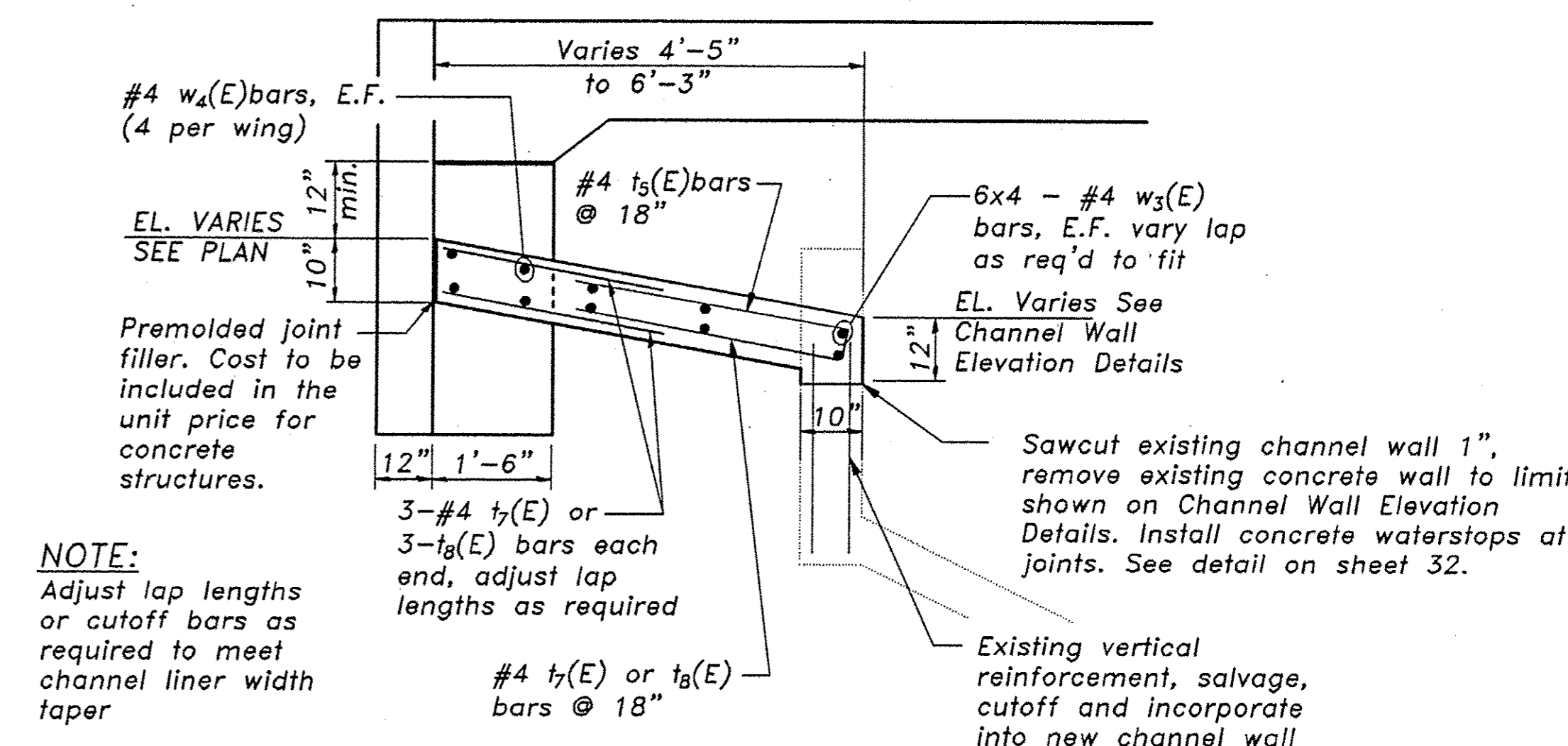
ELEVATION - SOUTHWEST CHANNEL WALL MODIFICATIONS



PLAN - CHANNEL LINER MODIFICATIONS



TYPICAL SECTION - SLOPE PAVING @ ABUTMENT



TYPICAL SECTION - SLOPE PAVING @ WINGWALL

- STORM SEWER PIPE PENETRATIONS SUGGESTED CONSTRUCTION SEQUENCE:**
- 1) Remove existing concrete as shown to accommodate new storm sewer pipe, preserving existing reinforcement bars (4 locations).
 - 2) Cut existing reinforcement bars as required to place new storm sewer pipe.
 - 3) Place new storm sewer pipe and grout into place.
 - 4) Replace all cut bars with new steel and tie to remaining existing bars.
 - 5) Cast new concrete around new storm sewer pipe.
 - 6) Grout full existing penetrations in channel from storm sewer being abandoned.