

FOR INDEX OF SHEETS, SEE SHEET NO. 2

STATE OF ILLINOIS 04-28-2023 LETTING ITEM 165

F.A.I. RTE.	SECTION	COUNTY	TOTAL SHEETS	SHEET NO.
55	*	SANGAMON	28	1
		ILLINOIS	CONTRACT NO. 72A75	
* = (84-2-2)RS-2,Q; (79Z)RS-6				

DEPARTMENT OF TRANSPORTATION

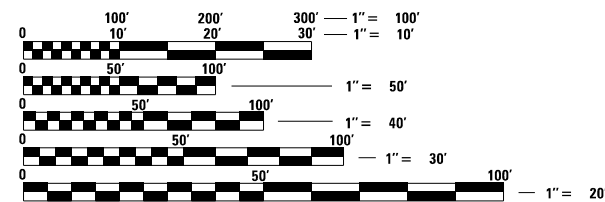
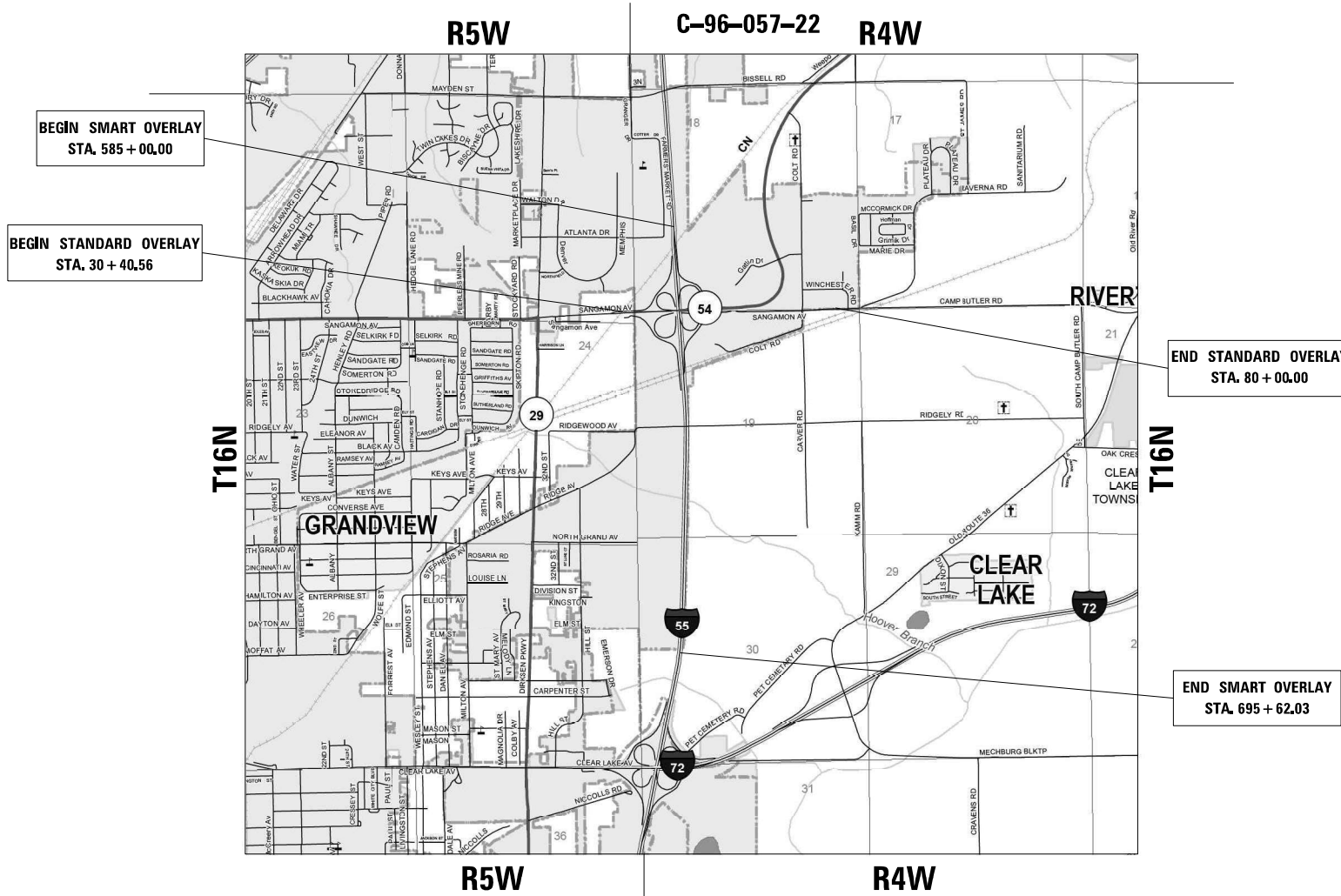
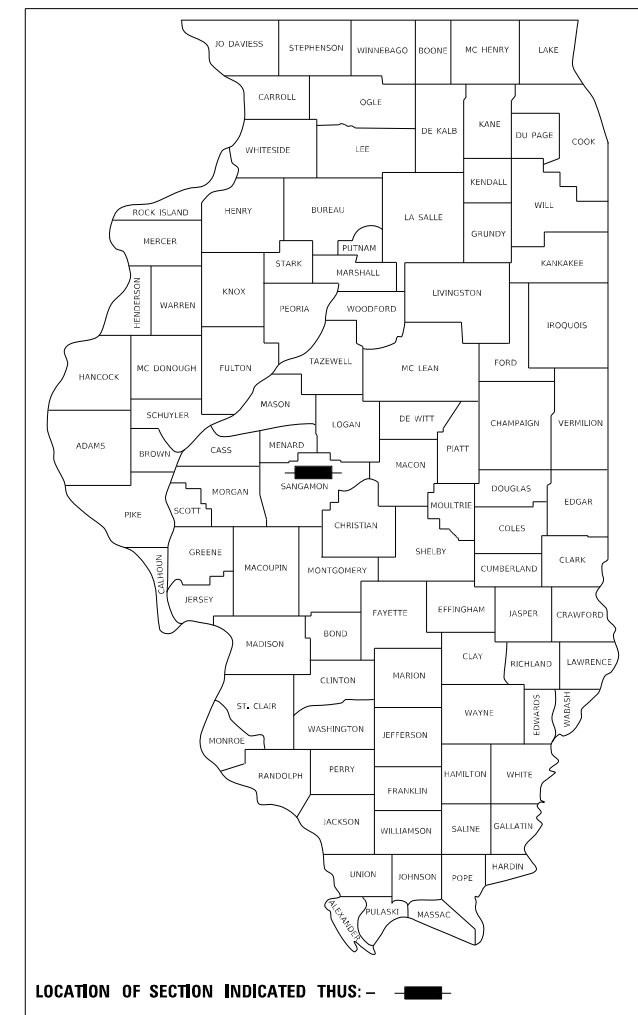
PROPOSED HIGHWAY PLANS

VARIOUS ROUTES (I-55 & IL 54)
SECTION (84-2-2)RS-2,Q; (79Z)RS-6
PROJECT NHPP-AD82(355)
INTERSTATE SMART OVERLAY
SANGAMON COUNTY

I-55
ADT: 37,800 (2021)
DESIGN SPEED: 70 MPH
POSTED SPEED: 65 MPH
CRS: NB- 6.0 (2021) SB- 6.1 (2021)
PV= 72.35% SU= 3.04% MU= 24.60%

SANGAMON AVENUE
ADT: WB- 17,700 (2021) EB- 6,650 (2021)
DESIGN SPEED: 50 MPH
POSTED SPEED: 45 MPH
CRS: WB- 5.5 (2021) EB- 4.9 (2021)
WB: PV= 93.50% SU= 3.95% MU= 2.54%
EB: PV= 91.13% SU= 6.02% MU= 2.86%

D-96-049-22



FULL SIZE PLANS HAVE BEEN PREPARED USING STANDARD ENGINEERING SCALES. REDUCED SIZED PLANS WILL NOT CONFORM TO STANDARD SCALES. IN MAKING MEASUREMENTS ON REDUCED PLANS, THE ABOVE SCALES MAY BE USED.

J.U.L.I.E.
JOINT UTILITY LOCATION INFORMATION FOR EXCAVATORS
1-800-892-0123
OR 811

PROJECT ENGINEER: JAY EDWARDS (217-785-0596)
PROJECT MANAGER: ROBERT MILES (217-524-8911)

CONTRACT NO. 72A75

I-55: GROSS LENGTH = 11,062.03 FT. = 2.095 MILE
NET LENGTH = 11,062.03 FT. = 2.095 MILE
SANGAMON AVE: GROSS LENGTH = 4,974.18 FT. = 0.942 MILE
NET LENGTH = 4,974.18 FT. = 0.942 MILE

STATE OF ILLINOIS
DEPARTMENT OF TRANSPORTATION

SUBMITTED December 22, 2022

Jay P. Myers REGIONAL ENGINEER
February 3, 2023

Scott A. Etkin ENGINEER OF DESIGN AND ENVIRONMENT
February 3, 2023

Stephen McSwain DIRECTOR OF HIGHWAYS PROJECT IMPLEMENTATION

PRINTED BY THE AUTHORITY OF THE STATE OF ILLINOIS

INDEX OF SHEETS

- 1 COVER SHEET
- 2 INDEX OF SHEETS, LIST OF STANDARDS, GENERAL NOTES AND MIXTURE REQUIREMENTS
- 3-6 SUMMARY OF QUANTITIES
- 7-9 SCHEDULE OF QUANTITIES
- 10-12 TYPICAL SECTION
- 13-19 PLAN SHEETS
- 20-25 PAVEMENT MARKING SHEETS
- 26-28 DETAILS

GENERAL NOTES

1. THE DISTRICT 6 BUREAU OF OPERATIONS (PH 217-785-5306) SHALL BE NOTIFIED AT LEAST 14 DAYS PRIOR TO PLACEMENT OF FINAL PAVEMENT MARKINGS.
2. THE IDOT DISTRICT 6 BUREAU OF OPERATIONS (PH 217-785-5306) SHALL BE NOTIFIED AT LEAST 21 DAYS PRIOR TO THE IMPLEMENTATION ANY TRAFFIC CONTROL.

THE FOLLOWING RATES OF APPLICATION HAVE BEEN USED TO CALCULATE THE PLAN QUANTITIES:

BITUMINOUS MATERIALS (TACK COAT)	0.05 LB/SQ. FT. (EXIST HMA, MILLED SURF.)
BITUMINOUS MATERIALS (TACK COAT)	0.025 LB/SQ. FT. (BETWEEN HMA LIFTS)
HMA SURFACE/BINDER	0.056 TON/SQ. YD.*IN
BITUMINOUS MATERIALS (FOG SEAL)	0.08 LB/SQ. FT. (FOR SHOULDERS)

LIST OF STANDARDS

000001-08	001001-02
701101-05	001006
701106-02	420001-10
701601-09	420701-03
701701-10	442101-09
701400-11	
701401-13	
701411-09	
701422-10	
701426-09	
701427-05	
701428-01	
701451-05	
701456-05	
701901-08	
780001-05	
781001-04	

MIXTURE REQUIREMENTS

Location:	I-55 Mainline	IL 54 Mainline		Various
Mixture Use:	Mainline HMA Surface	Mainline HMA Surface	Mainline Binder	Incidental HMA & Shoulders
PG:	SBS PG 76-28	SBS PG 70-28	SBS PG 70-28	PG 64-22
Design Air Voids:	4.0% @ N90	4.0% @ N70	4.0% @ N70	4.0% @ N50
Mix Composition:	IL-9.5	IL-9.5	IL-9.5FG	IL-9.5
Friction Aggregate:	Mix "E"	Mix "D"	N/A	Mix "C"
Mix Weight:	112 lb/sy*in	112 lb/sy*in	112 lb/sy*in	112 lb/sy*in
Quality Management:	PPF	QCP	QCP	QC/QA
Sublot Size:	1,000 tons	1,000 tons	1,000 tons	N/A
MTD:	Yes	Yes	No	No

USER NAME = Robert.Miles DESIGNED - DRAWN - CHECKED - DATE -	REVISED - REVISED - REVISED - REVISED -	STATE OF ILLINOIS DEPARTMENT OF TRANSPORTATION	INDEX OF SHEETS, LIST OF STANDARDS, GENERAL NOTES AND MIXTURE REQUIREMENTS	F.A.R. RTE. 95	SECTION *	COUNTY SANGAMON	TOTAL SHEETS 28	SHEET NO. 2
SCALE: N/A SHEET 1 OF 1 SHEETS STA. N/A TO STA. N/A				ILLINOIS FED. AID PROJECT * = (84-2-2)RS-2.Q; (79Z)RS-6				

**STATE OF ILLINOIS
DEPARTMENT OF TRANSPORTATION
DIVISION OF HIGHWAYS
DISTRICT 6**

EXAMINED December, 14 20 22

[Signature]
ENGINEER OF OPERATIONS

EXAMINED December, 16 20 22

[Signature]
ENGINEER OF PROJECT IMPLEMENTATION

EXAMINED December, 14 20 22

[Signature]
ENGINEER OF PROGRAM DEVELOPMENT

REV. - MS

MODEL: Default
 FILE: I:\M&E_Plan\Ildoc-pw_bentley.com\PROJECTS\DOT Offices\District 6\Projects\0672A75\0672A75-01\0672A75-01.dgn

				I - 55 & RAMPS	SANGAMON AVENUE
				6 - 01464 - 0000	6 - 01464 - 0100
				90% FEDERAL 10% STATE	80% FEDERAL 20% STATE
				ROADWAY	ROADWAY
CODE			TOTAL	0005	0005
				URBAN	URBAN
NO.	ITEM	UNIT	0		
40600290	BITUMINOUS MATERIALS (TACK COAT)	POUND	57743	33741	24002
40600370	LONGITUDINAL JOINT SEALANT	FOOT	10767	0	10767
40600372	LONGITUDINAL JOINT SEALANT, HALF-WIDTH	FOOT	43903	43903	0
40600982	HOT-MIX ASPHALT SURFACE REMOVAL - BUTT JOINT	SQ YD	369	141	228
40603218	POLYMERIZED HOT-MIX ASPHALT BINDER COURSE, IL-9.5FG, N70	TON	2473	0	2473
40604162	POLYMERIZED HOT-MIX ASPHALT SURFACE COURSE, IL-9.5, MIX "D", N70	TON	2999	0	2999
40604174	POLYMERIZED HOT-MIX ASPHALT SURFACE COURSE, IL-9.5, MIX "E", N90	TON	6281	6281	0
44000155	HOT-MIX ASPHALT SURFACE REMOVAL, 1 1/2"	SQ YD	74769	74769	0
44000159	HOT-MIX ASPHALT SURFACE REMOVAL, 2 1/2"	SQ YD	35330	0	35330
44200050	WELDED WIRE REINFORCEMENT	SQ YD	193	32	161
44201043	CLASS B PATCHES, TYPE II, 16 INCH	SQ YD	53	41	12
44201047	CLASS B PATCHES, TYPE III, 16 INCH	SQ YD	84	32	52
44201048	CLASS B PATCHES, TYPE IV, 16 INCH	SQ YD	109	0	109
44201299	DOWEL BARS 1 1/2"	EACH	340	146	194

REV. - MS

MODEL: Default
 FILE NAME: p:\blider-zw-bentley.com-PWIDOT\Documents\DOT Offices\District 6\Projects\0672A\35\CAD\data_35\0\CAD\sheet\0672A\35-rl-500.dgn

USER NAME = Robert.Miles	DESIGNED -	REVISED -	STATE OF ILLINOIS DEPARTMENT OF TRANSPORTATION	SUMMARY OF QUANTITIES				F.A.I. RTE.	SECTION	COUNTY	TOTAL SHEETS	SHEET NO.
DRAWN -	REVISED -	55						*	SANGAMON	28	3	
PLOT SCALE = 2.0000' / in.	CHECKED -	REVISED -		SCALE: N/A SHEET 1 OF 4 SHEETS STA. N/A TO STA. N/A				CONTRACT NO. 72A75				
PLOT DATE = 12/21/2022	DATE -	REVISED -		ILLINOIS FED. AID PROJECT * = (84-2-2)RS-2.Q; (79Z)RS-6								

				I - 55 & RAMPS	SANGAMON AVENUE
				6 - 01464 - 0000	6 - 01464 - 0100
				90% FEDERAL 10% STATE	80% FEDERAL 20% STATE
				ROADWAY	ROADWAY
				0005	0005
CODE			TOTAL	URBAN	URBAN
44213200	SAW CUTS	FOOT	860	349	511
44213204	TIE BARS 3/4"	EACH	18	0	18
67000400	ENGINEER'S FIELD OFFICE, TYPE A	CAL MO	6	3	3
67100100	MOBILIZATION	L SUM	1	0.5	0.5
70100320	TRAFFIC CONTROL AND PROTECTION, STANDARD 701422	L SUM	1	0	1
70100420	TRAFFIC CONTROL AND PROTECTION, STANDARD 701411	EACH	8	8	0
70100800	TRAFFIC CONTROL AND PROTECTION, STANDARD 701401	L SUM	1	1	0
70100820	TRAFFIC CONTROL AND PROTECTION, STANDARD 701451	L SUM	1	1	0
70100825	TRAFFIC CONTROL AND PROTECTION, STANDARD 701456	L SUM	1	1	0
70102630	TRAFFIC CONTROL AND PROTECTION, STANDARD 701601	L SUM	1	0	1
70102635	TRAFFIC CONTROL AND PROTECTION, STANDARD 701701	L SUM	1	0	1
70107025	CHANGEABLE MESSAGE SIGN	CAL DA	500	200	300
70200100	NIGHTTIME WORK ZONE LIGHTING	L SUM	1	0.5	0.5
70300100	SHORT TERM PAVEMENT MARKING	FOOT	13380	6948	6432

REV. - MS

MODEL: Default
 FILE NAME: p:\blider-2\benlley.com\PHWDOT\Documents\DOT Offices\District 6\Projects\0672A\35\CAD\data_35\0\CAD\sheet0672A_35.rvt-500.dgn

USER NAME = Robert.Miles	DESIGNED -	REVISED -
DRAWN -	REVISOR -	
PLOT SCALE = 2.0000' / in.	CHECKED -	REVISED -
PLOT DATE = 12/21/2022	DATE -	REVISED -

**STATE OF ILLINOIS
DEPARTMENT OF TRANSPORTATION**

SUMMARY OF QUANTITIES

SCALE: N/A SHEET 2 OF 4 SHEETS STA. N/A TO STA. N/A

F.A.I. RTE.	SECTION	COUNTY	TOTAL SHEETS	SHEET NO.
55	*	SANGAMON	28	4
CONTRACT NO. 72A75				

ILLINOIS FED. AID PROJECT
* = (84-2-2)RS-2.Q; (79Z)RS-6

				I - 55 & RAMPS	SANGAMON AVENUE
				6 - 01464 - 0000	6 - 01464 - 0100
				90% FEDERAL 10% STATE	80% FEDERAL 20% STATE
				ROADWAY	ROADWAY
				0005	0005
				URBAN	URBAN
CODE			TOTAL		
70300150	SHORT TERM PAVEMENT MARKING REMOVAL	SQ FT	6895	4044	2851
* 78004200	PREFORMED PLASTIC PAVEMENT MARKING, TYPE B - INLAID - LETTERS AND SYMBOLS	SQ FT	128	0	128
* 78004220	PREFORMED PLASTIC PAVEMENT MARKING, TYPE B - INLAID - LINE 5"	FOOT	7904	5487	2417
* 78004240	PREFORMED PLASTIC PAVEMENT MARKING, TYPE B - INLAID - LINE 8"	FOOT	7089	3740	3349
* 78004250	PREFORMED PLASTIC PAVEMENT MARKING, TYPE B - INLAID - LINE 12"	FOOT	531	256	275
* 78004280	PREFORMED PLASTIC PAVEMENT MARKING, TYPE B - INLAID - LINE 24"	FOOT	154	0	154
* 78009005	MODIFIED URETHANE PAVEMENT MARKING - LINE 5"	FOOT	89080	63838	25242
* 78009006	MODIFIED URETHANE PAVEMENT MARKING - LINE 6"	FOOT	307	0	307
* 78009008	MODIFIED URETHANE PAVEMENT MARKING - LINE 8"	FOOT	624	624	0
* 78009012	MODIFIED URETHANE PAVEMENT MARKING - LINE 12"	FOOT	900	0	900
* 78011030	GROOVING FOR RECESSED PAVEMENT MARKING 6"	FOOT	83244	58002	25242
* 78011035	GROOVING FOR RECESSED PAVEMENT MARKING 7"	FOOT	307	0	307
* 78011065	GROOVING FOR RECESSED PAVEMENT MARKING 13"	FOOT	900	0	900

* SPECIALTY ITEM

REV. - MS

MODEL: Default
 FILE NAME: p:\blider-zw-bentley.com\PROJECTS\DOT Offices\District 6\Projects\0672A\35-CADD\data_35\06CADD\sheet0672A_35.rvt-500.dgn

USER NAME = Robert.Miles	DESIGNED -	REVISED -	STATE OF ILLINOIS DEPARTMENT OF TRANSPORTATION		SUMMARY OF QUANTITIES				F.A.I. RTE.	SECTION	COUNTY	TOTAL SHEETS	SHEET NO.
DRAWN -	REVISED -	55							*	SANGAMON	28	5	
PLOT SCALE = 2.0000' / in.	CHECKED -	REVISED -			CONTRACT NO. 72A75								
PLOT DATE = 12/21/2022	DATE -	REVISED -			SCALE: N/A	SHEET 3	OF 4	SHEETS	STA. N/A	TO STA. N/A	ILLINOIS FED. AID PROJECT	* = (84-2-2)RS-2.Q; (79Z)RS-6	

				I - 55 & RAMPS	SANGAMON AVENUE
				6 - 01464 - 0000	6 - 01464 - 0100
				90% FEDERAL 10% STATE	80% FEDERAL 20% STATE
				ROADWAY	ROADWAY
CODE			TOTAL	0005	0005
				URBAN	URBAN
* 78100100	RAISED REFLECTIVE PAVEMENT MARKER	EACH	1256	936	320
78300200	RAISED REFLECTIVE PAVEMENT MARKER REMOVAL	EACH	1256	936	320
X0300010	BITUMINOUS MATERIALS (FOG SEAL)	POUND	43678	34117	9561
∅ Z0076600	TRAINEES	HOUR	2000	2000	
X6670201	OUTLET MARKER	EACH	79	79	0
∅ Z0076604	TRAINEES TRAINING PROGRAM GRADUATE	HOUR	2000	2000	
Z0034105	MATERIAL TRANSFER DEVICE	TON	9280	6281	2999

* SPECIALTY ITEM

∅ 0042

REV. - MS

MODEL: Default
 FILE: MainE - pva \\uldr-2w.bentley.com:PHWDOT\Documents\DOT Offices\District 6\Projects\0672A\35\CAD\data_35\0\CAD\sheet\0672A_35.rvt-500.dgn

USER NAME = Robert.Miles	DESIGNED -	REVISED -	STATE OF ILLINOIS DEPARTMENT OF TRANSPORTATION	SUMMARY OF QUANTITIES				F.A.I. RTE.	SECTION	COUNTY	TOTAL SHEETS	SHEET NO.
DRAWN -	REVISIED -	55						*	SANGAMON	28	6	
PLOT SCALE = 2.0000 ' / in.	CHECKED -	REVISIED -		SCALE: N/A SHEET 4 OF 4 SHEETS STA. N/A TO STA. N/A				CONTRACT NO. 72A75				
PLOT DATE = 12/21/2022	DATE -	REVISIED -		ILLINOIS FED. AID PROJECT								

PAVING SCHEDULE						40600290	40604174	40603218	40604162	44000155	44000159	Z0034105	NOTES
LOCATION	DIRECTION	ALIGNMENT	SQUARE FOOTAGE	BITUMINOUS MATERIALS (TACK COAT) (POUND)	POLYMERIZED HOT-MIX ASPHALT SURFACE COURSE, IL-9.5, MIX "E", N90 (TON)	POLYMERIZED HMA BINDER COURSE, IL-9.5FG, N70 (TON)	POLYMERIZED HOT-MIX ASPHALT SURFACE COURSE, IL-9.5, MIX "D", N70 (TON)	HMA SURFACE REM 1 1/2" (SQ YD)	HMA SURFACE REM 2 1/2" (SQ YD)	MATERIAL TRANSFER DEVICE (TON)			
FAI 55 (INTERSTATE 55)													
585+00.00	TO	590+40.00	NB	I-55	14357.9	717.9	134.0			1595.3		134.0	
585+00.00	TO	591+37.00	SB	I-55	14962.0	748.1	139.6			1662.4		139.6	
596+52.00	TO	607+00.00	SB	I-55	27100.6	1355.0	252.9			3011.2		252.9	INCLUDES RAMP 3 & 4 GORE AREAS
597+02.00	TO	607+00.00	NB	I-55	27747.0	1387.4	259.0			3083.0		259.0	INCLUDES RAMP 5 & 6 GORE AREAS
610+99.71	TO	695+62.03	NB	I-55	203619.5	10181.0	1900.4			22624.4		1900.4	INCLUDES RAMP 7 & 8 GORE AREAS
610+99.71	TO	695+62.03	SB	I-55	206107.5	10305.4	1923.7			22900.8		1923.7	INCLUDES RAMP 1 & 2 GORE AREAS
				SUBTOTAL	24695	4610				54877		4610	
FAI 55 (INTERSTATE 55) - SANGAMON AVENUE RAMPS													
4+45.00	TO	30+35.82	SB	RAMP 1	36493.2	1824.7	340.6			4054.8		340.6	
1+77.16	TO	15+41.70	EB	RAMP 2	21379.3	1069.0	199.5			2375.5		199.5	
3+47.77	TO	18+02.35	WB	RAMP 3	22461.9	1123.1	209.6			2495.8		209.6	
3+65.00	TO	12+22.19	SB	RAMP 4	14044.9	702.2	131.1			1560.5		131.1	
1+13.59	TO	16+84.48	NB	RAMP 5	24074.0	1203.7	224.7			2674.9		224.7	
2+26.14	TO	15+34.96	WB	RAMP 6	20391.2	1019.6	190.3			2265.7		190.3	
+90.43	TO	20+45.95	EB	RAMP 7	25421.2	1271.1	237.3			2824.6		237.3	
3+68.87	TO	12+68.87	NB	RAMP 8	14760.5	738.0	137.8			1640.1		137.8	
				SUBTOTAL	8951	1671				19892		1671	
RTE 54 (SANGAMON AVENUE)													
30+50.39	TO	59+53.67	EB	SANGAMON	97704.1	7327.8		759.9	911.9		10856.0	911.9	**
31+16.16	TO	59+53.67	WB	SANGAMON	99342.5	7450.7		772.7	927.2		11038.1	927.2	**
59+56.82	TO	64+72.12	NB	RTE 54 N	20901.9	1567.6		162.6	195.1		2322.4	195.1	**
64+40.65	TO	66+05.28	LT TRN LN	RTE 54 S	3270.0	245.2		25.4	30.5		363.3	30.5	**
59+53.68	TO	80+00.00	EB	CAMP BUTLER	42178.9	3163.4		328.1	393.7		4686.5	393.7	**
59+53.68	TO	80+00.00	WB	CAMP BUTLER	54569.6	4092.7		424.4	509.3		6063.3	509.3	**
				SUBTOTAL	23848		2473	2968		35330		2968	
				TOTAL	57494	6281	2473	2968	74769	35330	9248		

HMA TRANSITIONS SCHEDULE						40600290	40600982	40604162	Z0034105
LOCATION	DIRECTION	ALIGNMENT	SQUARE FOOTAGE	BITUMINOUS MATERIALS (TACK COAT) (POUND) **	HOT-MIX ASPHALT SURFACE REMOVAL - BUTT JOINT (SQ YD)	POLYMERIZED HOT-MIX ASPHALT SURFACE COURSE, IL-9.5, MIX "D", N70 (TON)	MATERIAL TRANSFER DEVICE (TON)		
RTE 54 (SANGAMON AVENUE)									
30+39.39	TO	30+50.39	EB	SANGAMON	351.29	26.35	39.03	3.28	3.3
59+43.68	TO	59+53.68	WB	SANGAMON	160.61	12.05	17.85	1.50	1.5
31+05.19	TO	31+16.16	WB	SANGAMON	455.78	34.18	50.64	4.25	4.3
72+29.64	TO	72+67.51	WB	CAMP BUTLER	348.57	26.14	38.73	3.25	3.3
79+90.00	TO	80+00.00	EB/WB	CAMP BUTLER	293.82	22.04	32.65	2.74	2.7
64+62.04	TO	64+72.12	NB	RTE 54 N	258.07	19.36	28.67	2.41	2.4
66+02.58	TO	65+93.28	LT TRN LN	RTE 54 S	183.17	13.74	20.35	1.71	1.7
4+35.00	TO	4+45.00	SB	RAMP 1	151.83	11.39	16.87	1.42	1.4
15+41.70	TO	15+51.70	EB	RAMP 2	157.97	11.85	17.55	1.47	1.5
18+02.35	TO	18+12.35	WB	RAMP 3	152.31	11.42	16.92	1.42	1.4
3+55.00	TO	3+65.00	SB	RAMP 4	179.48	13.46	19.94	1.68	1.7
1+03.59	TO	1+13.59	NB	RAMP 5	162.14	12.16	18.02	1.51	1.5
15+34.96	TO	15+44.96	WB	RAMP 6	154.12	11.56	17.12	1.44	1.4
20+45.95	TO	20+55.96	EB	RAMP 7	151.23	11.34	16.80	1.41	1.4
3+58.87	TO	3+68.87	NB	RAMP 8	163.90	12.29	18.21	1.53	1.5
				TOTAL	249	369	31	31	

LONGITUDINAL JOINT SEALANT					40600370	40600372
LOCATION	SIDE	ALIGNMENT	LONGITUDINAL JOINT SEALANT	LONGITUDINAL JOINT SEALANT, HALF-WIDTH	FOOT	FOOT
FAI 55 (INTERSTATE 55)						
585+00.00	TO	695+62.03	NB	I-55		21987.0
585+00.00	TO	695+62.03	SB	I-55		21916.3
RTE 54 (SANGAMON AVENUE)						
30+40.56	TO	59+53.68	EB	SANGAMON	3926.1	
30+99.65	TO	59+53.68	WB	SANGAMON	3694.8	
59+56.82	TO	64+72.12	NB	RTE 54 N	743.7	
59+53.68	TO	80+00.00	EB	CAMP BUTLER	680.6	
59+53.68	TO	80+00.00	WB	CAMP BUTLER	1721.6	
				SUBTOTAL	10767	43903
				TOTAL	10767	43903

RAISED REFLECTIVE PAVEMENT MARKER SCHEDULE						78100100	78300200
LOCATION	SIDE	ALIGNMENT	RAISED REFLECTIVE PAVEMENT MARKER (EACH)	RAISED REFLECTIVE PAVEMENT MARKER REMOVAL (EACH)	CRYSTAL	AMBER	
FAI 55 (INTERSTATE 55)							
585+00.00	TO	590+40.00	NB	I-55	13.5		13.5
585+00.00	TO	591+37.00	SB	I-55	15.9		15.9
590+40.00	TO	597+01.95	NB	I-55	16.5		16.5
591+37.00	TO	596+52.06	SB	I-55	12.9		12.9
596+52.06	TO	607+00.00	SB	I-55	26.2		26.2
597+01.95	TO	607+00.00	NB	I-55	25.0		25.0
607+00.00	TO	610+99.71	NB	I-55	10.0		10.0
607+00.00	TO	610+99.71	SB	I-55	10.0		10.0
610+99.71	TO	618+50.00	NB/SB	I-55	38		38
618+50.00	TO	695+62.03	NB/SB	I-55	386		386
				SUBTOTAL	553	0	553
FAI 55 (INTERSTATE 55) - SANGAMON AVENUE RAMPS							
4+35.00	TO	30+35.82	SB	RAMP 1	22	29	51
1+77.16	TO	15+51.70	EB	RAMP 2	28	10	38
3+47.77	TO	18+12.35	WB	RAMP 3		22	22
3+55.00	TO	12+22.19	SB	RAMP 4	3	9	12
1+03.59	TO	16+84.48	NB	RAMP 5	19	29	48
2+26.14	TO	15+44.96	WB	RAMP 6	52	12	64
+90.43	TO	20+55.96	EB	RAMP 7		21	21
3+58.87	TO	12+68.87	NB	RAMP 8	127		127
				SUBTOTAL	251	132	383
RTE 54 (SANGAMON AVENUE)							
30+40.56	TO	59+53.68	EB	SANGAMON	127		127
30+99.65	TO	59+53.68	WB	SANGAMON	101		101
59+56.82	TO	64+72.12	NB	RTE 54 N	12		12
64+40.65	TO	66+05.28	LT TRN LN	RTE 54 S			0
59+53.68	TO	80+00.00	EB	CAMP BUTLER	23	10	33
59+53.68	TO	80+00.00	WB	CAMP BUTLER	36	10	46
				SUBTOTAL	300	20	320
				TOTAL	1104	152	1256
				GRAND TOTAL	1256		1256

REV. - MS

MODEL: Defaul FILE NAME: pr\jldbe-svw-beh\file.com\FWDDOT\Documents\DOT Offices\District 6\Projects\0672A\35\CADD\data_35\0\CD\0\Sheet0672A\35-1-beh\sheet0672a.dgn

USER NAME = Robert.Miles	DESIGNED -	REVISED -
	DRAWN -	REVISED -
PLOT SCALE = 2.0000' / in.	CHECKED -	REVISED -
PLOT DATE = 2/24/2023	DATE -	REVISED -

**STATE OF ILLINOIS
DEPARTMENT OF TRANSPORTATION**

SCHEDULE OF QUANTITIES

SCALE: N/A SHEET 1 OF 3 SHEETS STA. N/A TO STA. N/A

F.A.I. RTE.	SECTION	COUNTY	TOTAL SHEETS	SHEET NO.
55	*	SANGAMON	28	7
				CONTRACT NO. 72A75
		ILLINOIS FED. AID PROJECT		
* = (84-2-2)RS-2.Q: (792)RS-6				

PAVEMENT MARKING SCHEDULE					78009005			78009006	78009008	78009012		78004220	78004240	78004250	78004280	78004200	78011030	78011035	78011065
LOCATION	SIDE	ALIGNMENT	MODIFIED URETHANE MARKING 5" (FOOT)			MODIFIED URETHANE MARKING 6" (FOOT)	MODIFIED URETHANE MARKING 8" (FOOT)	MODIFIED URETHANE MARKING 12" (FOOT)		PPPM, TYPE B - INLAID - 5" (FOOT)	PPPM, TYPE B - INLAID - 8" (FOOT)	PPPM, TYPE B - INLAID - 12" (FOOT)	PPPM, TYPE B - INLAID - 24" (FOOT)	PPPM, TYPE B - INLAID - LETTERS AND SYMBOLS (SQ FT)	GROOVING FOR RECESSED PAVEMENT MARKING 6" (FOOT)	GROOVING FOR RECESSED PAVEMENT MARKING 7" (FOOT)	GROOVING FOR RECESSED PAVEMENT MARKING 13" (FOOT)		
			WHITE		YELLOW	WHITE	WHITE	WHITE	YELLOW	WHITE	WHITE	WHITE	WHITE	WHITE	WHITE				
			SKIP DASH	SOLID	SOLID	SOLID	SOLID	SOLID	SOLID	SKIP DASH	SOLID	SOLID	SOLID	SOLID	SOLID				
FAI 55 (INTERSTATE 55)																			
585+00.00	TO	590+40.00	NB	I-55		540.0	540.0					212.1				1080.0	0.0	0.0	
585+00.00	TO	591+37.00	SB	I-55		637.0	637.0					159.3				1274.0	0.0	0.0	
590+40.00	TO	597+01.95	NB	I-55	552.5	662.1	661.9		550.1							0.0	0.0	0.0	
591+37.00	TO	596+52.06	SB	I-55	339.8	515.3	515.1									0.0	0.0	0.0	
596+52.06	TO	607+00.00	SB	I-55		682.0	1047.9					283.2	565.4	58.1		1730.0	0.0	0.0	
597+01.95	TO	607+00.00	NB	I-55		472.1	998.1					279.8	816.4	72.5		1470.1	0.0	0.0	
607+00.00	TO	610+99.71	NB	I-55	499.7	399.7	399.7									0.0	0.0	0.0	
607+00.00	TO	610+99.71	SB	I-55	490.5	399.7	399.7		74.0							0.0	0.0	0.0	
610+99.71	TO	618+50.00	NB/SB	I-55		1083.3	1500.6					414.1	524.3	61.6		2583.9	0.0	0.0	
618+50.00	TO	695+62.03	NB/SB	I-55		13282.9	15424.1					4138.9	1833.6	64.1		28707.0	0.0	0.0	
SUBTOTAL					1882	18674	22124	0	624	0	0	5487	3740	256	0	0	36845	0	0
FAI 55 (INTERSTATE 55) - SANGAMON AVENUE RAMPS																			
4+35.00	TO	30+35.82	SB	RAMP 1	-	2600.8	1339.3									3940.1	0.0	0.0	
1+77.16	TO	15+51.70	EB	RAMP 2	-	1374.5	1158.9									2533.4	0.0	0.0	
3+47.77	TO	18+12.35	WB	RAMP 3	-	1464.6	1193.9									2658.5	0.0	0.0	
3+55.00	TO	12+22.19	SB	RAMP 4	-	867.2	854.2									1721.4	0.0	0.0	
1+03.59	TO	16+84.48	NB	RAMP 5	-	1580.9	1304.0									2884.9	0.0	0.0	
2+26.14	TO	15+44.96	WB	RAMP 6	-	1318.8	1152.3									2471.1	0.0	0.0	
+90.43	TO	20+55.96	EB	RAMP 7	-	1965.5	1224.0									3189.6	0.0	0.0	
3+58.87	TO	12+68.87	NB	RAMP 8	-	910.0	848.3									1758.3	0.0	0.0	
SUBTOTAL					0	12082	9075	0	0	0	0	0	0	0	0	0	21157	0	0
RTE 54 (SANGAMON AVENUE)																			
30+40.56	TO	59+53.68	EB	SANGAMON		4090.7	2913.1			248.8		1103.4	1079.8	81.4		7003.8	0.0	248.8	
30+99.65	TO	59+53.68	WB	SANGAMON		3331.8	2854.0			198.5		713.5	1763.7	127.1		6185.9	0.0	198.5	
59+56.82	TO	64+72.12	NB	RTE 54 N		574.1	667.2					120.6			22.0	32.0	1241.3	0.0	0.0
64+40.65	TO	66+05.28	LT TRN LN	RTE 54 S		197.5	181.2								18.0	32.0	378.7	0.0	0.0
59+53.68	TO	80+00.00	EB	CAMP BUTLER		4119.2	2225.2	307.4		452.8		93.3			42.0	32.0	6344.4	307.4	452.8
59+53.68	TO	80+00.00	WB	CAMP BUTLER		1757.9	2330.2					385.6	505.7	66.0	72.0	32.0	4088.0	0.0	0.0
SUBTOTAL					0	14071	11171	307	0	900	0	2416	3349	275	154	128	25242	307	900
TOTAL					1882	44828	42370	307	624	900	0	7904	7089	531	154	128	83244	307	900
GRAND TOTAL						89080		307	624	900		7904	7089	531	154	128	83244	307	900

MODEL: Default
 FILE: MainE - Proj - Ildot - sz - Bentley.com - PWDOT - Documents - DOT Office - District 6 - Projects - 0672A75 - 35 - CADD - 0672A75 - 35 - R - Schedule.dgn
 PROJECT: 0672A75 - 35 - CADD - 0672A75 - 35 - R - Schedule.dgn

USER NAME = Robert.Miles	DESIGNED -	REVISED -
	DRAWN -	REVISED -
PLOT SCALE = 2.0000' / in.	CHECKED -	REVISED -
PLOT DATE = 1/30/2023	DATE -	REVISED -

**STATE OF ILLINOIS
DEPARTMENT OF TRANSPORTATION**

SCHEDULE OF QUANTITIES

SCALE: N/A SHEET 2 OF 3 SHEETS STA. N/A TO STA. N/A

F.A.I. RTE.	SECTION	COUNTY	TOTAL SHEETS	SHEET NO.
55	*	SANGAMON	28	8
CONTRACT NO. 72A75				
ILLINOIS FED. AID PROJECT				
* = (84-2-2)RS-2-Q; (79Z)RS-6				

OUTLET MARKER SCHEDULE			X6670201
LOCATION	SIDE	ALIGNMENT	OUTLET MARKER (EACH)
			EACH
FAI 55 (INTERSTATE 55)			
692+17.00	LT/RT	I-55	4.0
687+15.00	LT/RT	I-55	4.0
682+13.00	LT/RT	I-55	4.0
677+11.00	LT/RT	I-55	4.0
672+10.00	RT	I-55	2.0
667+07.00	LT	I-55	1.0
662+04.00	LT/RT	I-55	3.0
657+03.00	LT/RT	I-55	4.0
652+00.00	LT/RT	I-55	4.0
650+32.00	LT	I-55	1.0
647+52.00	LT/RT	I-55	3.0
645+16.00	LT	I-55	2.0
640+70.00	RT	I-55	2.0
639+70.00	LT	I-55	2.0
634+64.00	LT	I-55	1.0
630+64.00	RT	I-55	1.0
629+67.00	LT	I-55	1.0
618+92.00	LT/RT	I-55	2.0
606+69.00	LT/RT	I-55	2.0
9+10.00	RT	RAMP 1	1.0
9+49.00	LT	RAMP 1	1.0
14+12.00	RT	RAMP 1	1.0
14+45.00	LT	RAMP 1	1.0
17+55.00	RT	RAMP 1	1.0
6+39.00	LT/RT	RAMP 2	2.0
9+87.00	LT/RT	RAMP 2	2.0
15+22.00	RT	RAMP 2	1.0
10+74.00	LT/RT	RAMP 3	2.0
14+98.00	LT	RAMP 3	1.0
2+50.00	RT	RAMP 4	1.0
5+07.00	LT	RAMP 4	1.0
7+00.00	RT	RAMP 4	1.0
7+99.00	LT	RAMP 4	1.0
1+95.00	LT	RAMP 5	1.0
6+75.00	LT/RT	RAMP 5	2.0
11+76.00	LT/RT	RAMP5	2.0
7+01.00	RT	RAMP 6	1.0
10+00.00	LT/RT	RAMP 6	2.0
14+42.00	LT	RAMP 6	1.0
8+10.00	RT	RAMP 7	1.0
9+73.00	LT	RAMP 7	1.0
18+09.00	LT	RAMP 7	1.0
5+85.00	LT	RAMP 8	1.0
8+99.00	LT/RT	RAMP 8	2.0
SUBTOTAL			79.0
TOTAL			79

SHOULDER FOG SEAL SCHEDULE							X0300010
LOCATION	DIRECTION	ALIGNMENT	SQUARE FOOTAGE	BITUMINOUS MATERIALS (FOG SEAL) (POUND)			
FAI 55 (INTERSTATE 55)							
585+00.00	TO	590+40.00	NB	I-55	5313.14	425.1	
585+00.00	TO	591+37.00	SB	I-55	6785.28	542.8	
596+52.00	TO	607+00.00	SB	I-55	7197.99	575.8	
597+02.00	TO	607+00.00	NB	I-55	5928.04	474.2	
610+99.71	TO	695+62.03	NB	I-55	114731.62	9178.5	
610+99.71	TO	695+62.03	SB	I-55	146838.46	11747.1	
SUBTOTAL						22944	
FAI 55 (INTERSTATE 55) - SANGAMON AVENUE RAMP							
4+45.00	TO	30+35.82	SB	RAMP 1	27217.72	2177.4	
1+77.16	TO	15+41.70	EB	RAMP 2	16880.05	1350.4	
3+47.77	TO	18+02.35	WB	RAMP 3	17238.59	1379.1	
3+65.00	TO	12+22.19	SB	RAMP 4	10819.53	865.6	
1+13.59	TO	16+84.48	NB	RAMP 5	18901.39	1512.1	
2+26.14	TO	15+34.96	WB	RAMP 6	15890.69	1271.3	
+90.43	TO	20+45.95	EB	RAMP 7	21674.78	1734.0	
3+68.87	TO	12+68.87	NB	RAMP 8	11055.86	884.5	
SUBTOTAL						11174	
RTE 54 (SANGAMON AVENUE)							
30+30.00	TO	59+53.67	EB	SANGAMON	48813.80	3905.1	
30+93.00	TO	59+53.67	WB	SANGAMON	47566.49	3805.3	
59+56.82	TO	64+70.40	NB	RTE 54 N	1023.13	81.9	
59+53.68	TO	77+74.38	EB	CAMP BUTLER	19493.49	1559.5	
59+53.68	TO	72+03.42	WB	CAMP BUTLER	2610.82	208.9	
SUBTOTAL						9561	
TOTAL						43678	

SHORT TERM PAVEMENT MARKING SCHEDULE					70300100				70300150
LOCATION	SIDE	ALIGNMENT	SHORT TERM PAVEMENT MARKING (FT)				SHORT TERM PAVEMENT MARKING REMOVAL (SQ FT)		
			CENTERLINE	LANE LINE/STOP BAR	LANE LINE	EDGE LINE			
			4' PER 40'	SOLID WHITE	SOLID YELLOW	45 DEGREE			
FAI 55 (INTERSTATE 55)									
585+00.00	TO	590+40.00	NB	I-55	54.0			21.6	31.5
585+00.00	TO	591+37.00	SB	I-55	63.7			25.5	37.2
597+01.95	TO	607+00.12	NB	I-55	99.8			39.9	58.2
596+52.06	TO	607+00.12	SB	I-55	104.8			41.9	61.1
607+00.12	TO	618+50.00	NB/SB	I-55	230.0			92.0	134.2
618+50.00	TO	695+62.03	NB/SB	I-55	1542.4			617.0	899.7
4+45.00	TO	30+35.82	SB	RAMP 1				414.5	172.7
1+77.16	TO	15+41.70	EB	RAMP 2				218.3	91.0
3+47.77	TO	18+02.35	WB	RAMP 3				232.7	97.0
3+65.00	TO	12+22.19	SB	RAMP 4				137.2	57.1
1+13.59	TO	16+84.48	NB	RAMP 5				251.3	104.7
2+26.14	TO	15+34.96	WB	RAMP 6				209.4	87.3
+90.43	TO	20+45.95	EB	RAMP 7				312.9	130.4
3+68.87	TO	12+68.87	NB	RAMP 8				144.0	60.0
SUBTOTAL					2095	0	0	2758	2022
TOTAL (2 APPLICATIONS - AFTER MILLING & SURFACE)					4189	0	0	2758	4044
RTE 54 (SANGAMON AVENUE)									
30+40.56	TO	59+53.68	EB	SANGAMON	373.3			58.3	179.8
30+99.65	TO	59+53.68	WB	SANGAMON	358.4			57.1	173.1
32+93.77	TO	40+24.84	EB	SANGAMON				14.6	6.1
34+86.55	TO	39+29.72	WB	SANGAMON				8.9	3.7
45+73.81	TO	52+57.09	WB	SANGAMON				13.7	5.7
46+60.46	TO	51+21.71	EB	SANGAMON				9.2	3.8
52+00.00	TO	68+00.00	EB	SANGAMON				32.0	13.3
54+00.00	TO	59+53.67	WB	SANGAMON				11.1	4.6
59+56.82	TO	64+72.12	NB	RTE 54 N		23.0			9.6
64+40.65	TO	66+05.28	LT TRN LN	RTE 54 S		18.0			7.5
59+53.68	TO	80+00.00	EB	CAMP BUTLER	140.0	349.0	350.0		349.6
59+53.68	TO	80+00.00	WB	CAMP BUTLER	40.0	74.0	350.0		193.3
SUBTOTAL					912	464	700	205	950
TOTAL (3 APPLICATIONS - AFTER MILLING, BINDER, & SURFACE)					2735	1392	2100	205	2851
GRAND TOTAL					13380				6895

NOTE: 45 DEGREE EDGE LINES RECEIVE ONE APPLICATION

PAVEMENT PATCHING						44201043	44201047	44201048	44201299	44213200	44213204	44200050
APPROX. BEGIN STATION	LOCATION/ALIGNMENT	PATCH NUMBER	LANE DL/ML/PL	THEO LENGTH (FOOT)	THEO WIDTH (FOOT)	CLASS B PATCHES, TYPE II, 16 INCH (SQ YD)	CLASS B PATCHES, TYPE III, 16 INCH (SQ YD)	CLASS B PATCHES, TYPE IV, 16 INCH (SQ YD)	DOWEL BARS 1 1/2" (EA)	SAW CUTS (LIN FT)	TIE BARS 3/4 (EACH)	WELDED WIRE REINFORCEMENT (SQ YD)
FAI 55 (INTERSTATE 55) - SANGAMON AVENUE RAMP												
2+75.00	RAMP 4	1	DL	12	13		17.3		22.0	63.0	--	17.3
3+00.00	RAMP 4	2	DL	6	12	8.0			20.0	48.0	--	
4+53.00	RAMP 4	3	DL	9	15		15.0		26.0	63.0	--	15.0
3+75.00	RAMP 5	4	DL	6	16	10.7			28.0	60.0	--	
17+01.00	RAMP 6	5	DL	6	16	10.7			28.0	60.0	--	
1+10.00	RAMP 8	6	DL	8	13	11.6			22.0	55.0	--	
SUBTOTAL						41	32	0	146	349	0	32
RTE 54 (SANGAMON AVENUE)												
42+25.00	WB SANGAMON AVE.	7	PL	6	24		16.0		44.0	84.0	--	16.0
42+31.00	WB SANGAMON AVE.	8	PL	6	24		16.0		44.0	84.0	--	16.0
65+50.00	RTE 54 N	9	DL	18	6	12.0			8.0	54.0	--	
65+51.00	RTE 54 N	10	DL	30	19			63.3	34.0	117.0	18	63.3
72+00.00	WB SANGAMON AVE.	11	DL/PL	17	24			45.3	44.0	106.0	--	45.3
72+00.00	WB SANGAMON AVE.	12	PL	15	12		20.0		20.0	66.0	--	20.0
SUBTOTAL						12	52	109	194	511	18	161
TOTAL						53	84	109	340	860	18	193

MODEL: Default
 FILE: Name: p:\blider-aw-bentley.com\PHWDOT\Documents\DOT Offices\District 6\Projects\0672A\35-CADD\data_55\0\CADD\sheet\0672A_35-RH-schedule.dgn

USER NAME = Robert.Miles	DESIGNED -	REVISED -
DRAWN -	REVISED -	
PLOT SCALE = 2.0000' / in.	CHECKED -	REVISED -
PLOT DATE = 12/21/2022	DATE -	REVISED -

**STATE OF ILLINOIS
DEPARTMENT OF TRANSPORTATION**

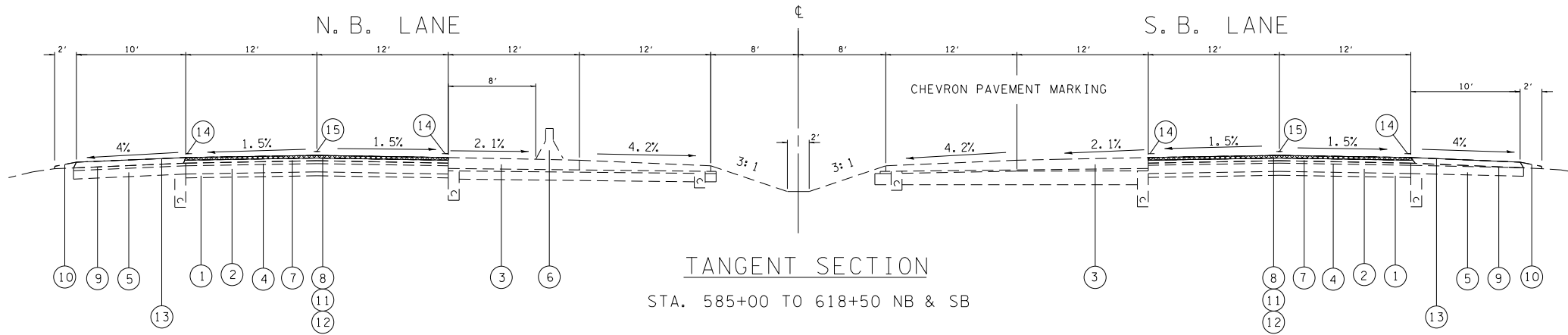
SCHEDULE OF QUANTITIES			
SCALE: N/A	SHEET 3	OF 3	SHEETS
STA. N/A	TO STA. N/A		

F.A.I. RTE.	SECTION	COUNTY	TOTAL SHEETS	SHEET NO.
55	*	SANGAMON	28	9
CONTRACT NO. 72A75				
ILLINOIS FED. AID PROJECT				
* = (84-2-2)RS-2.Q; (79Z)RS-6				

REV. - MS

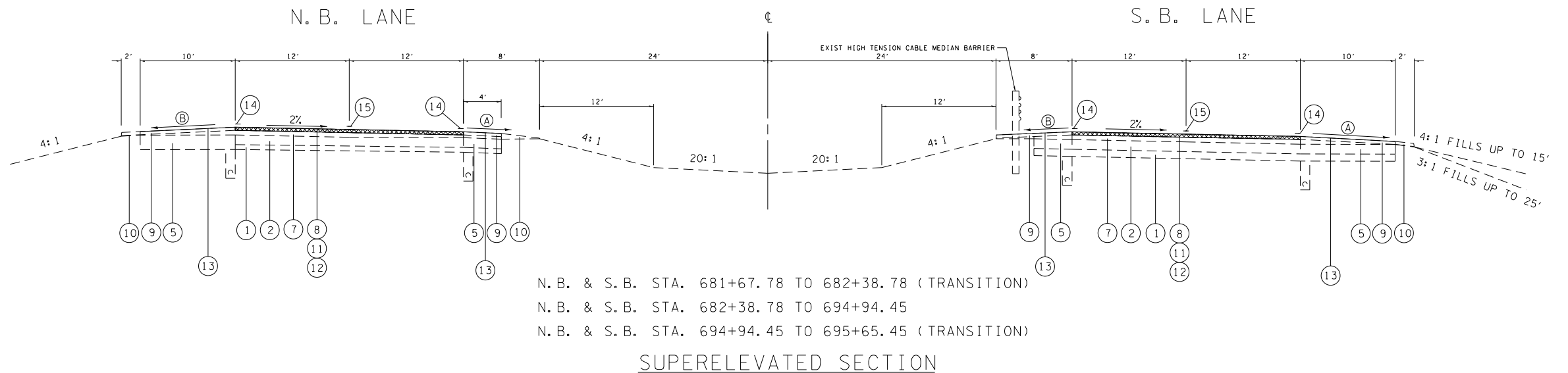
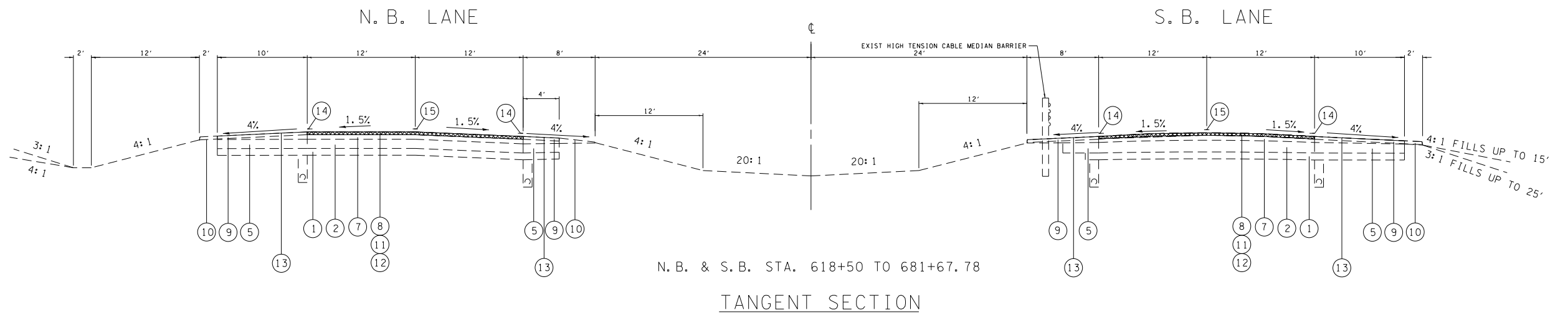
I-55 LEGEND

- ① EXIST SUB-BASE GRANULAR MATERIAL 6"
- ② EXIST 10" S.R PCC PAVEMENT
- ③ EXIST 11" CR. RCC PAVEMENT
- ④ EXIST HOT MIX ASPHALT
- ⑤ EXIST HOT MIX ASPHALT SHOULDERS
- ⑥ EXIST TEMP CONC BARRIER WALL
- ⑦ EXIST HOT MIX ASPHALT BINDER CSE, VAR DEPTH
- ⑧ EXIST HOT MIX ASPHALT SURFACE CSE, 1 1/2"
- ⑨ EXIST HOT MIX ASPHALT SHOULDERS, 2" TYPICAL
- ⑩ EXIST AGG. SHOULDERS, WEDGE
- ⑪ PROP POLY HMA SURFACE CSE 1 1/2"
- ⑫ PROP HMA SURF REMOVAL 1 1/2"
- ⑬ PROP BIT MATERIALS FOG SEAL (SHOULDERS)
- ⑭ PROP MOD. URETHANE PAVEMENT MARKING - LINE 5"
- ⑮ PROP. PPPM, TYPE B, INLAID - LINE 5"



BRIDGE OMISSIONS (PAVEMENT MARKING ONLY)

NB: STA. 608+00 TO STA. 610+38
 STA. 592+05 TO STA. 594+40
 SB: STA. 592+91 TO STA. 595+37
 STA. 608+00 TO STA. 610+38



MODEL: I:\Default
 FILE: MainE_Plan\Ildot-sw-bentley.com\PROJECTS\DOT\Office\District_6\Projects\0672A75\CADD\data_55\I0672A75\I55-RT-Typical.dgn

USER NAME = Robert.Miles	DESIGNED -	REVISED -
	DRAWN -	REVISED -
PLOT SCALE = 20.0000' / in.	CHECKED -	REVISED -
PLOT DATE = 12/21/2022	DATE -	REVISED -

**STATE OF ILLINOIS
DEPARTMENT OF TRANSPORTATION**

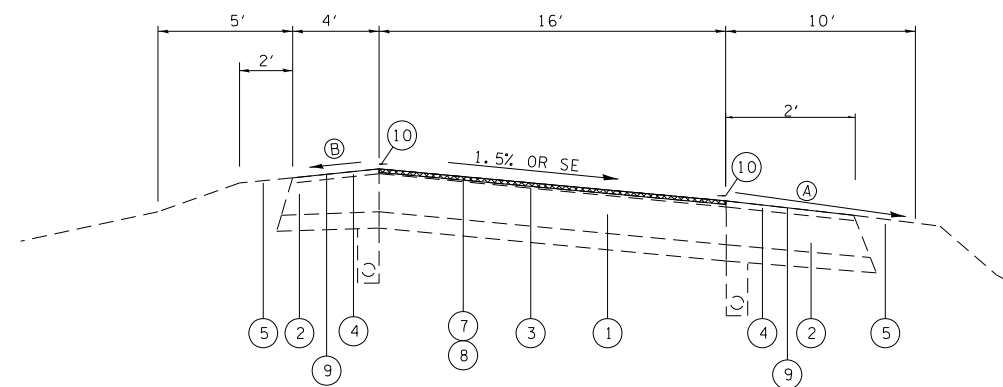
TYPICAL SECTIONS	
I-55	
SCALE: N/A	SHEET 1 OF 3 SHEETS
STA. N/A	TO STA. N/A

F.A.I. RTE.	SECTION	COUNTY	TOTAL SHEETS	SHEET NO.
55	*	SANGAMON	28	10
CONTRACT NO. 72A75				
ILLINOIS FED. AID PROJECT				

* = (84-2-2)RS-2,Q: (79Z)RS-6

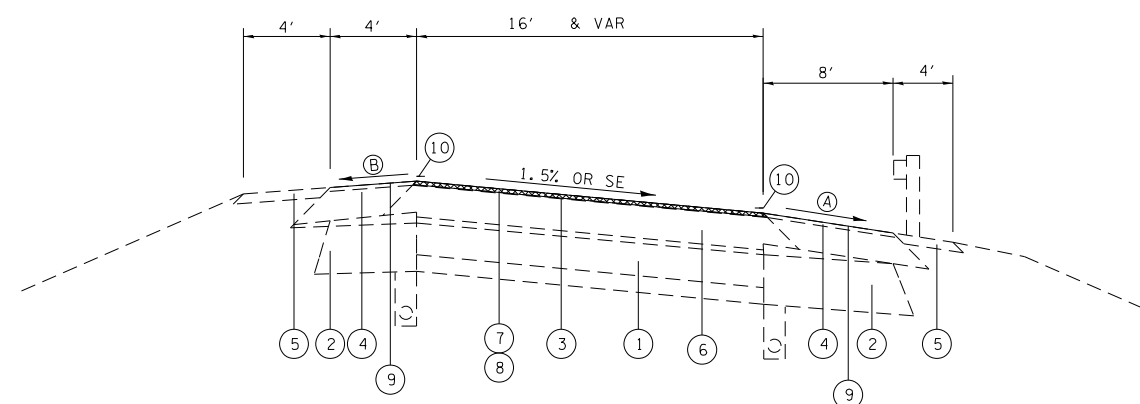
RAMPS LEGEND

- ① EXIST 10" PCC PAVEMENT
- ② EXIST HOT MIX ASPHALT SHOULDERS
- ③ EXIST HOT MIX ASPHALT SURFACE, CSE, 2"
- ④ EXIST HOT MIX ASPHALT SHOULDERS, 2" TYPICAL
- ⑤ EXIST AGG. SHOULDERS, WEDGE
- ⑥ EXIST HOT MIX ASPHALT 5" AND VAR
- ⑦ PROP POLY HMA SURFACE CSE 1 1/2"
- ⑧ PROP HMA SURF REMOVAL 1 1/2"
- ⑨ PROP BIT MATERIALS FOG SEAL (SHOULDERS)
- ⑩ PROP MOD. URETHANE PAVEMENT MARKING - LINE 5"



SANGAMON AVE. INTERCHANGE RAMPS

- RAMP 1 1+15 TO 13+83
- RAMP 2 2+23 TO 13+17
- RAMP 3 0+36 TO 12+66
- RAMP 4 1+83 TO 9+60
- RAMP 5 8+00 TO 16+00
- RAMP 6 2+23 TO 13+17
- RAMP 7 0+36 TO 11+00
- RAMP 8 1+83 TO 9+80



SANGAMON AVE. INTERCHANGE RAMPS

- RAMP 5 0+36 TO 8+00
- RAMP 7 11+00 TO 12+74

MODEL: Default
 FILE: MainE_pxl\lides-2\benlley.com-PWIDOT\Documents\DOT Offices\District 6\Projects\0672A\35\06\00\data_35\06\00\sheet\typical.dgn

USER NAME = Robert.Miles	DESIGNED -	REVISED -
	DRAWN -	REVISED -
PLOT SCALE = 20.0000 ' / in.	CHECKED -	REVISED -
PLOT DATE = 12/21/2022	DATE -	REVISED -

**STATE OF ILLINOIS
DEPARTMENT OF TRANSPORTATION**

**TYPICAL SECTIONS
I-55 SANGAMON AVENUE RAMPS**

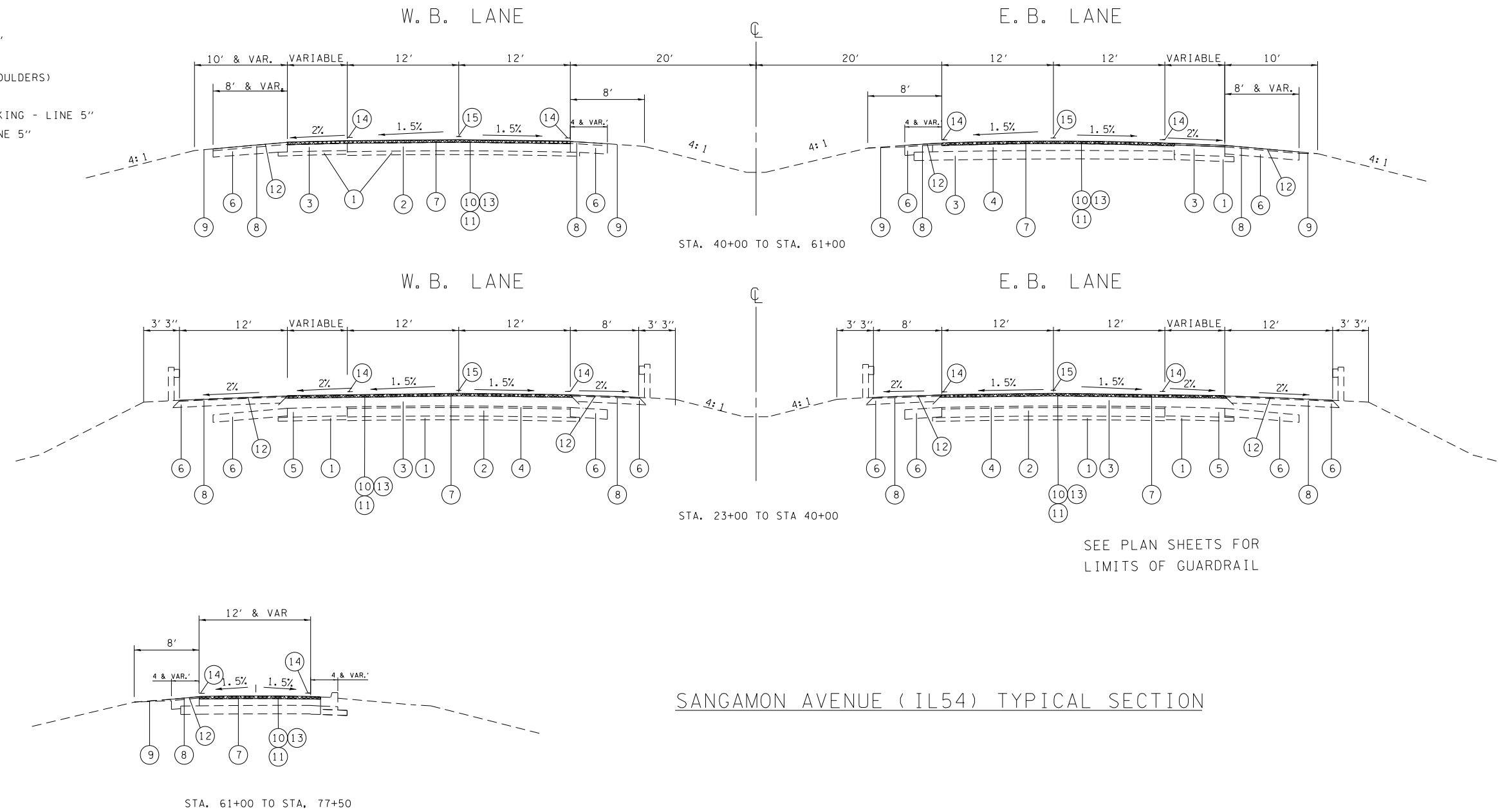
SCALE: N/A SHEET 2 OF 3 SHEETS STA. N/A TO STA. N/A

F.A.I. RTE.	SECTION	COUNTY	TOTAL SHEETS	SHEET NO.
55	*	SANGAMON	28	11
CONTRACT NO. 72A75				
ILLINOIS FED. AID PROJECT				

* = (84-2-2)RS-2,Q: (79Z)RS-6

LEGEND

- ① EXIST STABILIZED SUBBASE, 4"
- ② EXIST PCC PAVEMENT, 9"
- ③ EXIST PCC PAVEMENT
- ④ EXIST BITUMINOUS SURFACE
- ⑤ EXIST PCC PAVEMENT, 10"
- ⑥ EXIST BITUMINOUS SHOULDER
- ⑦ EXIST BIT SURFACE, 2"
- ⑧ EXIST BIT SHOULDERS, 2"
- ⑨ EXIST AGG SHOULDERS, 3" to 1"
- ⑩ PROP POLY HMA SURFACE CSE 1 1/2"
- ⑪ PROP HMA SURF REMOVAL 2 1/2"
- ⑫ PROP BIT MATERIALS FOG SEAL (SHOULDERS)
- ⑬ PROP POLY HMA BINDER CSE 1 1/4"
- ⑭ PROP MOD. URETHANE PAVEMENT MARKING - LINE 5"
- ⑮ PROP. PPPM, TYPE B, INLAID - LINE 5"



SEE PLAN SHEETS FOR LIMITS OF GUARDRAIL

SANGAMON AVENUE (IL54) TYPICAL SECTION

MODEL: Default
 FILE: MainE_pxl\lides-28.bentley.com:PHWDOT\Documents\DOT Offices\District 6\Projects\0672A\55\0\CAD\sheet\0672A\55\lides-28.dgn

USER NAME = Robert.Miles	DESIGNED -	REVISED -
	DRAWN -	REVISED -
PLOT SCALE = 20.0000' / in.	CHECKED -	REVISED -
PLOT DATE = 12/21/2022	DATE -	REVISED -

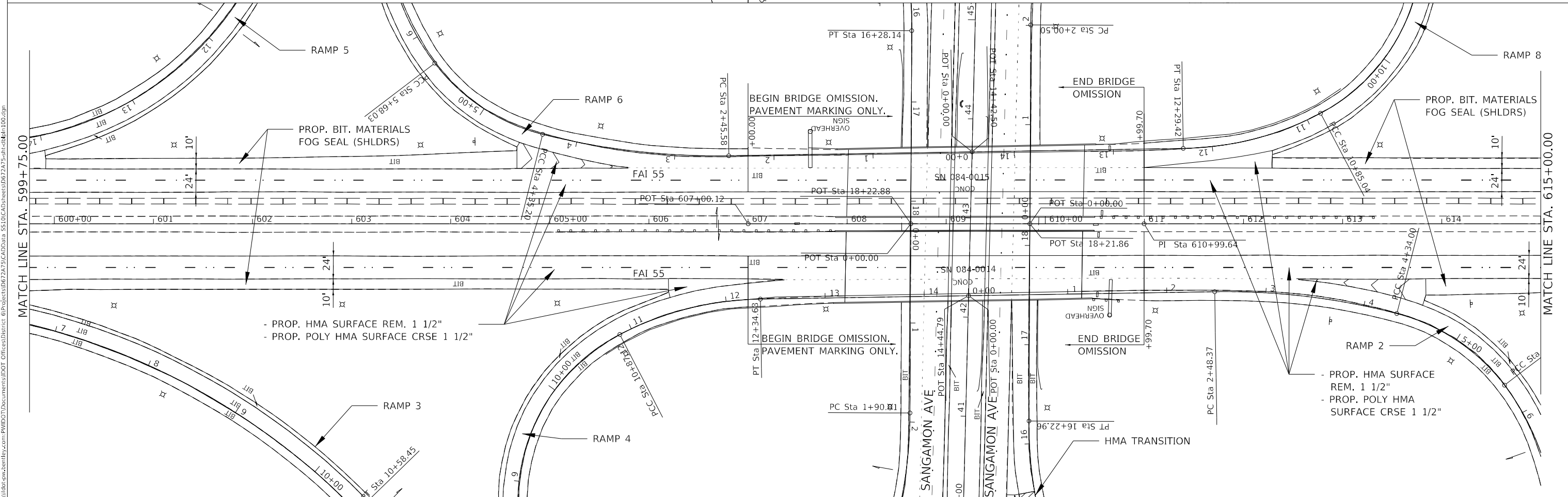
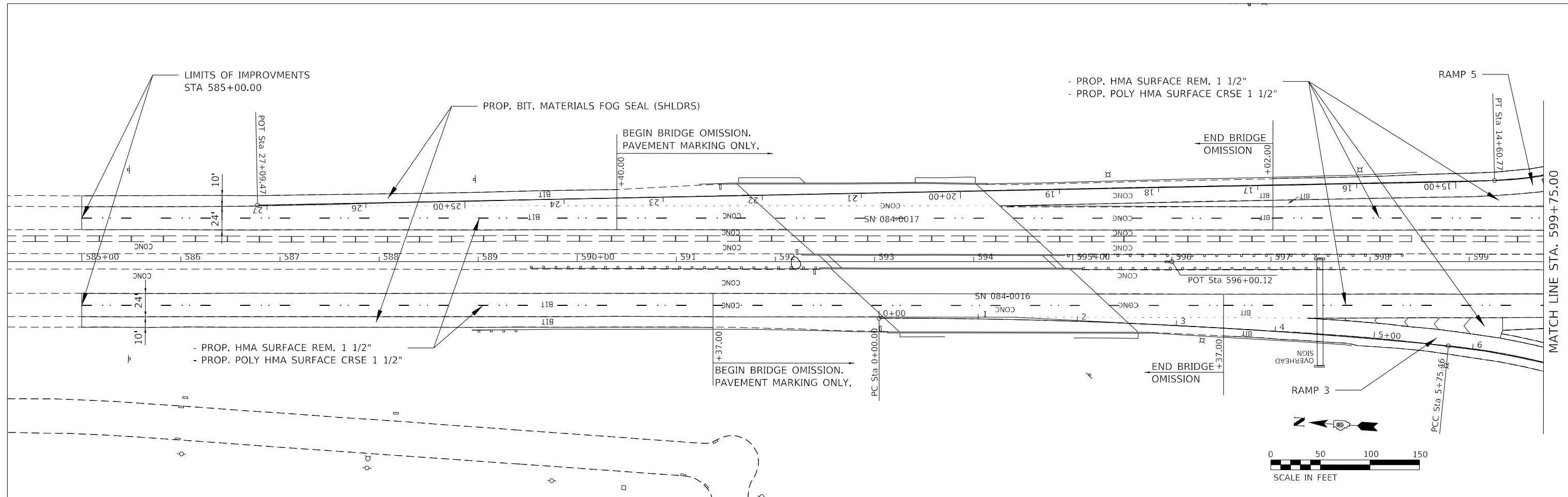
**STATE OF ILLINOIS
DEPARTMENT OF TRANSPORTATION**

TYPICAL SECTIONS SANGAMON AVENUE			
SCALE: N/A	SHEET 3	OF 3 SHEETS	STA. N/A TO STA. N/A

F.A.I. RTE.	SECTION	COUNTY	TOTAL SHEETS	SHEET NO.
55	*	SANGAMON	28	12
CONTRACT NO. 72A75				
ILLINOIS FED. AID PROJECT				

* = (84-2-2)RS-2,Q: (79Z)RS-6

MODEL: I:\Default
 FILE: MainE_Plan\Ildot-cw-bentley.com-PRWDDOT\Documents\DOT Offices\District 6\Projects\0672A\35\CADD\data_35\06CADD\sheet0672A35-sh-1.dwg(100.dgn)



USER NAME = Robert.Miles	DESIGNED -	REVISED -
	DRAWN -	REVISED -
PLOT SCALE = 100.0000' / in.	CHECKED -	REVISED -
PLOT DATE = 12/21/2022	DATE -	REVISED -

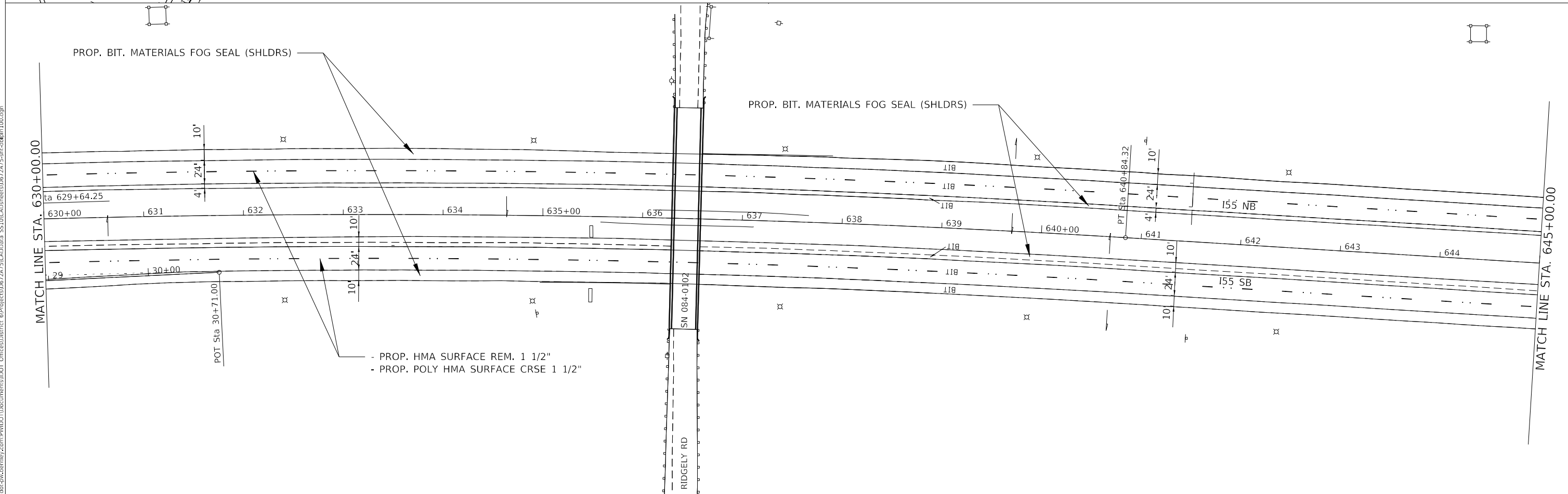
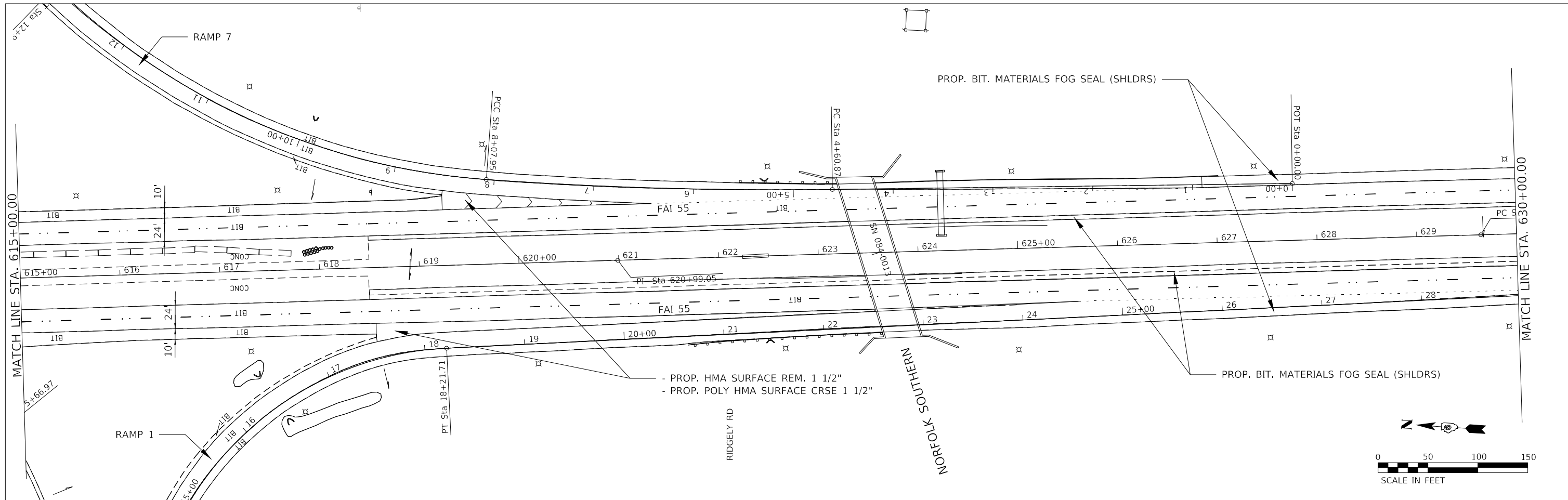
**STATE OF ILLINOIS
 DEPARTMENT OF TRANSPORTATION**

PLAN VIEW - I-55 MAINLINE

SCALE: 50 SHEET 1 OF 7 SHEETS STA. 558+00 TO STA. 615+00

F.A. RTE.	SECTION	COUNTY	TOTAL SHEETS	SHEET NO.
*	*	SANGAMON	28	13
CONTRACT NO. 72A75				
ILLINOIS FED. AID PROJECT				

* (84-2-2)RS-2,Q; (79Z)RS-6



MODEL: D:\default...
 FILE: MainE...
 PROJECT: D:\Projects\DOT\Office\District 6\Projects\0672A\35\0672A\35\Sheet\100.dgn

USER NAME = Robert.Miles	DESIGNED -	REVISED -
DRAWN -	REVISOR -	REVISION -
PLOT SCALE = 100.0000' / in.	CHECKED -	REVISOR -
PLOT DATE = 12/21/2022	DATE -	REVISION -

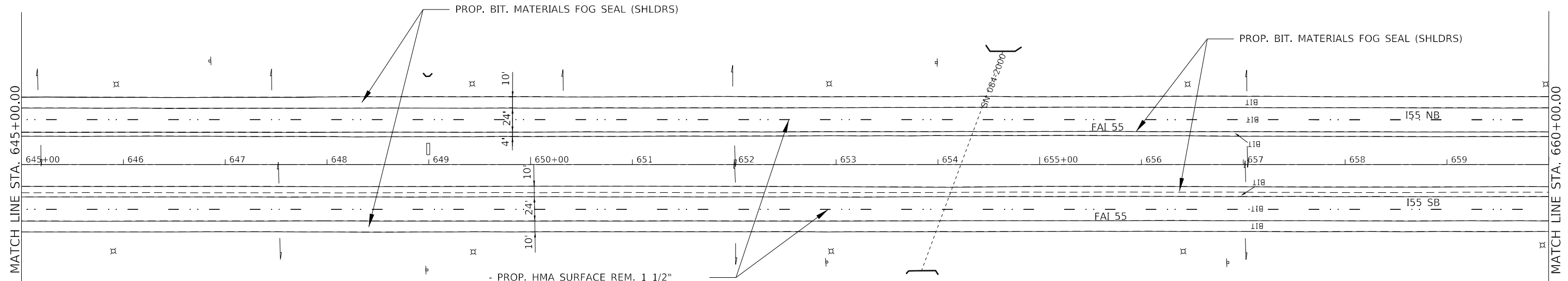
STATE OF ILLINOIS
DEPARTMENT OF TRANSPORTATION

PLAN VIEW - I-55 MAINLINE

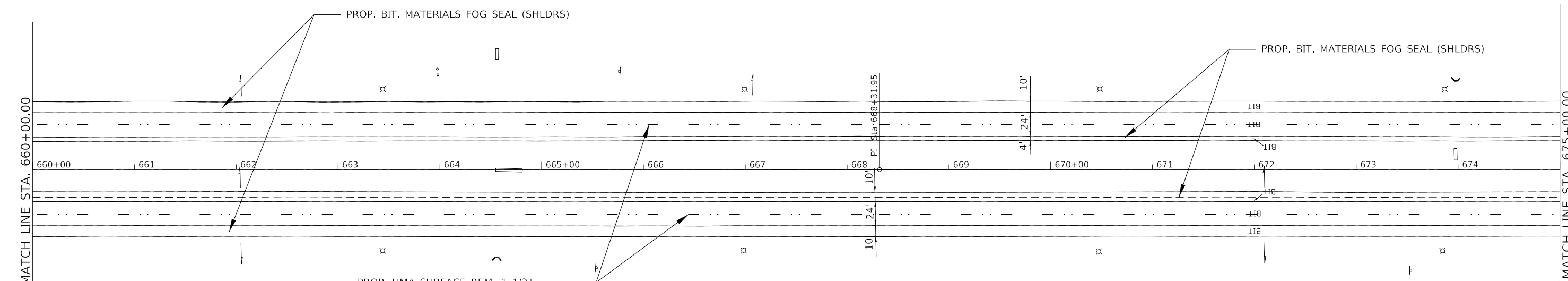
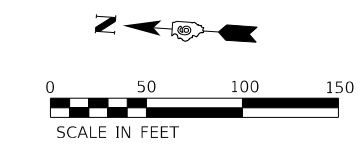
SCALE: 50 SHEET 2 OF 7 SHEETS STA. 615+00 TO STA. 645+00

F.A. RTE.	SECTION	COUNTY	TOTAL SHEETS	SHEET NO.
*	*	SANGAMON	28	14
CONTRACT NO. 72A75				
ILLINOIS FED. AID PROJECT				

* (84-2-2)RS-2,Q; (79Z)RS-6



- PROP. HMA SURFACE REM. 1 1/2"
 - PROP. POLY HMA SURFACE CRSE 1 1/2"



- PROP. HMA SURFACE REM. 1 1/2"
 - PROP. POLY HMA SURFACE CRSE 1 1/2"

MODEL: Default
 FILE NAME: p:\blider\sw\benlley.com\PHWDOT\Documents\DOT Offices\District 6\Projects\0672A\35\CD\Draw_55\10\CD\Draw\Sheet\0672A\35\sh-rl-dim\100.dgn

USER NAME = Robert.Miles	DESIGNED -	REVISED -
DRAWN -	DRAWN -	REVISED -
PLOT SCALE = 100.0000' / in.	CHECKED -	REVISED -
PLOT DATE = 12/21/2022	DATE -	REVISED -

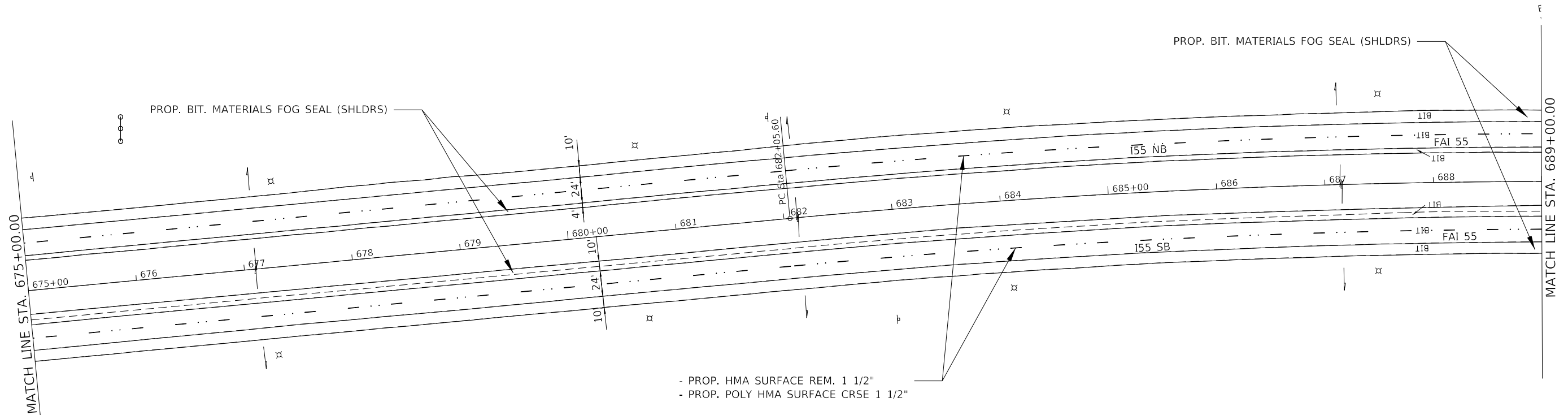
**STATE OF ILLINOIS
 DEPARTMENT OF TRANSPORTATION**

PLAN VIEW - I-55 MAINLINE

SCALE: 50 SHEET 3 OF 7 SHEETS STA. 645+00 TO STA. 675+00

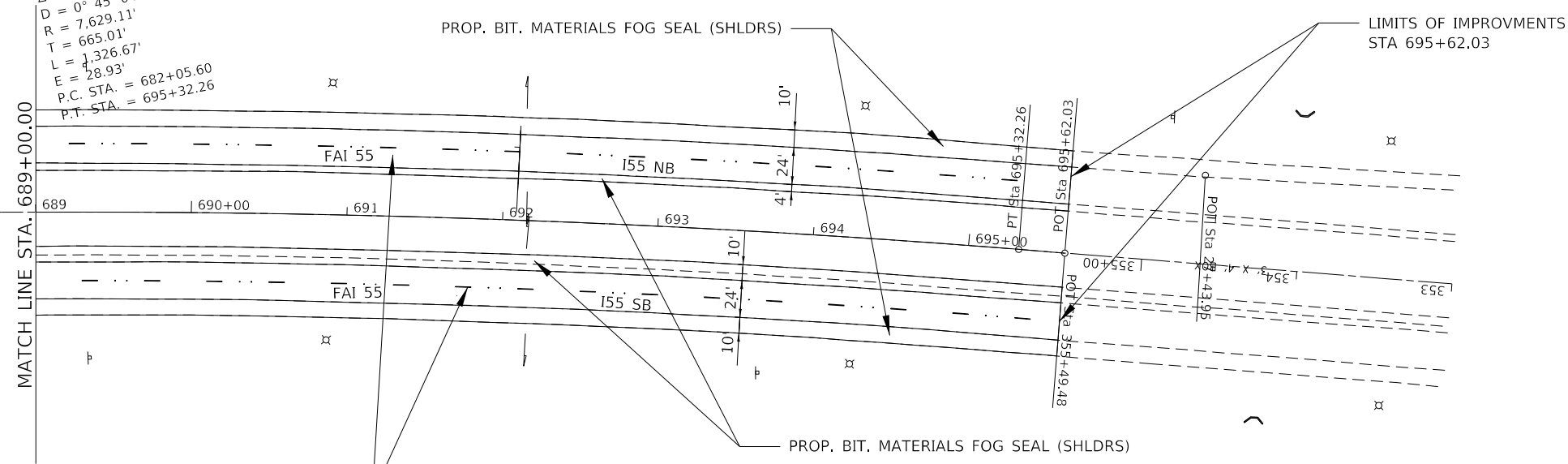
F.A. RTE.	SECTION	COUNTY	TOTAL SHEETS	SHEET NO.
*	*	SANGAMON	28	15
CONTRACT NO. 72A75				
ILLINOIS FED. AID PROJECT				

* (84-2-2)RS-2,Q: (79Z)RS-6

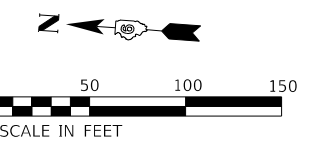


- PROP. HMA SURFACE REM. 1 1/2"
 - PROP. POLY HMA SURFACE CRSE 1 1/2"

EXIST. CURVE 688
 PI STA. = 688+70.61
 $\Delta = 9^\circ 57' 48''$ (RT)
 $D = 0^\circ 45' 04''$
 $R = 7,629.11'$
 $T = 665.01'$
 $L = 1,326.67'$
 $E = 28.93'$
 P.C. STA. = 682+05.60
 P.T. STA. = 695+32.26



- PROP. HMA SURFACE REM. 1 1/2"
 - PROP. POLY HMA SURFACE CRSE 1 1/2"



MODEL: D:\default
 FILE: MainE_pva\lides-cw\benfley.com\PHWDOT\Documents\DOT Offices\District 6\Projects\0672A\35\CAD\data_35\0\CAD\sheet\0672A_35-sh-rl-dim100.dgn

USER NAME = Robert.Miles	DESIGNED -	REVISED -
	DRAWN -	REVISED -
PLOT SCALE = 100,0000' / in.	CHECKED -	REVISED -
PLOT DATE = 12/21/2022	DATE -	REVISED -

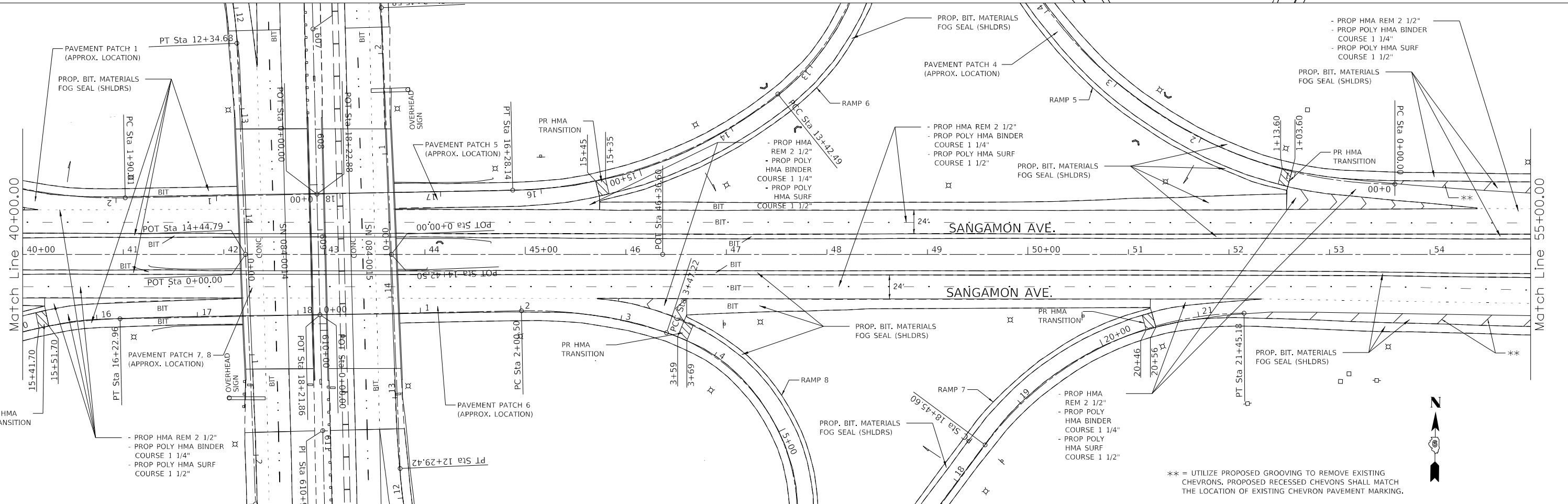
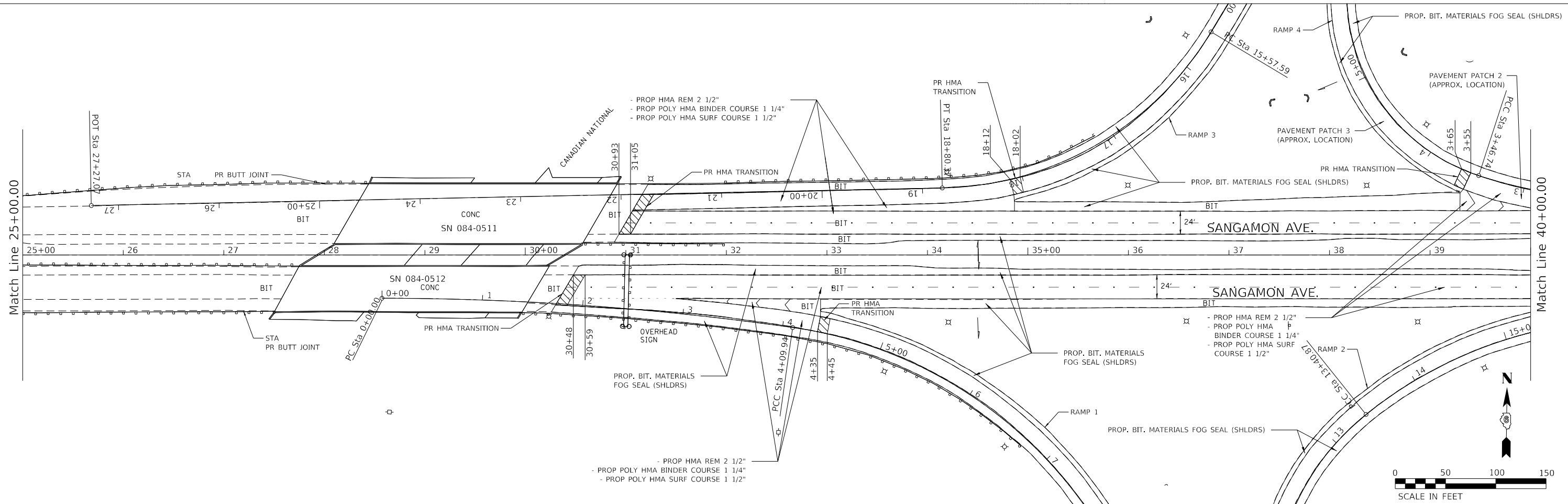
**STATE OF ILLINOIS
 DEPARTMENT OF TRANSPORTATION**

PLAN VIEW - I-55 MAINLINE

SCALE: 50 SHEET 4 OF 7 SHEETS STA. 675+00 TO STA. 695+62.03

F.A.* RTE.	SECTION	COUNTY	TOTAL SHEETS	SHEET NO.
*	*	SANGAMON	28	16
CONTRACT NO. 72A75				
ILLINOIS FED. AID PROJECT				

* (84-2-2)RS-2,Q; (79Z)RS-6



MODEL: I:\default...
 FILE NAME: p:\blldoc-srv\benlby.com\PHWDOT\Documents\DOT Offices\District 6\Projects\0672A\35\CD\DATA_55\0\CD\Drawings\0672A\35-sh-4-lan-sangamonave.dgn

USER NAME = Robert.Miles	DESIGNED -	REVISED -
DRAWN -	REVISED -	REVISED -
PLOT SCALE = 100.0000' / in.	CHECKED -	REVISED -
PLOT DATE = 12/21/2022	DATE -	REVISED -

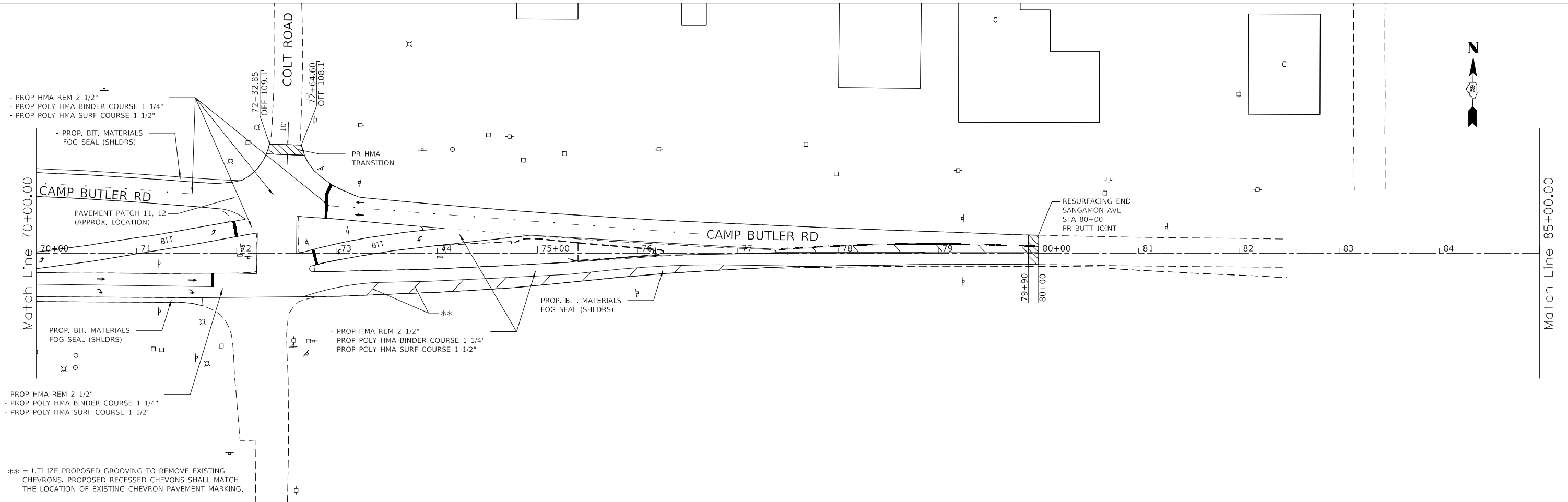
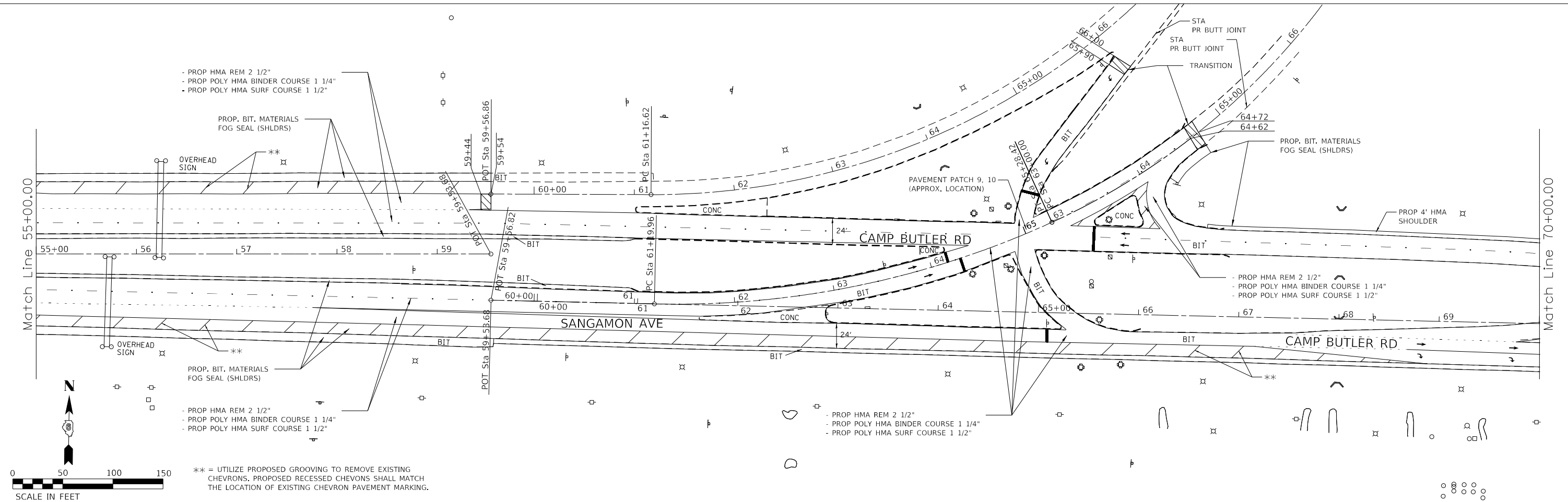
**STATE OF ILLINOIS
DEPARTMENT OF TRANSPORTATION**

PLAN VIEW - Sangamon Ave

SCALE: 50 SHEET 4 OF 5 SHEETS STA. 25+00 TO STA. 55+00

F.A.I. RTE.	SECTION	COUNTY	TOTAL SHEETS	SHEET NO.
55	*	SANGAMON	28	18
CONTRACT NO. 72A75				

ILLINOIS FED. AID PROJECT
 * = (84-2-2)RS-2-Q; (792)RS-6



MODEL: I:\default
 FILE: MainE_Plan\bllder-svw_bentley.com_PWD07\Documents\DOT Offices\District 6\Projects\0672A\35\CD\Draws_5510\CD\Draws\Sheet\0672A\35-sh-4\plan_sangamonave.dgn

USER NAME = Robert.Miles	DESIGNED -	REVISED -
PLOT SCALE = 100.0000' / in.	DRAWN -	REVISED -
PLOT DATE = 12/21/2022	CHECKED -	REVISED -
	DATE -	REVISED -

STATE OF ILLINOIS
DEPARTMENT OF TRANSPORTATION

PLAN VIEW - Sangamon Ave
 SCALE: 50 SHEET 5 OF 5 SHEETS STA. 55+00 TO STA. 85+00

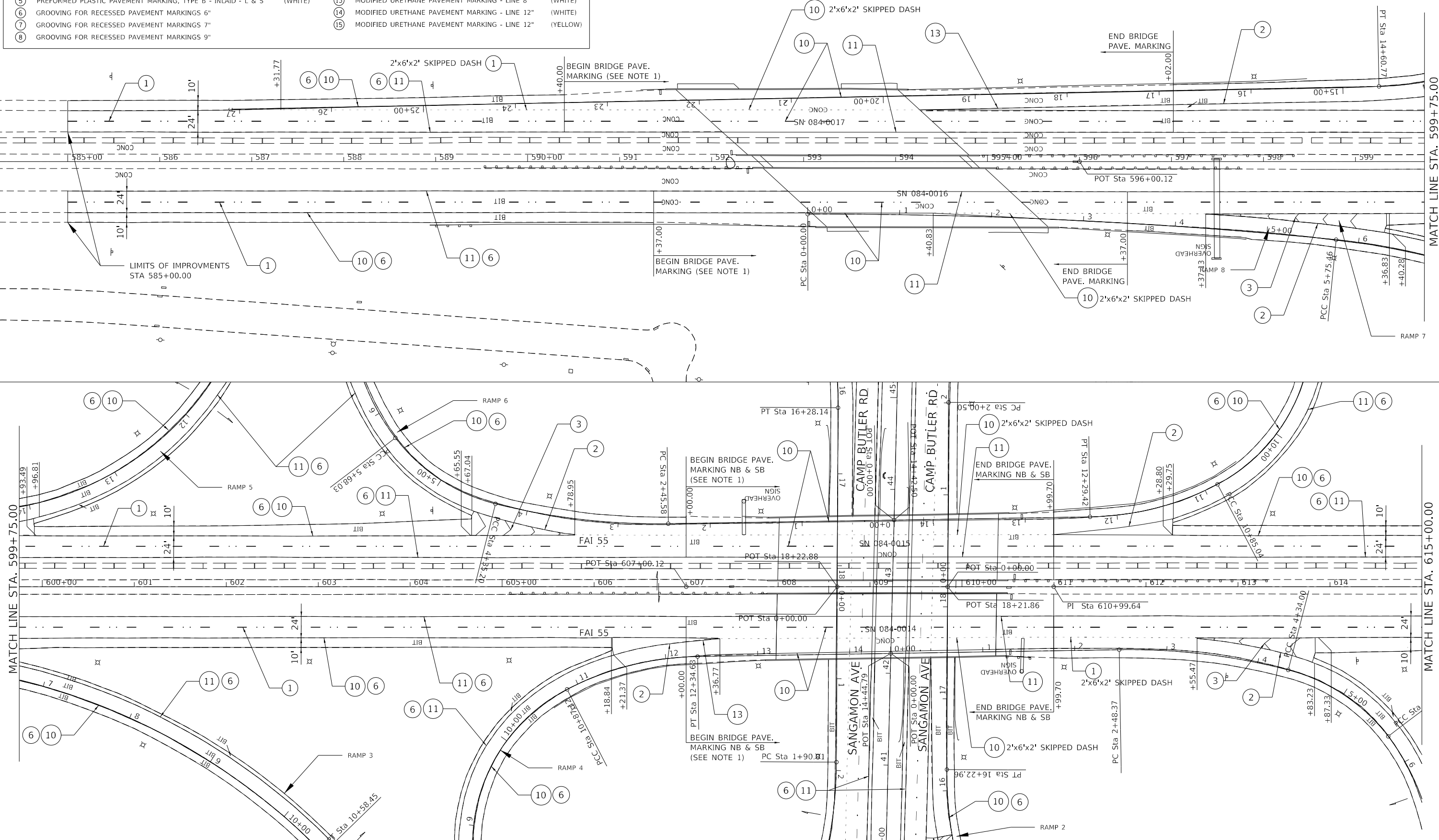
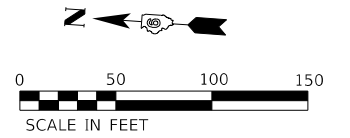
F.A.I. RTE.	SECTION	COUNTY	TOTAL SHEETS	SHEET NO.
55	*	SANGAMON	28	19
CONTRACT NO. 72A75				

ILLINOIS FED. AID PROJECT
 *(84-2-2)RS-2.Q; (792)RS-6

PAVEMENT MARKING LEGEND

- | | | | |
|---|--|---|--|
| ① | PREFORMED PLASTIC PAVEMENT MARKING, TYPE B - INLAID - LINE 5" (WHITE) | ⑨ | GROOVING FOR RECESSED PAVEMENT MARKINGS 13" (WHITE) |
| ② | PREFORMED PLASTIC PAVEMENT MARKING, TYPE B - INLAID - LINE 8" (WHITE) | ⑩ | MODIFIED URETHANE PAVEMENT MARKING - LINE 5" (WHITE) |
| ③ | PREFORMED PLASTIC PAVEMENT MARKING, TYPE B - INLAID - LINE 12" (WHITE) | ⑪ | MODIFIED URETHANE PAVEMENT MARKING - LINE 5" (YELLOW) |
| ④ | PREFORMED PLASTIC PAVEMENT MARKING, TYPE B - INLAID - LINE 24" (WHITE) | ⑫ | MODIFIED URETHANE PAVEMENT MARKING - LINE 6" (WHITE) |
| ⑤ | PREFORMED PLASTIC PAVEMENT MARKING, TYPE B - INLAID - L & S (WHITE) | ⑬ | MODIFIED URETHANE PAVEMENT MARKING - LINE 8" (WHITE) |
| ⑥ | GROOVING FOR RECESSED PAVEMENT MARKINGS 6" | ⑭ | MODIFIED URETHANE PAVEMENT MARKING - LINE 12" (WHITE) |
| ⑦ | GROOVING FOR RECESSED PAVEMENT MARKINGS 7" | ⑮ | MODIFIED URETHANE PAVEMENT MARKING - LINE 12" (YELLOW) |
| ⑧ | GROOVING FOR RECESSED PAVEMENT MARKINGS 9" | | |

NOTE 1: ALL PAVEMENT MARKINGS ON BRIDGE DECK AND APPROACHES SHALL BE MODIFIED URETHANE PAVEMENT MARKING AND SHALL BE PLACED DIRECTLY OVER EXISTING PAVEMENT MARKING. NO GROOVING TO BE PERFORMED IN THESE AREAS.



MODEL: D:\p\full FILE: MainE: p\11\lides-cw-bentley.com:PHWDOT\Documents\DOT Offices\District 6\Projects\0672A\35\CD\Draws_55\06\CD\Draws\0672A\35\p\p\mk-55_50_Scale.dwg

USER NAME = Robert.Miles	DESIGNED -	REVISED -
	DRAWN -	REVISED -
PLOT SCALE = 100.0000' / in.	CHECKED -	REVISED -
PLOT DATE = 12/21/2022	DATE -	REVISED -

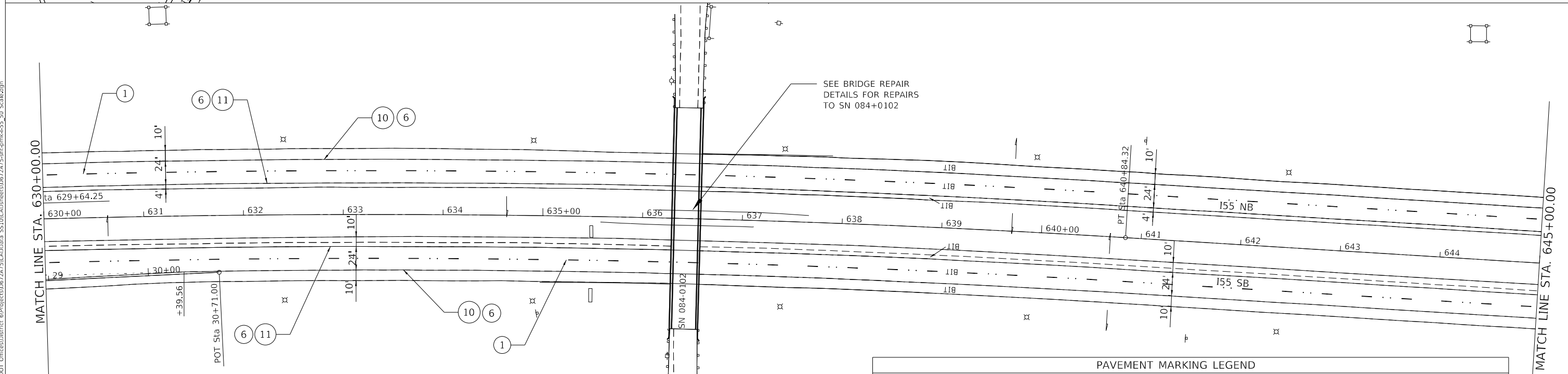
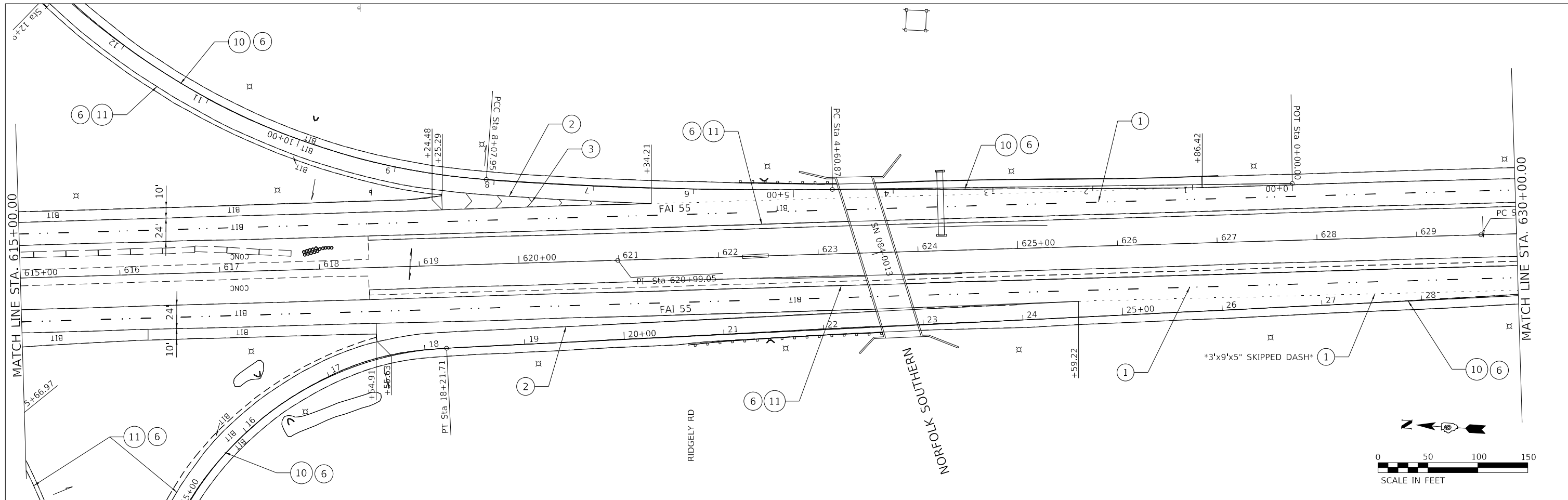
**STATE OF ILLINOIS
DEPARTMENT OF TRANSPORTATION**

**PAVEMENT MARKING PLAN
I-55 MAINLINE / SANGAMON AVE INTERCHANGE RAMP**

SCALE: 50 SHEET 1 OF 6 SHEETS STA. 558+00 TO STA. 615+00

F.A. RTE.	SECTION	COUNTY	TOTAL SHEETS	SHEET NO.
*	*	SANGAMON	28	20
CONTRACT NO. 72A75				
ILLINOIS FED. AID PROJECT				

* (84-2-2)RS-2,Q; (79Z)RS-6



MODEL: D:\default...
 FILE NAME: p:\blender-2016\benitez\com\PHWDOT\Documents\DOT Offices\District 6\Projects\0672A\35\CD\Draw_35\01\CD\Draw\Sheet\0672A\35\Sheet\pm\mk455_50_Scale.dgn

PAVEMENT MARKING LEGEND			
①	PREFORMED PLASTIC PAVEMENT MARKING, TYPE B - INLAID - LINE 5" (WHITE)	⑨	GROOVING FOR RECESSED PAVEMENT MARKINGS 13"
②	PREFORMED PLASTIC PAVEMENT MARKING, TYPE B - INLAID - LINE 8" (WHITE)	⑩	MODIFIED URETHANE PAVEMENT MARKING - LINE 5" (WHITE)
③	PREFORMED PLASTIC PAVEMENT MARKING, TYPE B - INLAID - LINE 12" (WHITE)	⑪	MODIFIED URETHANE PAVEMENT MARKING - LINE 5" (YELLOW)
④	PREFORMED PLASTIC PAVEMENT MARKING, TYPE B - INLAID - LINE 24" (WHITE)	⑫	MODIFIED URETHANE PAVEMENT MARKING - LINE 6" (WHITE)
⑤	PREFORMED PLASTIC PAVEMENT MARKING, TYPE B - INLAID - L & S (WHITE)	⑬	MODIFIED URETHANE PAVEMENT MARKING - LINE 8" (WHITE)
⑥	GROOVING FOR RECESSED PAVEMENT MARKINGS 6"	⑭	MODIFIED URETHANE PAVEMENT MARKING - LINE 12" (WHITE)
⑦	GROOVING FOR RECESSED PAVEMENT MARKINGS 7"	⑮	MODIFIED URETHANE PAVEMENT MARKING - LINE 12" (YELLOW)
⑧	GROOVING FOR RECESSED PAVEMENT MARKINGS 9"		

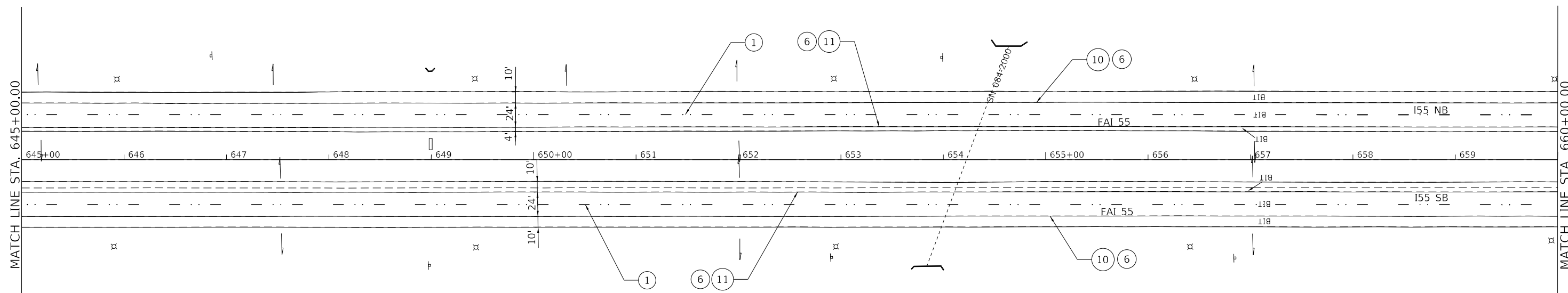
USER NAME = Robert.Miles	DESIGNED -	REVISED -
	DRAWN -	REVISED -
PLOT SCALE = 100.0000' / in.	CHECKED -	REVISED -
PLOT DATE = 12/21/2022	DATE -	REVISED -

STATE OF ILLINOIS
DEPARTMENT OF TRANSPORTATION

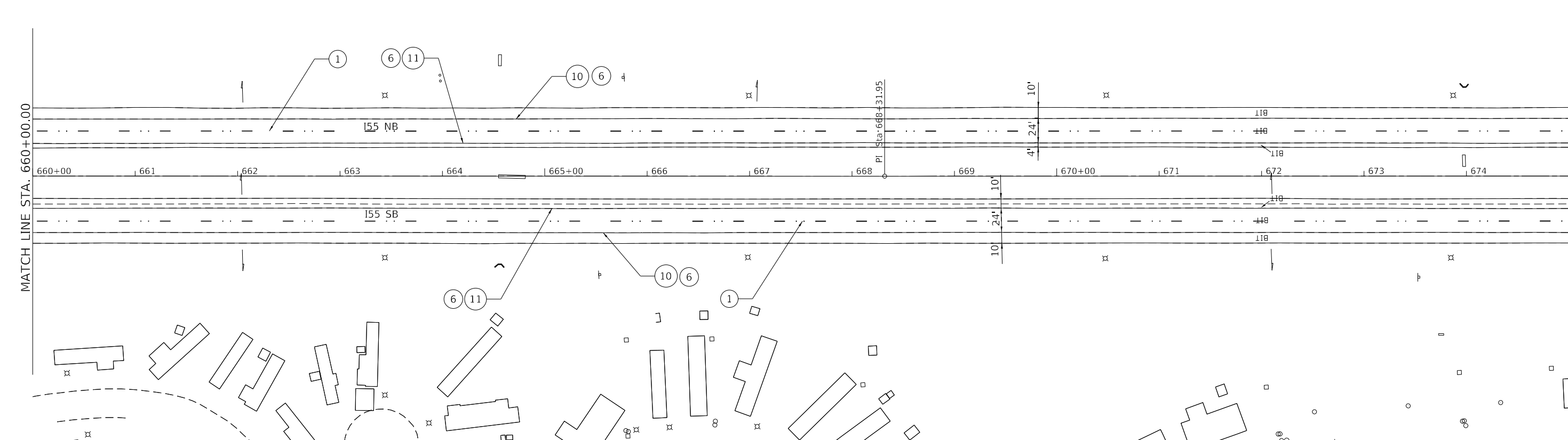
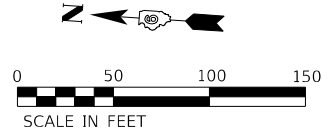
PAVEMENT MARKING PLAN			
I-55 MAINLINE / SANGAMON AVE INTERCHANGE RAMP			
SCALE: 50	SHEET 2	OF 6 SHEETS	STA. 615+00 TO STA. 645+00

F.A. RTE.	SECTION	COUNTY	TOTAL SHEETS	SHEET NO.
*	*	SANGAMON	28	21
CONTRACT NO. 72A75				
ILLINOIS FED. AID PROJECT				

* (84-2-2)RS-2,Q; (79Z)RS-6



PAVEMENT MARKING LEGEND			
①	PREFORMED PLASTIC PAVEMENT MARKING, TYPE B - INLAID - LINE 5" (WHITE)	⑨	GROOVING FOR RECESSED PAVEMENT MARKINGS 13"
②	PREFORMED PLASTIC PAVEMENT MARKING, TYPE B - INLAID - LINE 8" (WHITE)	⑩	MODIFIED URETHANE PAVEMENT MARKING - LINE 5" (WHITE)
③	PREFORMED PLASTIC PAVEMENT MARKING, TYPE B - INLAID - LINE 12" (WHITE)	⑪	MODIFIED URETHANE PAVEMENT MARKING - LINE 5" (YELLOW)
④	PREFORMED PLASTIC PAVEMENT MARKING, TYPE B - INLAID - LINE 24" (WHITE)	⑫	MODIFIED URETHANE PAVEMENT MARKING - LINE 6" (WHITE)
⑤	PREFORMED PLASTIC PAVEMENT MARKING, TYPE B - INLAID - L & S (WHITE)	⑬	MODIFIED URETHANE PAVEMENT MARKING - LINE 8" (WHITE)
⑥	GROOVING FOR RECESSED PAVEMENT MARKINGS 6"	⑭	MODIFIED URETHANE PAVEMENT MARKING - LINE 12" (WHITE)
⑦	GROOVING FOR RECESSED PAVEMENT MARKINGS 7"	⑮	MODIFIED URETHANE PAVEMENT MARKING - LINE 12" (YELLOW)
⑧	GROOVING FOR RECESSED PAVEMENT MARKINGS 9"		



USER NAME = Robert.Miles	DESIGNED -	REVISED -
	DRAWN -	REVISED -
PLOT SCALE = 100.0000' / in.	CHECKED -	REVISED -
PLOT DATE = 12/21/2022	DATE -	REVISED -

**STATE OF ILLINOIS
DEPARTMENT OF TRANSPORTATION**

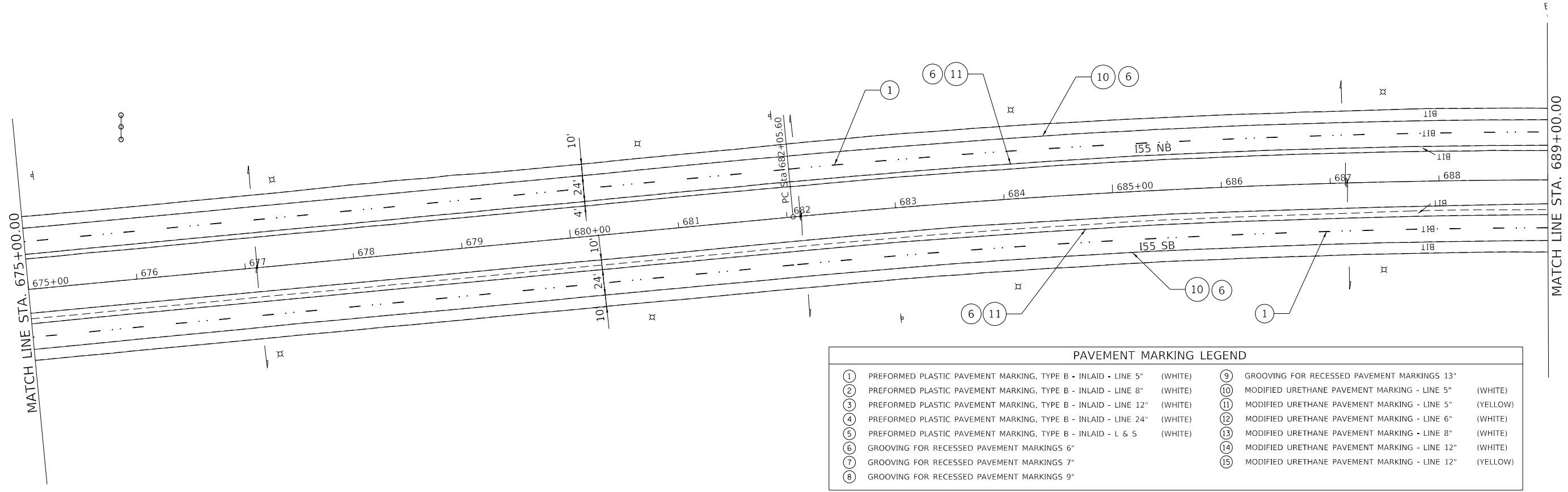
**PAVEMENT MARKING PLAN
I-55 MAINLINE / SANGAMON AVE INTERCHANGE RAMPS**

SCALE: 50 SHEET 3 OF 6 SHEETS STA. 645+00 TO STA. 675+00

F.A. RTE.	SECTION	COUNTY	TOTAL SHEETS	SHEET NO.
*	*	SANGAMON	28	22
CONTRACT NO. 72A75				
ILLINOIS FED. AID PROJECT				

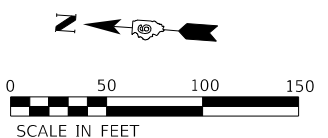
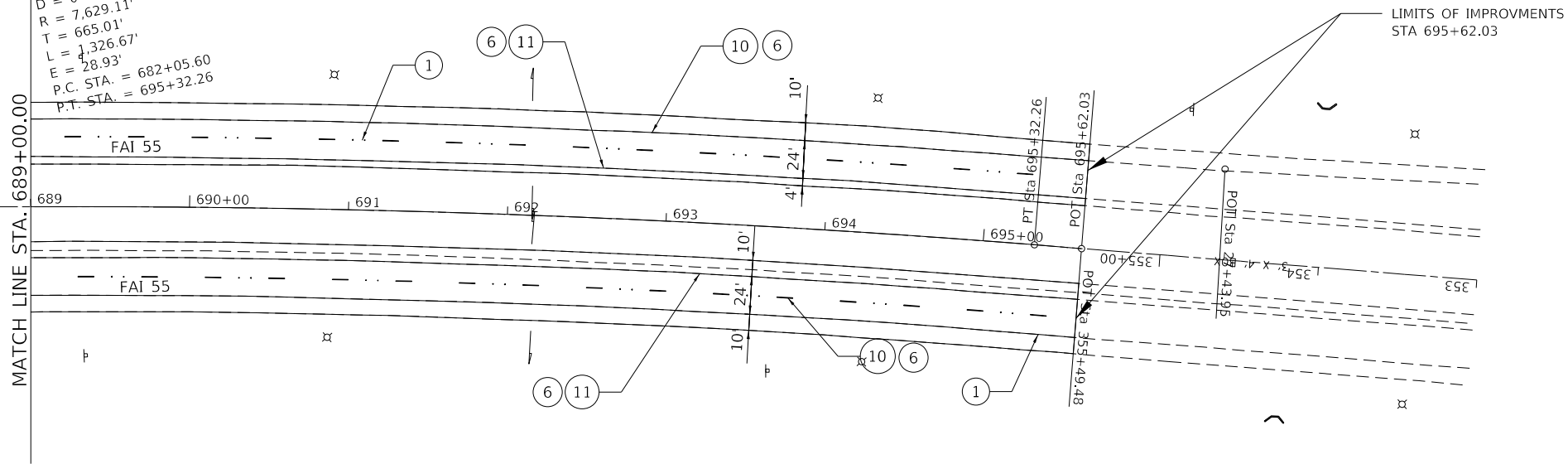
* (84-2-2)RS-2,Q: (79Z)RS-6

MODEL: Default
 FILE NAME: p:\blider\sw\benlley.com\PHWDOT\Documents\DOT Offices\District 6\Projects\0672A75\CADD\data_55\0\CD\06\sheet\0672A75\p1mk-55_50_Scale.dgn



PAVEMENT MARKING LEGEND					
①	PREFORMED PLASTIC PAVEMENT MARKING, TYPE B - INLAID - LINE 5"	(WHITE)	⑨	GROOVING FOR RECESSED PAVEMENT MARKINGS 13"	
②	PREFORMED PLASTIC PAVEMENT MARKING, TYPE B - INLAID - LINE 8"	(WHITE)	⑩	MODIFIED URETHANE PAVEMENT MARKING - LINE 5"	(WHITE)
③	PREFORMED PLASTIC PAVEMENT MARKING, TYPE B - INLAID - LINE 12"	(WHITE)	⑪	MODIFIED URETHANE PAVEMENT MARKING - LINE 5"	(YELLOW)
④	PREFORMED PLASTIC PAVEMENT MARKING, TYPE B - INLAID - LINE 24"	(WHITE)	⑫	MODIFIED URETHANE PAVEMENT MARKING - LINE 6"	(WHITE)
⑤	PREFORMED PLASTIC PAVEMENT MARKING, TYPE B - INLAID - L & S	(WHITE)	⑬	MODIFIED URETHANE PAVEMENT MARKING - LINE 8"	(WHITE)
⑥	GROOVING FOR RECESSED PAVEMENT MARKINGS 6"		⑭	MODIFIED URETHANE PAVEMENT MARKING - LINE 12"	(WHITE)
⑦	GROOVING FOR RECESSED PAVEMENT MARKINGS 7"		⑮	MODIFIED URETHANE PAVEMENT MARKING - LINE 12"	(YELLOW)
⑧	GROOVING FOR RECESSED PAVEMENT MARKINGS 9"				

EXIST. CURVE 688
 PI STA. = 688+70.61
 $\Delta = 9^\circ 57' 48''$ (RT)
 $D = 0^\circ 45' 04''$
 $R = 7,629.11'$
 $T = 665.01'$
 $L = 1,326.67'$
 $E = 28.93'$
 P.C. STA. = 682+05.60
 P.T. STA. = 695+32.26



MODEL: Default
 FILE: MainE_pva\ludac-cw\benfley.com\PHWDOT\Documents\DOT Offices\District 6\Projects\0672A75\CD\Draws_S5\01\CD\Draws\0672A75-SP-PM-455_50_Scale.dgn

USER NAME = Robert.Miles	DESIGNED -	REVISED -
	DRAWN -	REVISED -
PLOT SCALE = 100,0000' / in.	CHECKED -	REVISED -
PLOT DATE = 12/21/2022	DATE -	REVISED -

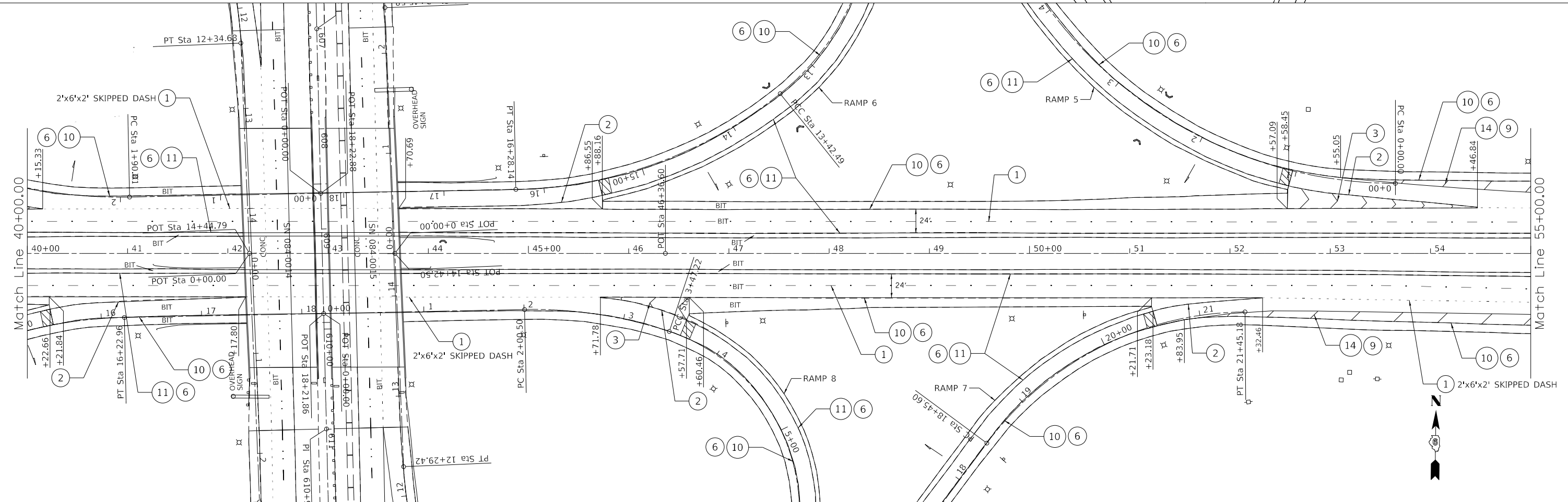
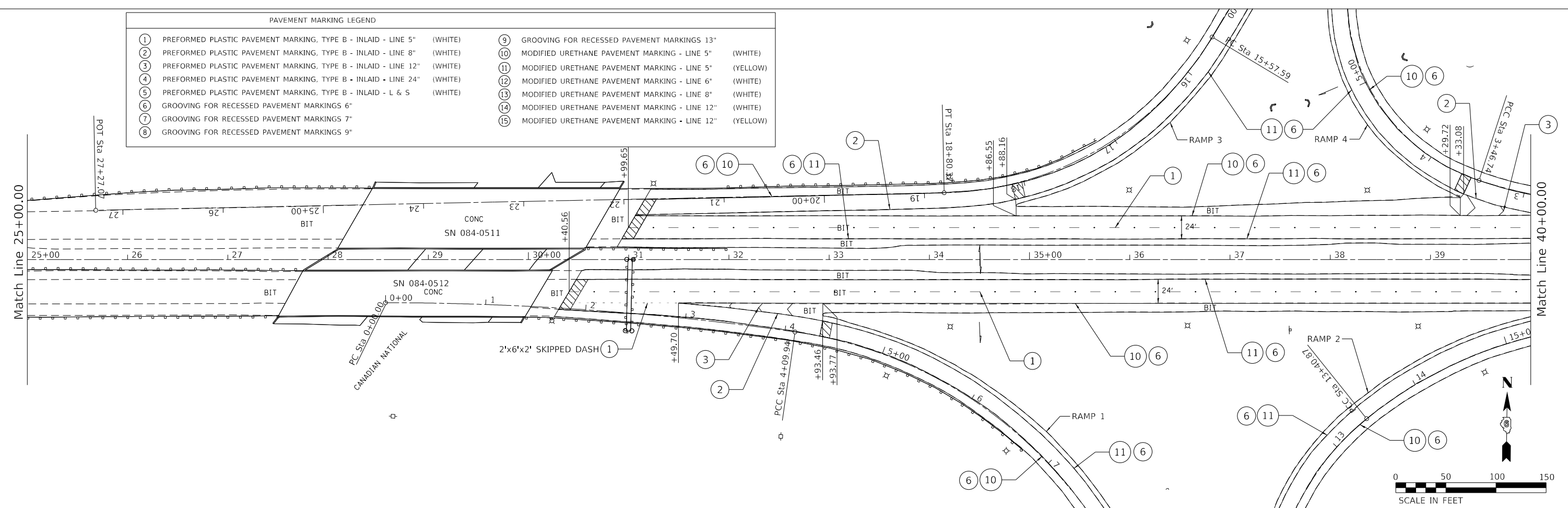
STATE OF ILLINOIS
DEPARTMENT OF TRANSPORTATION

PAVEMENT MARKING PLAN			
I-55 MAINLINE / SANGAMON AVE INTERCHANGE RAMP			
SCALE: 50	SHEET 4	OF 6 SHEETS	STA. 675+00 TO STA. 695+62.03

F.A.* RTE.	SECTION	COUNTY	TOTAL SHEETS	SHEET NO.
*	*	SANGAMON	28	23
CONTRACT NO. 72A75				

* (84-2-2)RS-2,Q: (79Z)RS-6

PAVEMENT MARKING LEGEND			
①	PREFORMED PLASTIC PAVEMENT MARKING, TYPE B - INLAID - LINE 5" (WHITE)	⑨	GROOVING FOR RECESSED PAVEMENT MARKINGS 13"
②	PREFORMED PLASTIC PAVEMENT MARKING, TYPE B - INLAID - LINE 8" (WHITE)	⑩	MODIFIED URETHANE PAVEMENT MARKING - LINE 5" (WHITE)
③	PREFORMED PLASTIC PAVEMENT MARKING, TYPE B - INLAID - LINE 12" (WHITE)	⑪	MODIFIED URETHANE PAVEMENT MARKING - LINE 5" (YELLOW)
④	PREFORMED PLASTIC PAVEMENT MARKING, TYPE B - INLAID - LINE 24" (WHITE)	⑫	MODIFIED URETHANE PAVEMENT MARKING - LINE 6" (WHITE)
⑤	PREFORMED PLASTIC PAVEMENT MARKING, TYPE B - INLAID - L & S (WHITE)	⑬	MODIFIED URETHANE PAVEMENT MARKING - LINE 8" (WHITE)
⑥	GROOVING FOR RECESSED PAVEMENT MARKINGS 6"	⑭	MODIFIED URETHANE PAVEMENT MARKING - LINE 12" (WHITE)
⑦	GROOVING FOR RECESSED PAVEMENT MARKINGS 7"	⑮	MODIFIED URETHANE PAVEMENT MARKING - LINE 12" (YELLOW)
⑧	GROOVING FOR RECESSED PAVEMENT MARKINGS 9"		



MODEL: Default
 FILE NAME: p:\blider-cw-bentley.com\PROJECTS\DOT\Documents\DOT Offices\District 6\Projects\0672475\CD\Drawn\5510\CD\Drawn\Sheet\0672475-5-PAVEMENT MARKING PLAN.dgn

USER NAME = Robert.Miles	DESIGNED -	REVISED -
	DRAWN -	REVISED -
PLOT SCALE = 100.0000' / in.	CHECKED -	REVISED -
PLOT DATE = 12/21/2022	DATE -	REVISED -

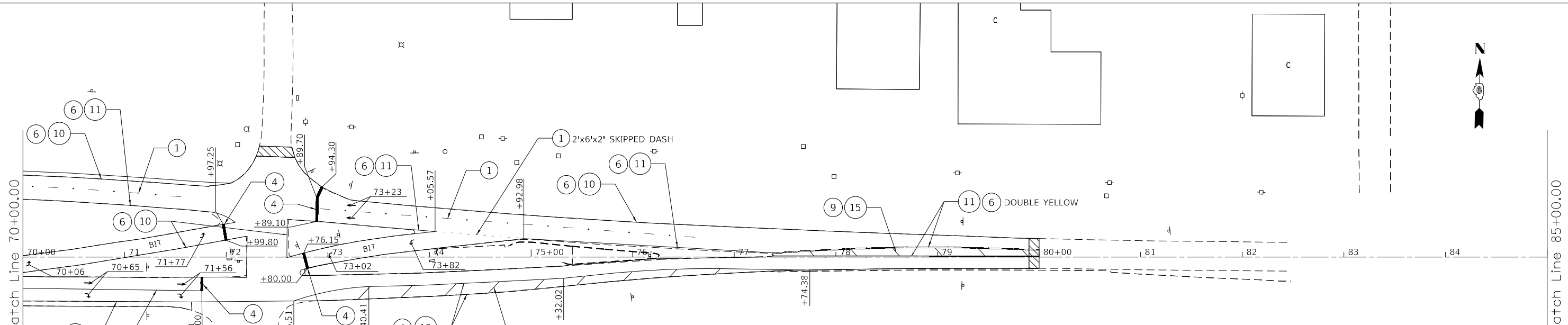
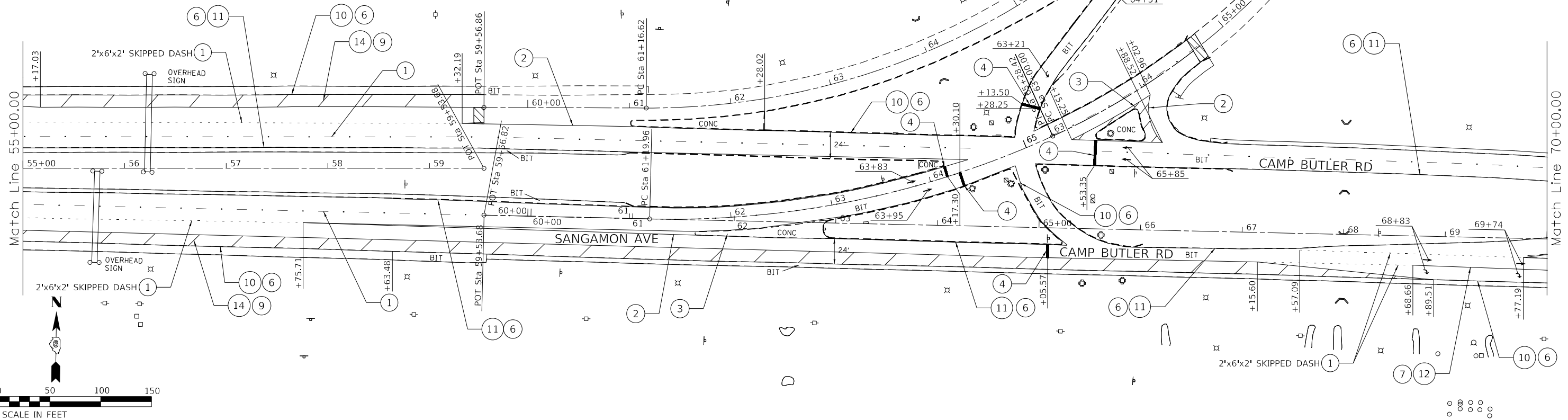
STATE OF ILLINOIS
DEPARTMENT OF TRANSPORTATION

PAVEMENT MARKING PLAN
SANGAMON AVENUE / SANGAMON AVENUE INTERCHANGE RAMP

F.A.I. RTE.	SECTION	COUNTY	TOTAL SHEETS	SHEET NO.
55	*	SANGAMON	28	24
CONTRACT NO. 72A75				

SCALE: 50 SHEET 5 OF 6 SHEETS STA. 25+00 TO STA. 55+00

ILLINOIS FED. AID PROJECT
 * = (84-2-2)RS-2,Q; (792)RS-6



PAVEMENT MARKING LEGEND					
①	PREFORMED PLASTIC PAVEMENT MARKING, TYPE B - INLAID - LINE 5"	(WHITE)	⑪	MODIFIED URETHANE PAVEMENT MARKING - LINE 5"	(YELLOW)
②	PREFORMED PLASTIC PAVEMENT MARKING, TYPE B - INLAID - LINE 8"	(WHITE)	⑫	MODIFIED URETHANE PAVEMENT MARKING - LINE 6"	(WHITE)
③	PREFORMED PLASTIC PAVEMENT MARKING, TYPE B - INLAID - LINE 12"	(WHITE)	⑬	MODIFIED URETHANE PAVEMENT MARKING - LINE 8"	(WHITE)
④	PREFORMED PLASTIC PAVEMENT MARKING, TYPE B - INLAID - LINE 24"	(WHITE)	⑭	MODIFIED URETHANE PAVEMENT MARKING - LINE 12"	(WHITE)
⑤	PREFORMED PLASTIC PAVEMENT MARKING, TYPE B - INLAID - LETTERS AND SYMBOLS	(WHITE)	⑮	MODIFIED URETHANE PAVEMENT MARKING - LINE 12"	(YELLOW)
⑥	GROOVING FOR RECESSED PAVEMENT MARKINGS 6"				
⑦	GROOVING FOR RECESSED PAVEMENT MARKINGS 7"				
⑧	GROOVING FOR RECESSED PAVEMENT MARKINGS 9"				
⑨	GROOVING FOR RECESSED PAVEMENT MARKINGS 13"				
⑩	MODIFIED URETHANE PAVEMENT MARKING - LINE 5"	(WHITE)			

MODEL: D:\default...
 FILE NAME: p:\blender-2024\blender\com\PHWDOT\Documents\DOT Offices\District 6\Projects\0672A\35\CD\Draw_5510\CD\Draw\Sheet\0672A_35-SP-Plan_SangamonAve.dgn

USER NAME = Robert.Miles	DESIGNED -	REVISED -
	DRAWN -	REVISED -
PLOT SCALE = 100,0000' / in.	CHECKED -	REVISED -
PLOT DATE = 12/21/2022	DATE -	REVISED -

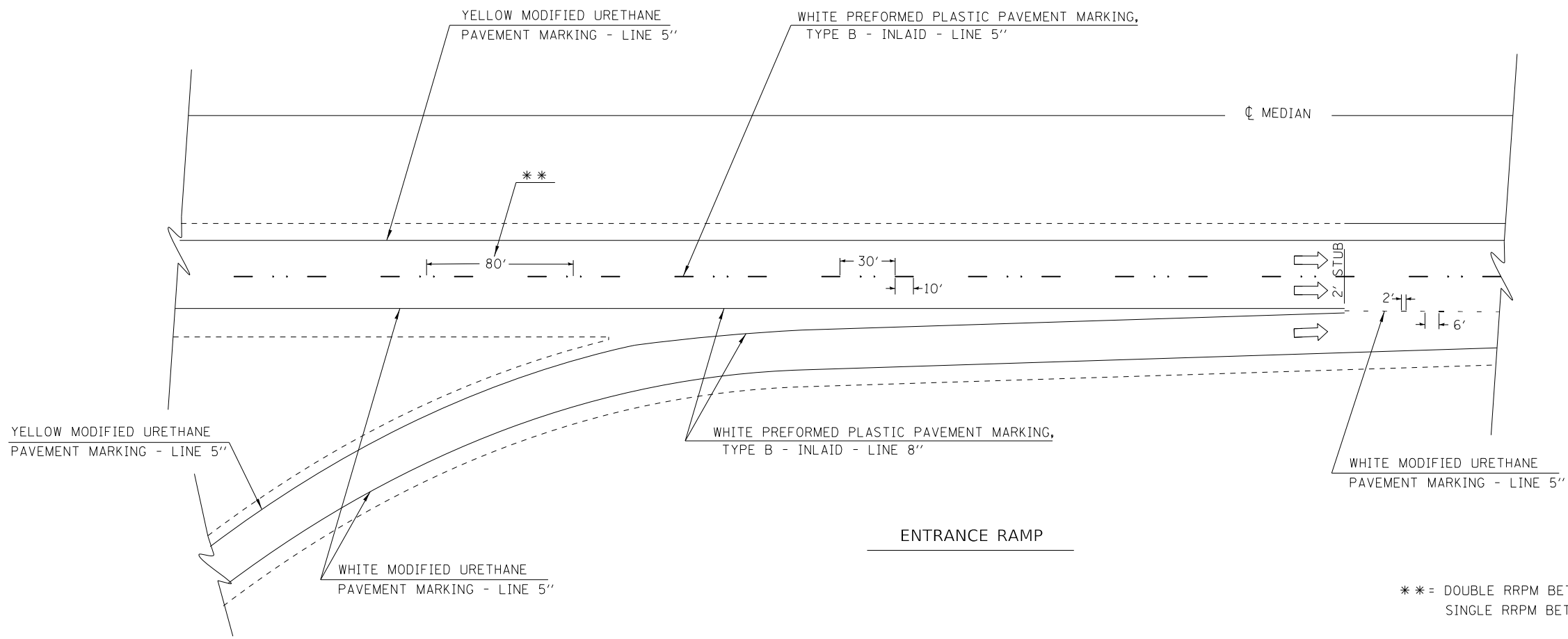
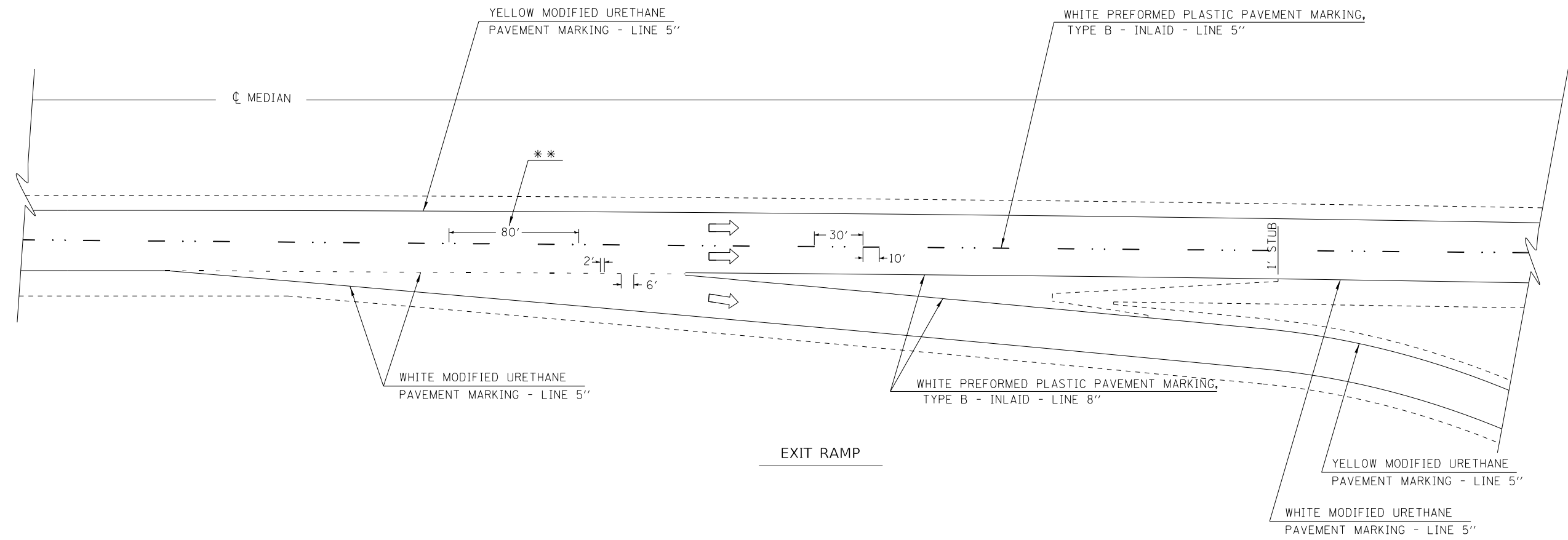
**STATE OF ILLINOIS
DEPARTMENT OF TRANSPORTATION**

**PAVEMENT MARKING PLAN
SANGAMON AVENUE / SANGAMON AVENUE INTERCHANGE RAMPS**

SCALE: 50 SHEET 6 OF 6 SHEETS STA. 55+00 TO STA. 85+00

F.A.I. RTE.	SECTION	COUNTY	TOTAL SHEETS	SHEET NO.
55	*	SANGAMON	28	25
CONTRACT NO. 72A75				

ILLINOIS FED. AID PROJECT
* = (84-2-2)RS-2-Q; (792)RS-6



** = DOUBLE RRPM BETWEEN SKIP DASHES ON I-55 MAINLINE
 SINGLE RRPM BETWEEN SKIP DASHES ON SANGAMON AVENUE

MODEL: Default
 FILE: MainE_pva\ludac-zw\benitez.com-PWIDOT\Documents\DOT Offices\District 6\Projects\0672A\35CAD\data_35\0\CAD\sheet\0672A_35-RR-detail.dgn

USER NAME = Robert.Miles	DESIGNED -	REVISED -
	DRAWN -	REVISED -
PLOT SCALE = 100,0000' / in.	CHECKED -	REVISED -
PLOT DATE = 12/21/2022	DATE -	REVISED -

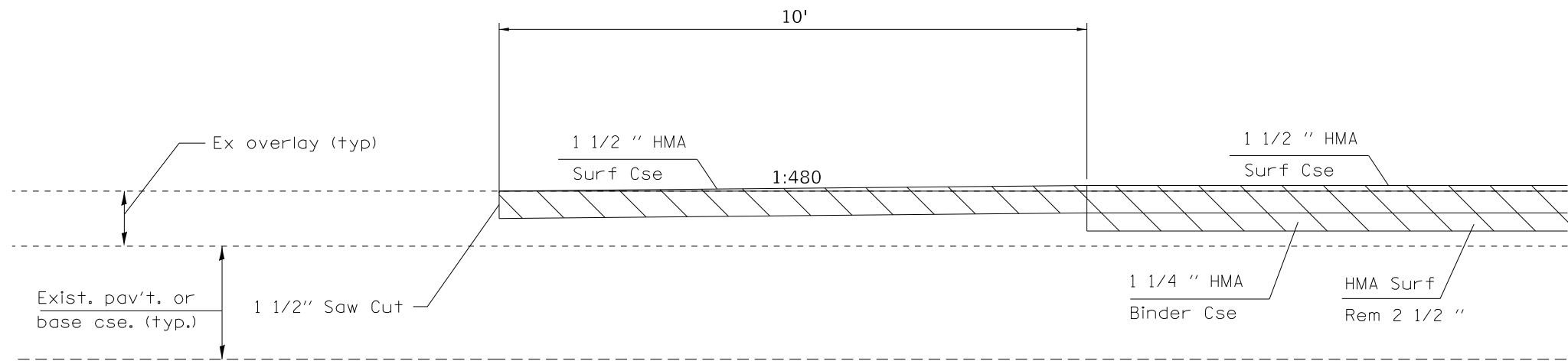
**STATE OF ILLINOIS
 DEPARTMENT OF TRANSPORTATION**

**MISCELLANEOUS DETAILS
 PAVEMENT MARKING**

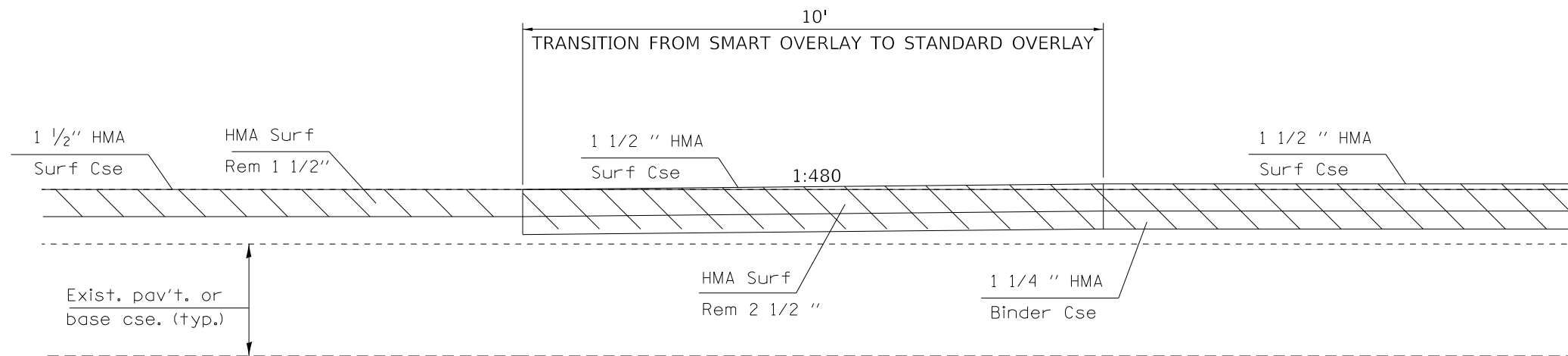
SCALE: N/A SHEET 1 OF 3 SHEETS STA. N/A TO STA. N/A

F.A.I. RTE.	SECTION	COUNTY	TOTAL SHEETS	SHEET NO.
55	*	SANGAMON	28	26
CONTRACT NO. 72A75				

ILLINOIS FED. AID PROJECT
 *(84-2-2)RS-2.Q; (79Z)RS-6



BUTT JOINT - SANGAMON AVE



OVERLAY THICKNESS TRANSITION -
I-55 RAMPS TO SANGAMON AVENUE

FIRST 10' AFTER SAW CUTS TO BE PAID
FOR AS HMA SURFACE REMOVAL - BUTT JOINT

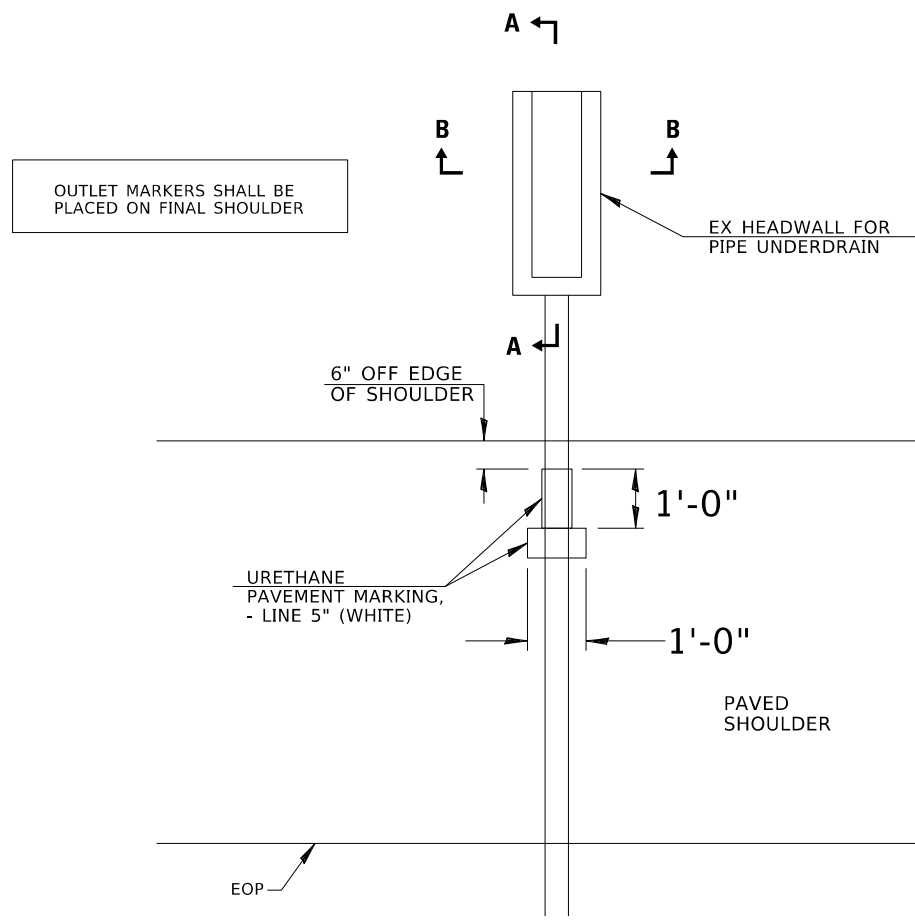
MODEL: Default
 FILE: MainE - pva\ludat-294\benlley.com-PWD\DOT\Documents\DOT Offices\District 6\Projects\0672A\35CADD\data_35\0\CAD\sheet\0672A_35-ft-detail.dgn

USER NAME = Robert.Miles	DESIGNED -	REVISED -
	DRAWN -	REVISED -
PLOT SCALE = 100.0000' / in.	CHECKED -	REVISED -
PLOT DATE = 12/21/2022	DATE -	REVISED -

STATE OF ILLINOIS
DEPARTMENT OF TRANSPORTATION

MISCELLANEOUS DETAILS			
HMA TRANSITIONS			
SCALE: N/A	SHEET 2	OF 3 SHEETS	STA. N/A TO STA. N/A

F.A.I. RTE.	SECTION	COUNTY	TOTAL SHEETS	SHEET NO.
55	*	SANGAMON	28	27
CONTRACT NO. 72A75				
ILLINOIS FED. AID PROJECT				
* = (84-2-2)RS-2,Q; (79Z)RS-6				



TYPICAL PIPE UNDERDRAIN MARKER DETAIL

MODEL: Default
 FILE NAME: p:\uldr-drw\benlley.com\PHWDOT\Documents\DOT Offices\District 6\Projects\0672A\35\CAD\data_35\0\CAD\sheet\0672A_35-ph-detail.dgn

USER NAME = Robert.Miles	DESIGNED -	REVISED -
	DRAWN -	REVISED -
PLOT SCALE = 100.0000' / in.	CHECKED -	REVISED -
PLOT DATE = 12/21/2022	DATE -	REVISED -

STATE OF ILLINOIS
 DEPARTMENT OF TRANSPORTATION

MISCELLANEOUS DETAILS
 UNDERDRAIN MARKER

SCALE: N/A SHEET 3 OF 3 SHEETS STA. N/A TO STA. N/A

F.A.I. RTE.	SECTION	COUNTY	TOTAL SHEETS	SHEET NO.
55	*	SANGAMON	28	28
CONTRACT NO. 72A75				

ILLINOIS FED. AID PROJECT
 *(84-2-2)RS-2,Q; (79Z)RS-6