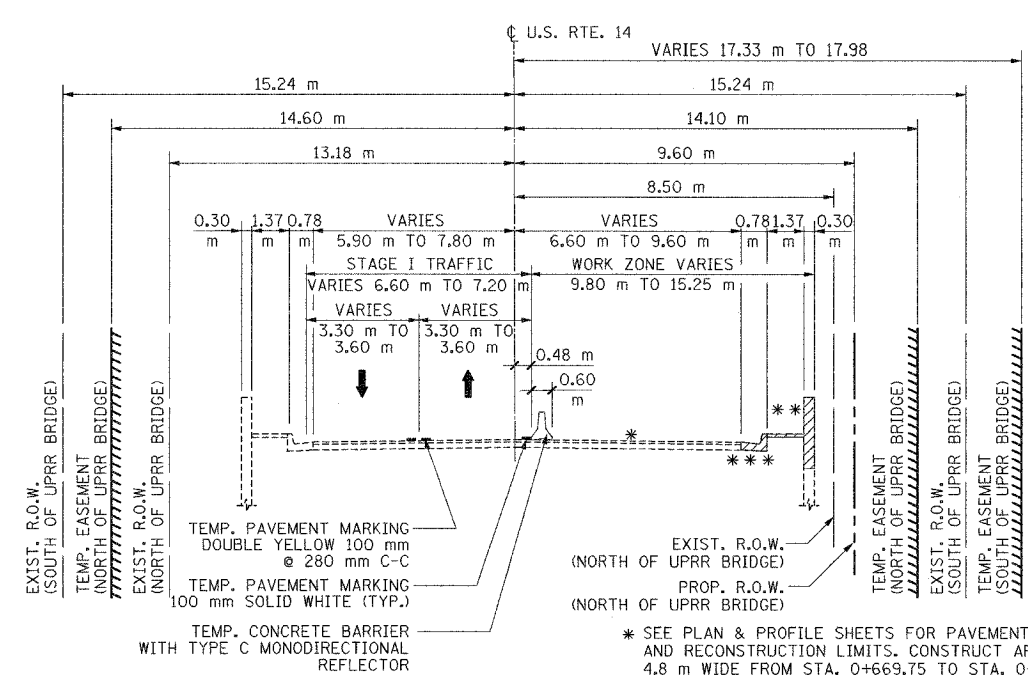
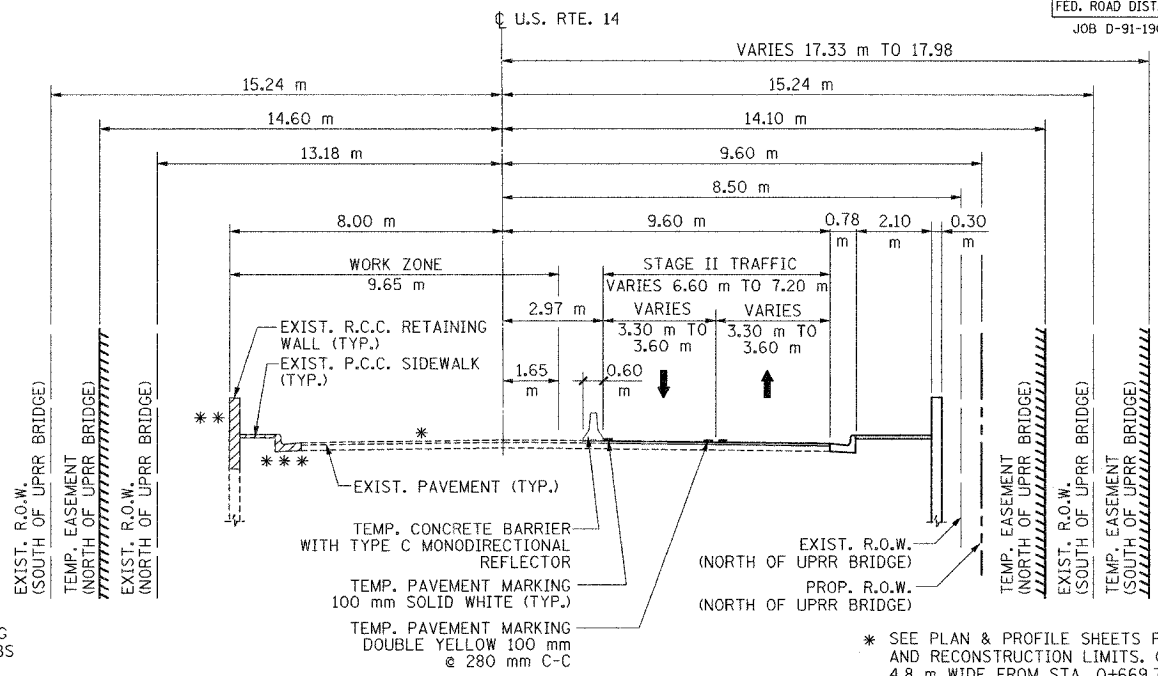


F.A.P. RTE.	SECTION	COUNTY	TOTAL SHEETS	SHEET NO.
303	29R-T	McHENRY	88	16
STA.	0+645.16	TO STA.	1+026.98	
FED. ROAD DIST. NO. 1	ILLINOIS FED. AID PROJECT			
JOB D-91-190-01			CONTRACT NO. 62202	



STAGE I
 STA. 0+645.16 TO STA. 0+686.19
 STA. 0+874.42 TO STA. 0+948.66
 STA. 964.46 TO STA. 1+026.98
 LOOKING SOUTH

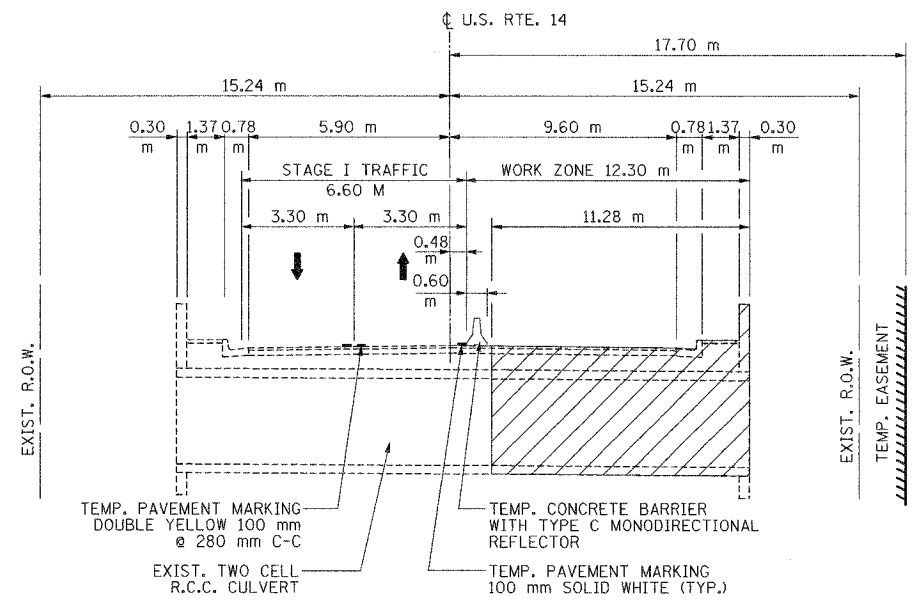
* SEE PLAN & PROFILE SHEETS FOR PAVEMENT RESURFACING AND RECONSTRUCTION LIMITS. CONSTRUCT APPROACH SLABS 4.8 m WIDE FROM STA. 0+669.75 TO STA. 0+679.65 AND STA. 0+875.33 TO STA. 0+885.23 (BOTH APPROACH SLABS INCLUDES BRIDGE APPROACH CONNECTOR P.C.C.)
 ** FOR CONCRETE REMOVAL, SEE STRUCTURE PLANS
 *** FOR CURB & GUTTER REMOVAL, SEE EXIST. & PROP. TYPICAL SECTIONS



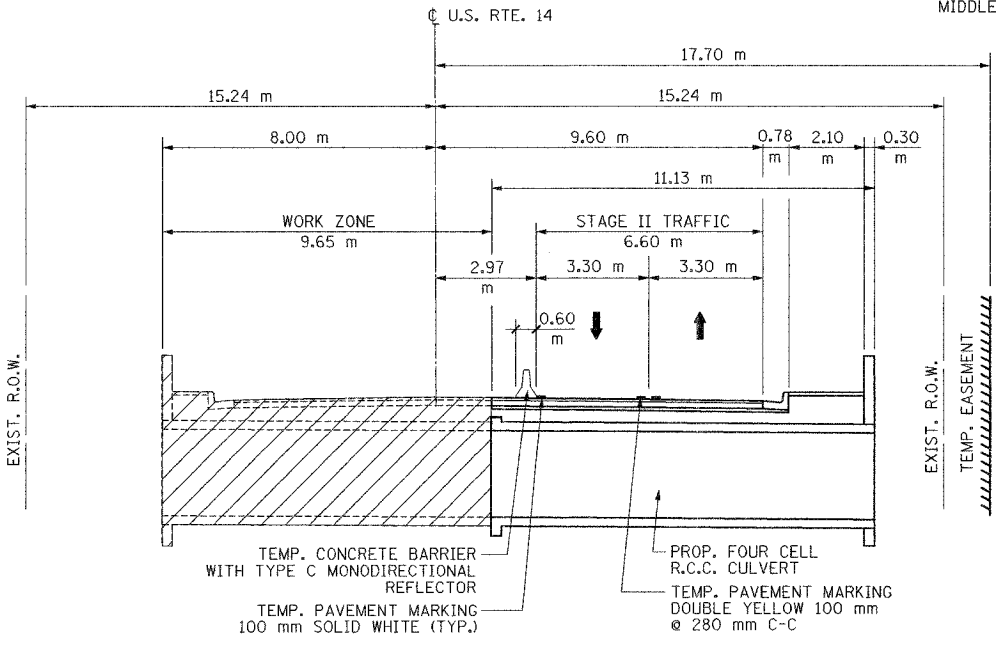
STAGE II
 STA. 0+645.16 TO STA. 0+686.19
 STA. 0+874.42 TO STA. 0+948.66
 STA. 964.46 TO STA. 1+026.98
 LOOKING SOUTH

* SEE PLAN & PROFILE SHEETS FOR PAVEMENT RESURFACING AND RECONSTRUCTION LIMITS. CONSTRUCT APPROACH SLABS 4.8 m WIDE FROM STA. 0+669.75 TO STA. 0+679.65 AND STA. 0+875.33 TO STA. 0+885.23 (BOTH APPROACH SLABS INCLUDES BRIDGE APPROACH CONNECTOR P.C.C.)
 ** FOR CONCRETE REMOVAL, SEE STRUCTURE PLANS
 *** FOR CURB & GUTTER REMOVAL, SEE EXIST. & PROP. TYPICAL SECTIONS

STAGE III
 AFTER COMPLETION OF STAGE I & II CONSTRUCT MIDDLE PORTION OF NORTH & SOUTH APPROACH SLABS



STAGE I
 STA. 0+948.66 TO STA. 0+964.46
 LOOKING SOUTH



STAGE II
 STA. 0+948.66 TO STA. 0+964.46
 LOOKING SOUTH

LEGEND:
 REMOVAL ITEM

REVISIONS	
NAME	DATE

ILLINOIS DEPARTMENT OF TRANSPORTATION
 US 14 - MOKELER CREEK TO N. OF IL. 173 AND AT UPRR
 SUGGESTED STAGING AND TRAFFIC CONTROL PLAN TYPICAL SECTIONS
 SCALE: VERT: NONE
 HORIZ. DRAWN BY R.A.D.
 DATE: FEBRUARY, 2005 CHECKED BY DR. SJJ

SOODAN & ASSOCIATES INC.
 Architects, Engineers & Construction Consultants