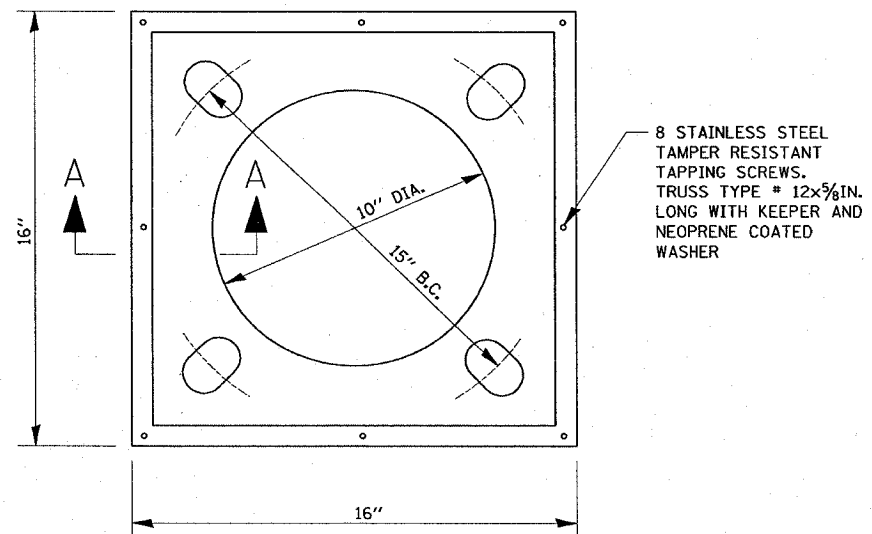
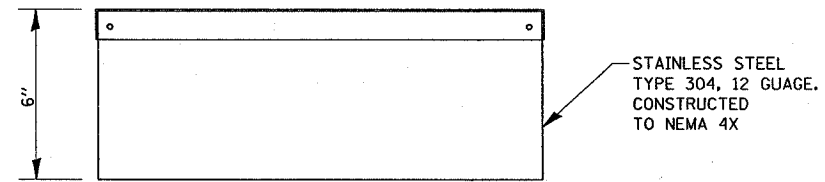
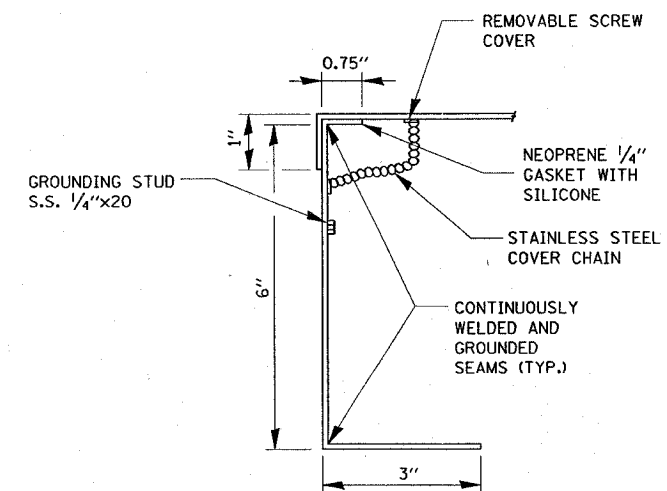


FAP ROUTE	SECTION	COUNTY	TOTAL SHEETS	SHEET NO.
303	29R-T	McHENRY	88	39C
STA.		TO STA.		
FED. ROAD DIST. NO. 1	ILLINOIS	FED. AID PROJECT		

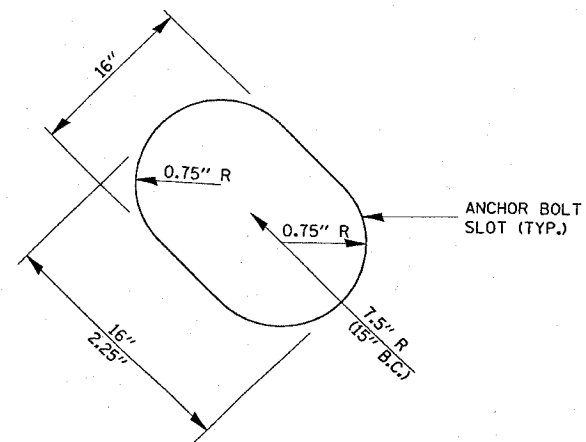
62202



BOX



SECTION A-A



REVISIONS		ILLINOIS DEPARTMENT OF TRANSPORTATION U.S. RTE. 14 OVER MOKELER CREEK POLE FOUNDATION CAP BOX DETAIL
NAME	DATE	

SCALE NONE  
DATE 3/11/2005

DRAWN BY  
CHECKED BY