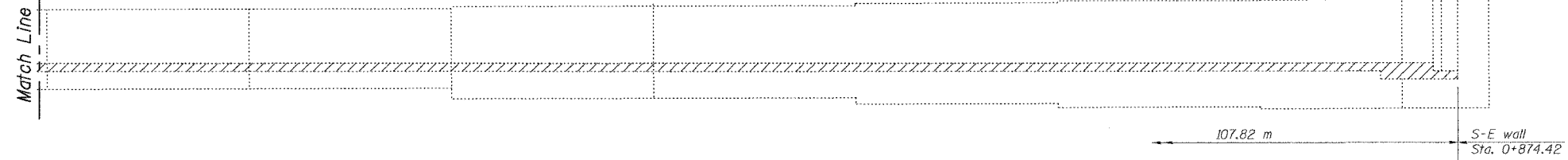


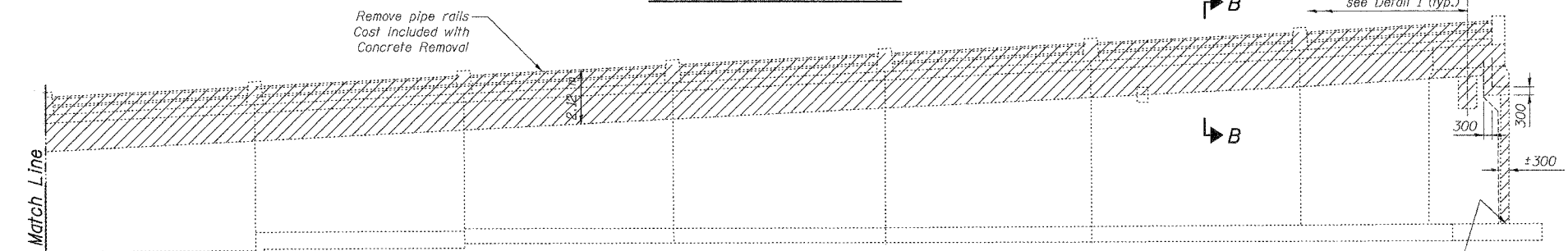
STATE OF ILLINOIS  
DEPARTMENT OF TRANSPORTATION

ROUTE NO.	DISTRICT	COUNTY	SHEET NO.	TOTAL SHEETS
U.S. 14	29R-T	McHENRY	88	45
F.A.P. 383				
FED. ROAD DIST. NO. 1	ILLINOIS	FED. AID PROJECT		

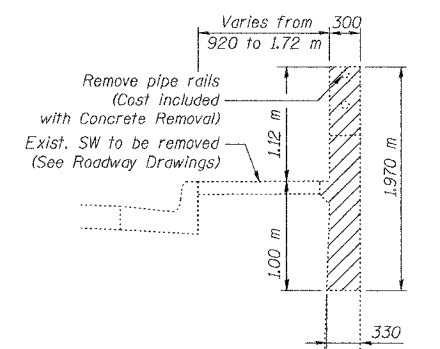
CONTRACT NO. 62202



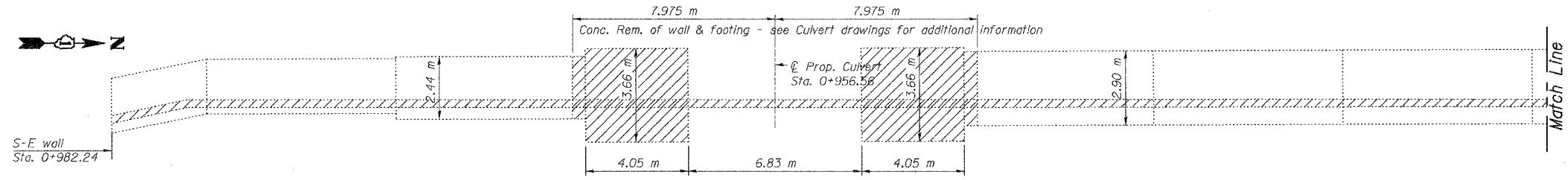
PLAN (SOUTH-EAST WALL)



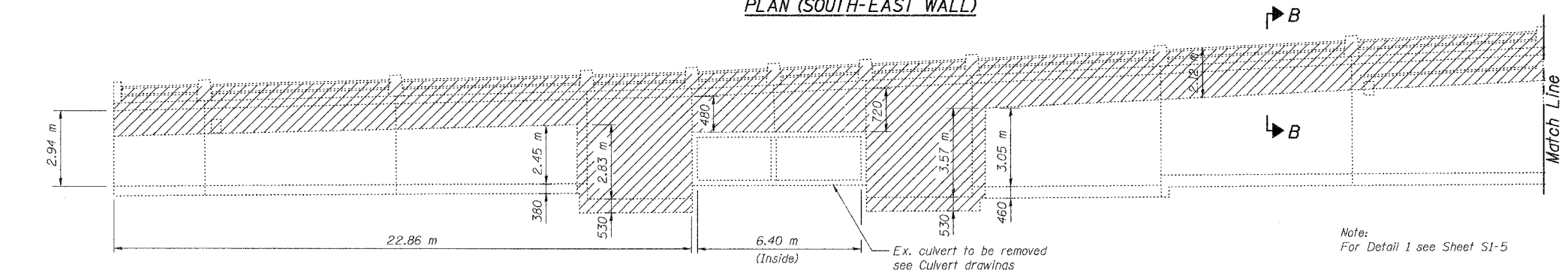
ELEVATION (SOUTH-EAST WALL)  
(Looking West)



SECTION B-B



PLAN (SOUTH-EAST WALL)



ELEVATION (SOUTH-EAST WALL)  
(Looking West)

Note:  
For Detail 1 see Sheet S1-5

DESIGNED	J.S./R.A.
CHECKED	H.T./N.S.
DRAWN	J.S.
CHECKED	H.T./M.R.

**Soodan**  
Soodan & Associates, Inc.  
Architect, Engineers & Construction Consultants  
630 North LaSalle Street, Suite 900  
Chicago, Illinois 60602  
Tel: 312/553-0003 Fax: 312/553-8006  
E-Mail: [transport@soodan.com](mailto:transport@soodan.com)

Sheet S1-6 of 37  
**EXISTING RETAINING WALL REMOVAL  
SOUTH-EAST WALL**  
U.S. 14 RETAINING WALLS  
AT MOKELER CREEK  
SECTION 29R-T  
McHENRY COUNTY  
STA. 0+647.90 TO STA. 0+982.78  
AT STRUCTURE NO. 056-0007  
Date: February, 2005 Scale: None