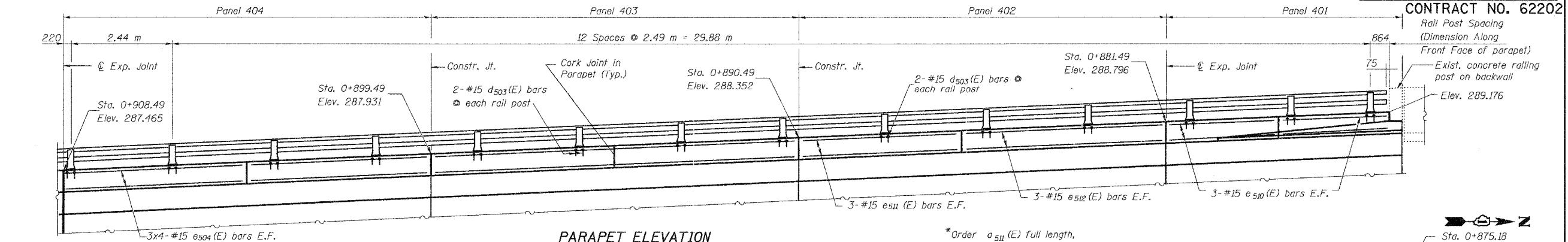


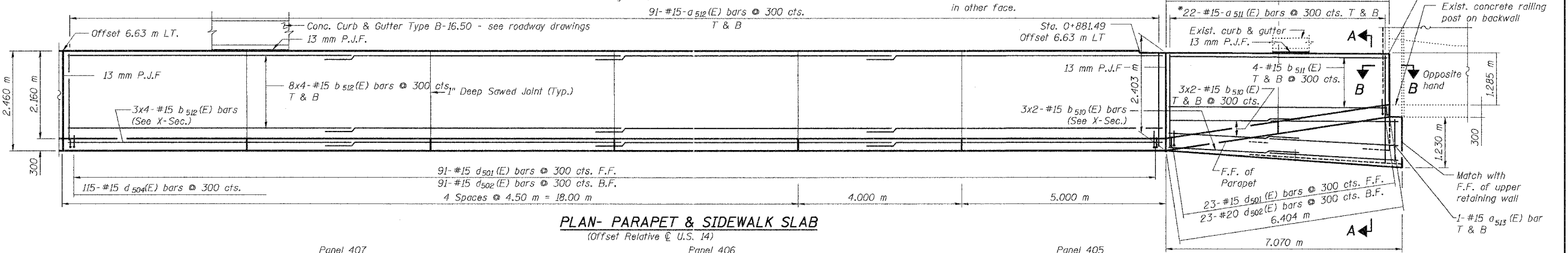
STATE OF ILLINOIS
DEPARTMENT OF TRANSPORTATION

ROUTE NO.	SECTION	COUNTY	SHEET	OF
U.S. 14	29R-T	McHENRY	88	63
F.A.P. 383				
FED. ROAD DIST. NO. 1	ALIGNMENT	FED. AID PROJECT		

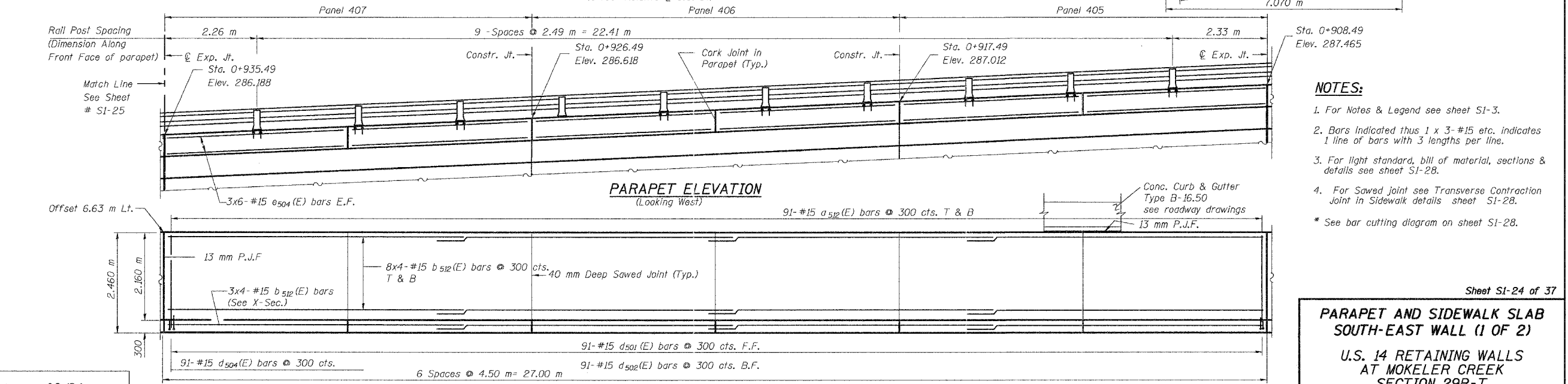
CONTRACT NO. 62202



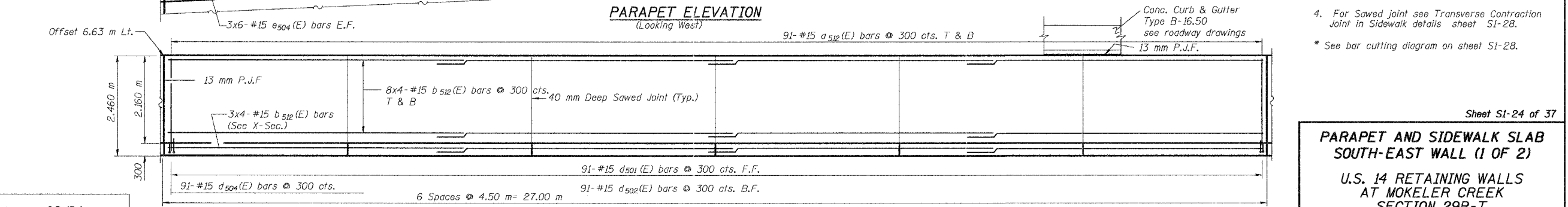
PARAPET ELEVATION
(Looking West)



PLAN- PARAPET & SIDEWALK SLAB
(Offset Relative to U.S. 14)



PARAPET ELEVATION
(Looking West)



PLAN- PARAPET & SIDEWALK SLAB
(Offset Relative to U.S. 14)

- NOTES:**
- For Notes & Legend see sheet S1-3.
 - Bars indicated thus 1 x 3-#15 etc. indicates 1 line of bars with 3 lengths per line.
 - For light standard, bill of material, sections & details see sheet S1-28.
 - For Sawn joint see Transverse Contraction Joint in Sidewalk details sheet S1-28.
- * See bar cutting diagram on sheet S1-28.

DESIGNED	J.S./R.A.
CHECKED	H.T./N.S.
DRAWN	J.S.
CHECKED	H.T./M.R.

Soodan
Soodan & Associates, Inc.
Structural, Electrical & Construction Consultants
150 North LaSalle Street, Suite 2000
Chicago, Illinois 60602
Tel: 312/253-0003 Fax: 312/253-0006
E-Mail: transport@soodan.com

Sheet S1-24 of 37

**PARAPET AND SIDEWALK SLAB
SOUTH-EAST WALL (1 OF 2)**

U.S. 14 RETAINING WALLS
AT MOKELER CREEK
SECTION 29R-T
McHENRY COUNTY
STA. 0+647.90 TO STA. 0+982.78
AT STRUCTURE NO. 056-0007

Date: February, 2005 Scale: None