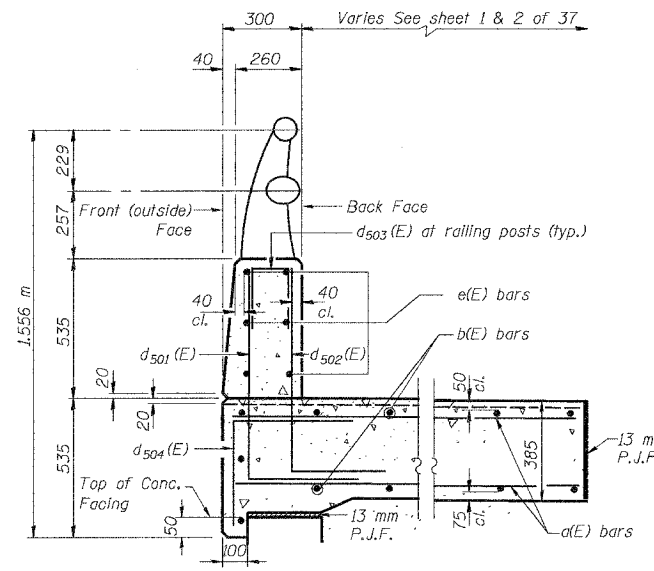


STATE OF ILLINOIS
DEPARTMENT OF TRANSPORTATION

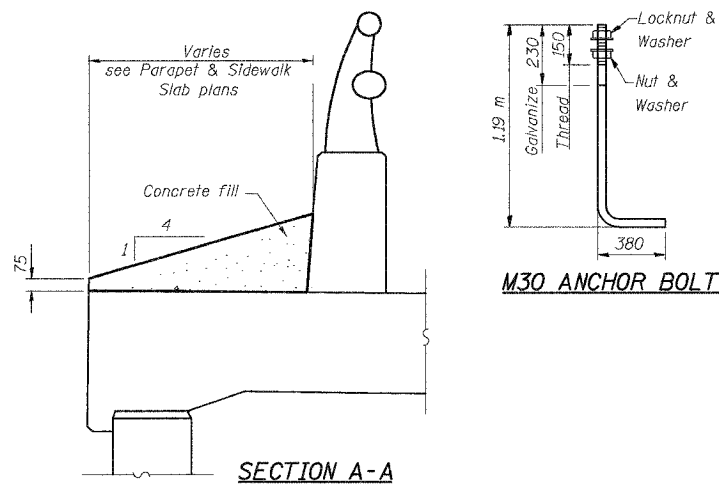
PARAPET AND SIDEWALK SLAB
BILL OF MATERIAL

ROUTE NO.	SECTION	COUNTY	SHEET	TOTAL
I.A.P. 383	29R-T	McHENRY	88	67
FED. ROAD DIST. NO. 1	BILLINGS	FED. AID PROJECT		

CONTRACT NO. 62202



SECTION THRU PARAPET AND SIDEWALK SLAB



SECTION A-A

NORTH EAST WALL

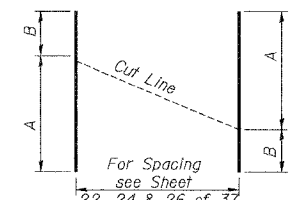
Bar	No.	Size	Length	Shape
d 514(E)	66	# 15	2.41	—
d 515(E)	48	# 15	4.72	—
a 516(E)	4	# 15	0.90	—
b 515(E)	38	# 15	8.36	—
b 516(E)	19	# 15	9.48	—
d 501(E)	81	# 15	1.05	—
d 502(E)	81	# 20	1.11	—
d 503(E)	16	# 15	0.61	—
d 504(E)	82	# 15	0.70	—
e 501(E)	6	# 15	3.60	—
e 504(E)	12	# 15	4.42	—
e 517(E)	6	# 15	5.12	—
e 518(E)	6	# 15	5.58	—

Reinforcement Bars, Epoxy Coated	Kg	2060
Concrete Superstructure	m ³	29.9
Protective Coat	Sq. m	63

NORTH WEST WALL

Bar	No.	Size	Length	Shape
a 501(E)	4	# 15	1.96	—
a 502(E)	19	# 15	5.22	—
a 503(E)	146	# 15	2.42	—
a 504(E)	19	# 15	4.54	—
a 505(E)	4	# 15	1.41	—
b 502(E)	42	# 15	3.07	—
b 503(E)	38	# 15	7.73	—
b 504(E)	38	# 15	3.60	—
b 505(E)	19	# 15	6.13	—
d 501(E)	104	# 15	1.05	—
d 502(E)	104	# 20	1.11	—
d 503(E)	24	# 15	0.61	—
d 504(E)	101	# 15	0.70	—
d 505(E)	3	# 20	1.39	—
d 506(E)	5	# 20	2.68	—
e 502(E)	6	# 15	5.94	—
e 503(E)	6	# 15	5.82	—
e 504(E)	12	# 15	4.42	—
e 505(E)	3	# 15	4.17	—
e 506(E)	3	# 15	4.00	—
e 507(E)	6	# 15	5.41	—

Reinforcement Bars, Epoxy Coated	Kg	2820
Concrete Superstructure	m ³	36.7
Protective Coat	Sq. m	88



FIELD CUTTING DIAGRAM

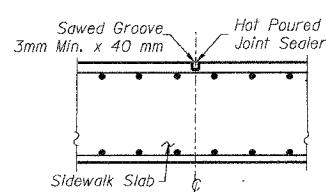
Order a502(E), a504(E), a511(E) & a521(E) bars full length. Cut to fit and use the remainder of bars in bottom of slab

FIELD CUT BARS

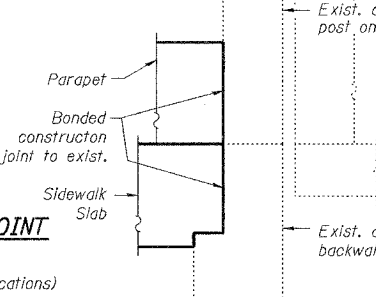
Bar	A	B
a502(E)	2.46	2.76
a504(E)	2.12	2.42
a511(E)	2.31	2.86
a521(E)	2.16	2.45

BENT BARS

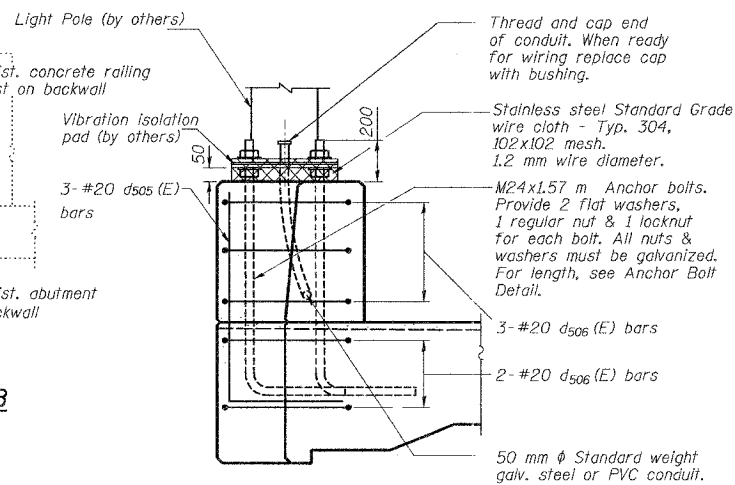
Bar	C	D
d501(E)	260	790
d502(E)	320	790
d504(E)	260	440
d505(E)	600	790



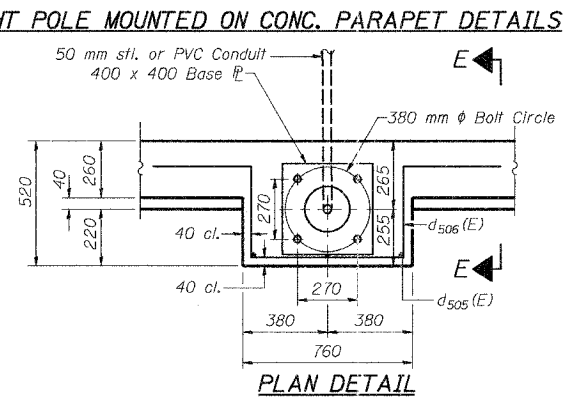
TRANSVERSE CONTRACTION JOINT IN SIDEWALK
(See Art. 420.10(d) of Standard Specifications)



PARAPET JOINT DETAILS



SECTION E-E
LIGHT POLE MOUNTED ON CONC. PARAPET DETAILS



PLAN DETAIL

SOUTH WEST WALL

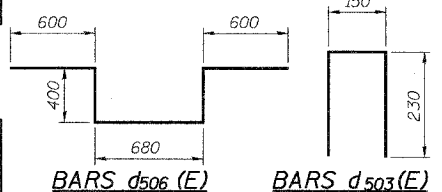
Bar	No.	Size	Length	Shape
a 521(E)	21	# 15	4.61	—
a 522(E)	580	# 15	2.45	—
a 523(E)	4	# 15	1.05	—
b 512(E)	152	# 15	7.23	—
b 514(E)	57	# 15	6.50	—
b 521(E)	6	# 15	5.90	—
b 522(E)	26	# 15	3.41	—
b 523(E)	19	# 15	6.00	—
b 524(E)	19	# 15	8.04	—
d 501(E)	311	# 15	1.05	—
d 502(E)	311	# 20	1.11	—
d 503(E)	74	# 15	0.61	—
d 504(E)	312	# 15	0.70	—
d 505(E)	3	# 20	1.39	—
d 506(E)	5	# 20	2.68	—
e 504(E)	48	# 15	4.42	—
e 511(E)	12	# 15	3.92	—
e 512(E)	12	# 15	4.92	—
e 514(E)	24	# 15	4.50	—
e 515(E)	12	# 15	3.62	—
e 516(E)	24	# 15	2.94	—

Reinforcement Bars, Epoxy Coated	Kg	8030
Concrete Superstructure	m ³	110.2
Protective Coat	Sq. m	273

SOUTH EAST WALL

Bar	No.	Size	Length	Shape
a 511(E)	22	# 15	5.17	—
a 512(E)	578	# 15	2.37	—
a 513(E)	2	# 15	1.15	—
b 510(E)	18	# 15	3.84	—
b 511(E)	8	# 15	6.23	—
b 512(E)	152	# 15	7.23	—
b 513(E)	38	# 15	6.86	—
b 514(E)	57	# 15	6.46	—
d 501(E)	312	# 15	1.05	—
d 502(E)	312	# 20	1.11	—
d 503(E)	74	# 15	0.61	—
d 504(E)	313	# 15	0.70	—
d 505(E)	3	# 20	1.39	—
d 506(E)	5	# 20	2.68	—
e 504(E)	72	# 15	4.42	—
e 510(E)	12	# 15	3.10	—
e 511(E)	6	# 15	3.92	—
e 512(E)	6	# 15	4.92	—
e 513(E)	6	# 15	4.09	—
e 514(E)	24	# 15	4.50	—

Reinforcement Bars, Epoxy Coated	Kg	7850
Concrete Superstructure	m ³	108.4
Protective Coat	Sq. m	268



BARS d506(E) BARS d503(E)

BARS

Bar	R (m)	Ø°	L (m)
e 504(E)	5.76	27°	3.60
e 505(E)	4.76	26°	2.15
e 506(E)	4.54	23°	2.05
e 507(E)	4.54	23°	1.81

NOTES:

- For Notes and Legend see sheet S1-3.
- Reinforcement bars designated (E) shall be epoxy coated.

Sheet S1-28 of 37

PARAPET AND SIDEWALK SLAB DETAILS
U.S. 14 RETAINING WALLS AT MOKELER CREEK
SECTION 29R-T
McHENRY COUNTY
STA. 0+647.90 TO STA. 0+982.78
AT STRUCTURE NO. 056-0007

Date: February, 2005 Scale: None

DESIGNED	J.S./R.A.
CHECKED	H.T./N.S.
DRAWN	J.S.
CHECKED	H.T./M.R.

Soodan
Soodan & Associates, Inc.
1400 North Lincoln Street, Suite 800
Chicago, Illinois 60602
Tel: 312/553-0003 Fax: 312/553-8006
E-Mail: transportation@soodan.com