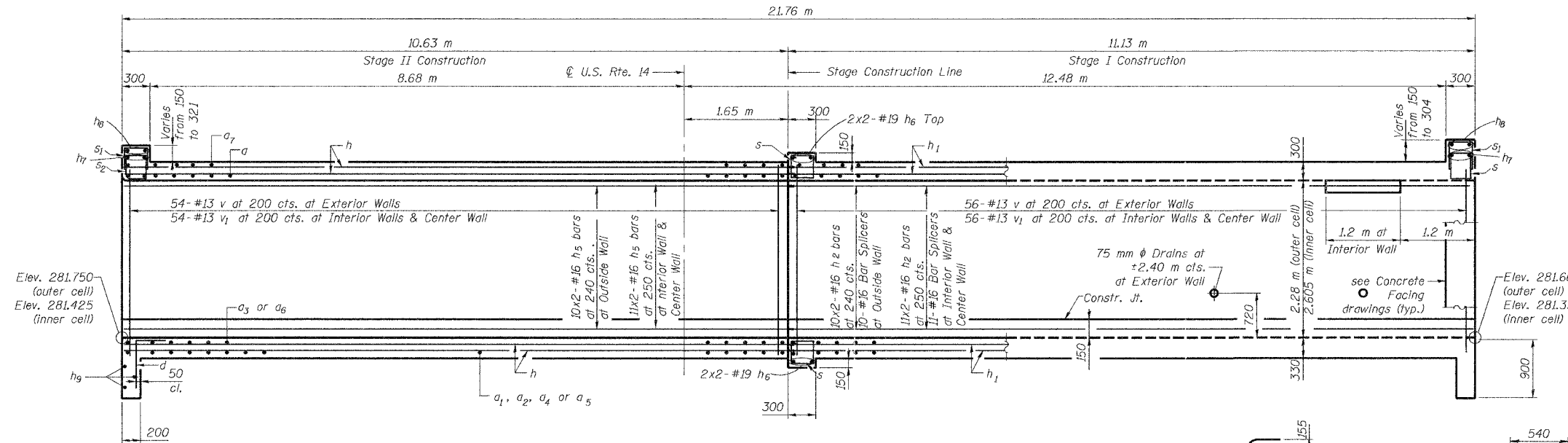


STATE OF ILLINOIS
DEPARTMENT OF TRANSPORTATION

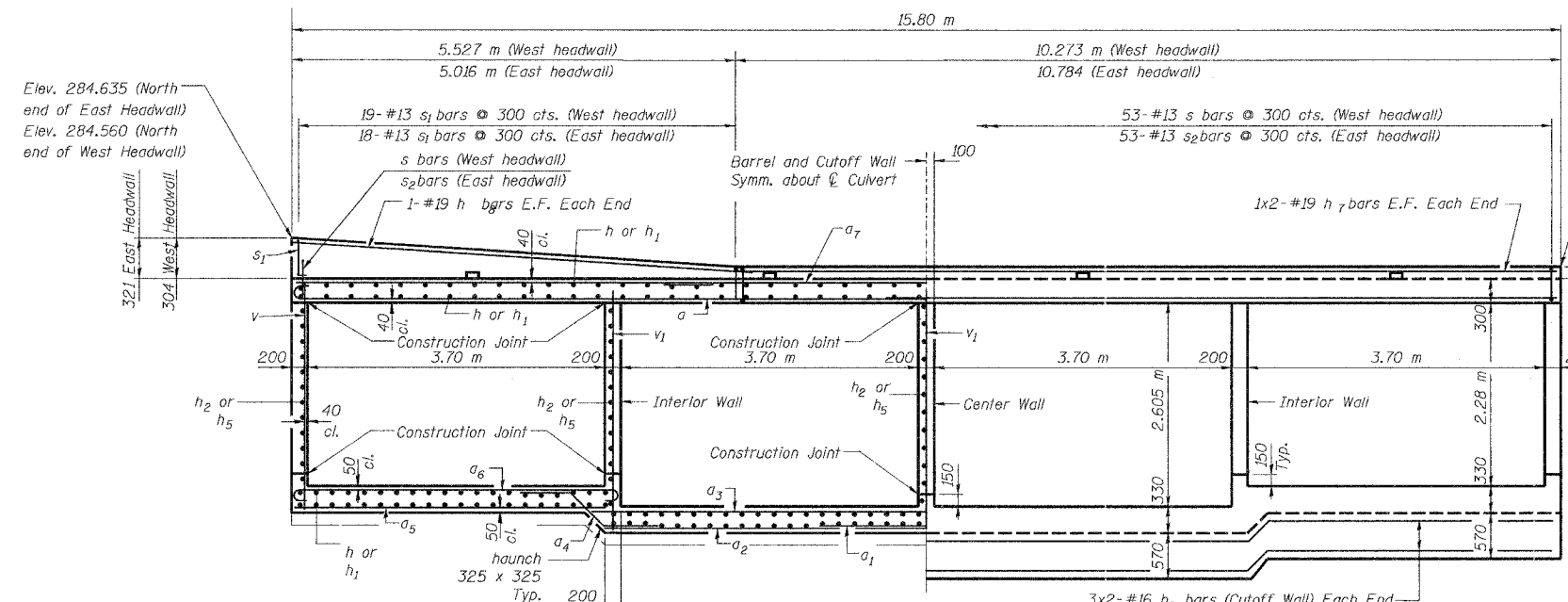
ROUTE NO.	SECTION	COUNTY	SHEET	TOTAL SHEETS
P.A. 383	29R-T	McHENRY	88	80
FED. ROAD DIST. NO. 1		ILLINOIS	FED. AID PROJECT	

CONTRACT NO. 62202
BILL OF MATERIAL



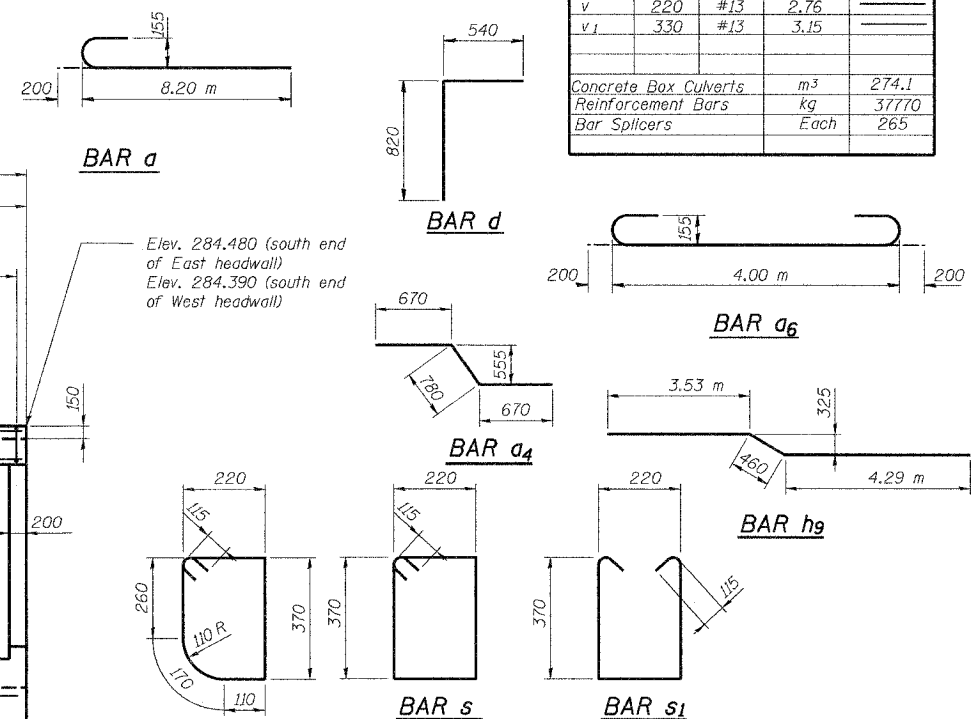
LONGITUDINAL SECTION
(Looking South)

Bar	No.	Size	Length (m)	Shape
a	294	#19	8.40	
a1	147	#19	2.44	
a2	147	#19	8.00	
a3	147	#19	8.58	
a4	294	#19	2.10	
a5	294	#19	4.00	
a6	294	#19	4.40	
a7	441	#19	5.70	
d	106	#13	1.22	
h	424	#16	5.59	
h1	424	#16	5.80	
h2	106	#16	5.85	
h3	181	#16	5.66	
h5	106	#16	5.52	
h6	8	#19	8.20	
h7	4	#19	5.71	
h8	2	#19	5.49	
h9	12	#16	8.28	
s	201	#13	1.41	
s1	9	#13	1.19	
s2	53	#13	1.24	
v	220	#13	2.76	
v1	330	#13	3.15	
Concrete Box Culverts			m ³	274.1
Reinforcement Bars			kg	37770
Bar Splicers			Each	265



HALF SECTION
THRU BARREL
Showing Reinforcement

HALF END ELEVATION
Showing Dimensions



MIN. BAR LAP
#13 - 440
#16 - 550
#19 - 670

DESIGNED	J.S. / R.A.
CHECKED	H.T. / N.U.S.
DRAWN	J.S.
CHECKED	H.T./M.R.

Soodan
Soodan & Associates, Inc.
Structural, Engineers & Construction Consultants
281 North LaSalle Street, Suite 800
Chicago, Illinois 60602
Tel: 312/253-0003 Fax: 312/253-1006
E-Mail: transport@soodan.com

CULVERT DETAILS

U.S. ROUTE 14
OVER MOKELER CREEK
SECTION 29R-T
McHENRY COUNTY
STA. 0+956.56
STRUCTURE NO. 056-0076

Date: February, 2005 Scale: None