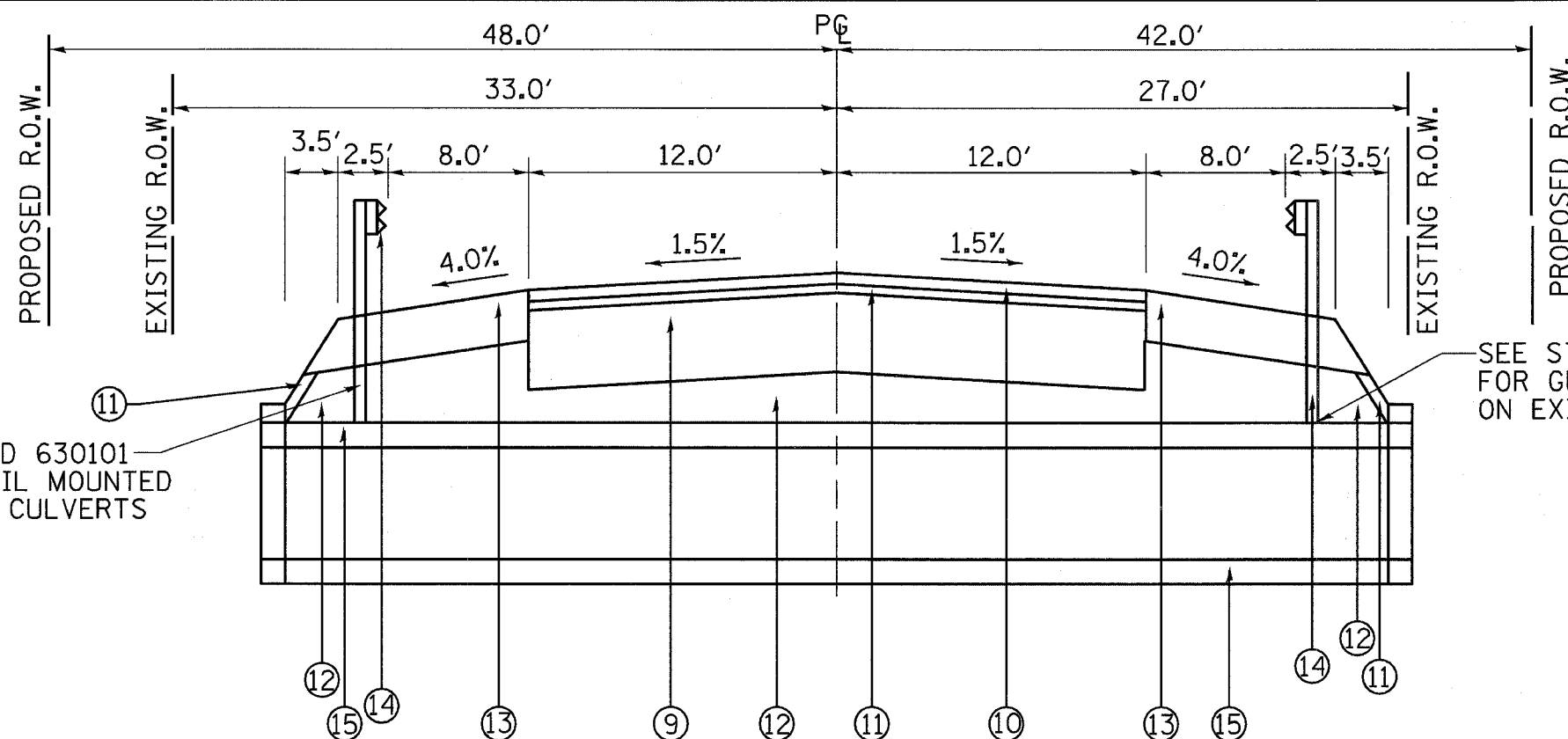


F.A.P. RTE.	SECTION	COUNTY	TOTAL SHEETS	SHEET NO.
066	21 (B&G) R	McHENRY	66	8
STA.		TO STA.		
FED. ROAD DIST. NO.		ILLINOIS FED. AID PROJECT		

#62391



SEE STANDARD 630101 FOR GUARDRAIL MOUNTED ON EXISTING CULVERTS

SEE STANDARD 630101 FOR GUARDRAIL MOUNTED ON EXISTING CULVERTS

**TYPICAL SECTION LEGEND**

- ⑨ -PROPOSED PORTLAND CEMENT CONCRETE BASE COURSE, 9"
- ⑩ -PROPOSED BITUMINOUS CONCRETE SURFACE COURSE, SUPERPAVE, MIX "D", N50, 1 1/2"
- ⑪ -PROPOSED LEVELING BINDER (MACHINE METHOD), SUPERPAVE, N50, 1 1/2"
- ⑫ -PROPOSED SUB-BASE GRANULAR MATERIAL, TYPE B 4" VARIES 14" TO 21" OVER CULVERTS, PAID AS 4"
- ⑬ -PROPOSED BITUMINOUS SHOULDERS SUPERPAVE 10"
- ⑭ -PROPOSED STEEL PLATE BEAM GUARD RAIL, TYPE B
- ⑮ -PROPOSED PRECAST CONCRETE BOX CULVERT

**CULVERT**  
**U.S. ROUTE 14 OVER LAWRENCE CREEK**  
**STA. 106+87.25 TO STA. 107+12.75**  
**STA. 109+83.4 TO STA. 110+16.6**

**BITUMINOUS MIXTURE REQUIREMENTS**

MIXTURE USES	AC/PG	RAP MAX	DESIGN AIR VOIDS
BITUMINOUS CONCRETE SURFACE COURSE, SUPERPAVE, MIX "C", N50 (DRIVEWAYS, MEDIAN)	PG 64-22	15%	4% @ 50 GYR
BITUMINOUS CONCRETE SURFACE COURSE, SUPERPAVE, MIX "D", N50	PG 64-22	15%	4% @ 50 GYR
BITUMINOUS SHOULDERS, SUPERPAVE (BITUMINOUS BASE COURSE, SUPERPAVE)	PG 58-22	50%	2% @ 30 GYR
TEMPORARY PAVEMENT	PG 58-22	50%	2% @ 50 GYR
LEVELING BINDER (MACHINE METHOD) SUPERPAVE N50 (BINDER COURSE US 14)	PG 64-22	15%	4% @ 50 GYR
BINDER, IL-19mm (PAVEMENT PATCHING)	PG 64-22	15%	4% @ 70 GYR
BITUMINOUS BASE COURSE, SUPERPAVE (DRIVEWAYS)	PG 58-22	50%	2% @ 50 GYR

NOTE: THE UNIT WEIGHT USED TO CALCULATE BITUMINOUS MIX QUANTITIES IS 112 LBS./SQ YD/INCH.

REVISIONS	
NAME	DATE
KWN	3-31-05

ILLINOIS DEPARTMENT OF TRANSPORTATION  
 U.S. ROUTE 14 OVER LAWRENCE CREEK  
**TYPICAL SECTIONS PROPOSED**

SCALE: NTS  
 DRAWN BY CLG  
 CHECKED BY JJD  
 DATE: 2-07-05



3287TYP2.DGN